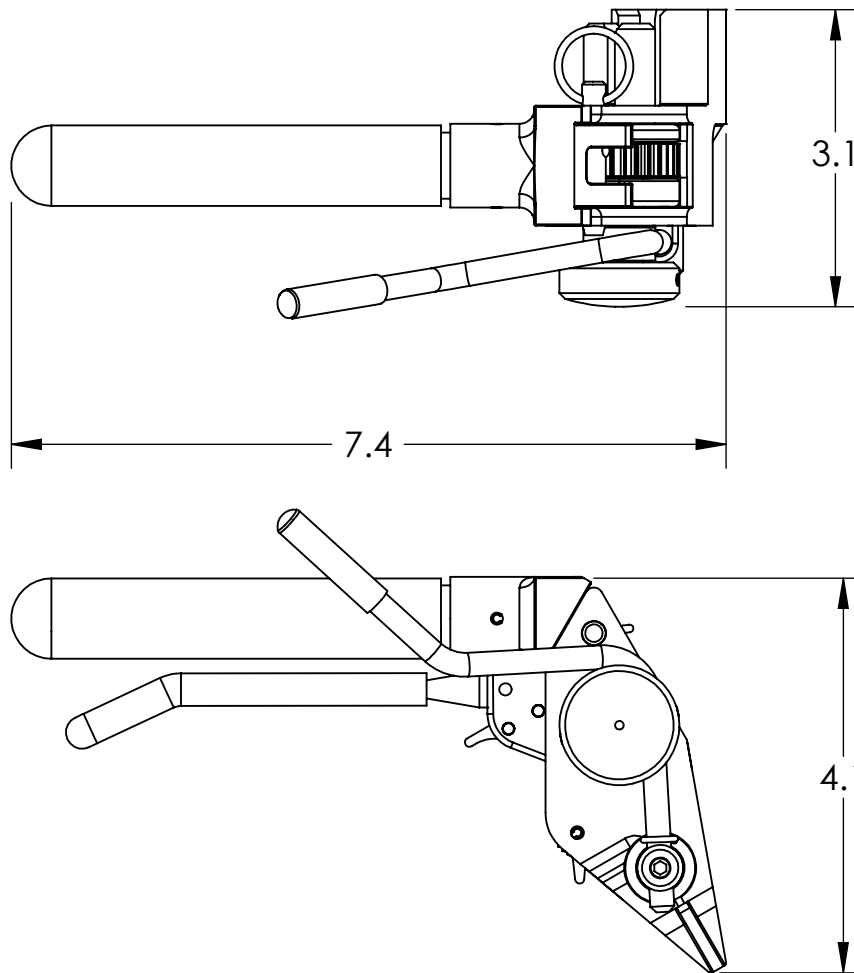


CUSTOMER SPECIFICATION DRAWING



NOTES:

1. BOX CONTENTS: TOOL AND INSTRUCTION SHEET.
2. WEIGHT: 2.60 LBS.
3. MATERIAL AND FINISH COMPLIES WITH EUROPEAN UNION RESTRICTION OF HAZARDOUS SUBSTANCES DIRECTIVE 2002/95/ED (RoHS).

ABOVE SPECIFICATION CERTIFIED BY: _____ DATE: _____

TITLE: _____

UNLESS OTHERWISE NOTED:
DIMENSIONS ARE IN INCHES
AFTER FINISH

TOLERANCES:
.X ±0.100
.XX ±0.020
.XXX ±0.005
.XXXX ±0.001
ANGLES ±0.5°

BAND-IT®

A unit of **IDEX** Corporation
P.O. Box 16307
Denver, Colorado U.S.A.

PROPRIETARY AND CONFIDENTIAL

THIS DRAWING WITH ALL
CONTENTS IS PROPERTY OF
BAND-IT-IDEX, INC.
REPRODUCTION, DISCLOSURE OR
MFG. OF MATTER SHOWN IS
PROHIBITED WITHOUT WRITTEN
PERMISSION.
DO NOT SCALE DRAWING

TITLE:

BANTAM TOOL

DWG. NO.

GRC075

REV -

SHEET 2 OF 2