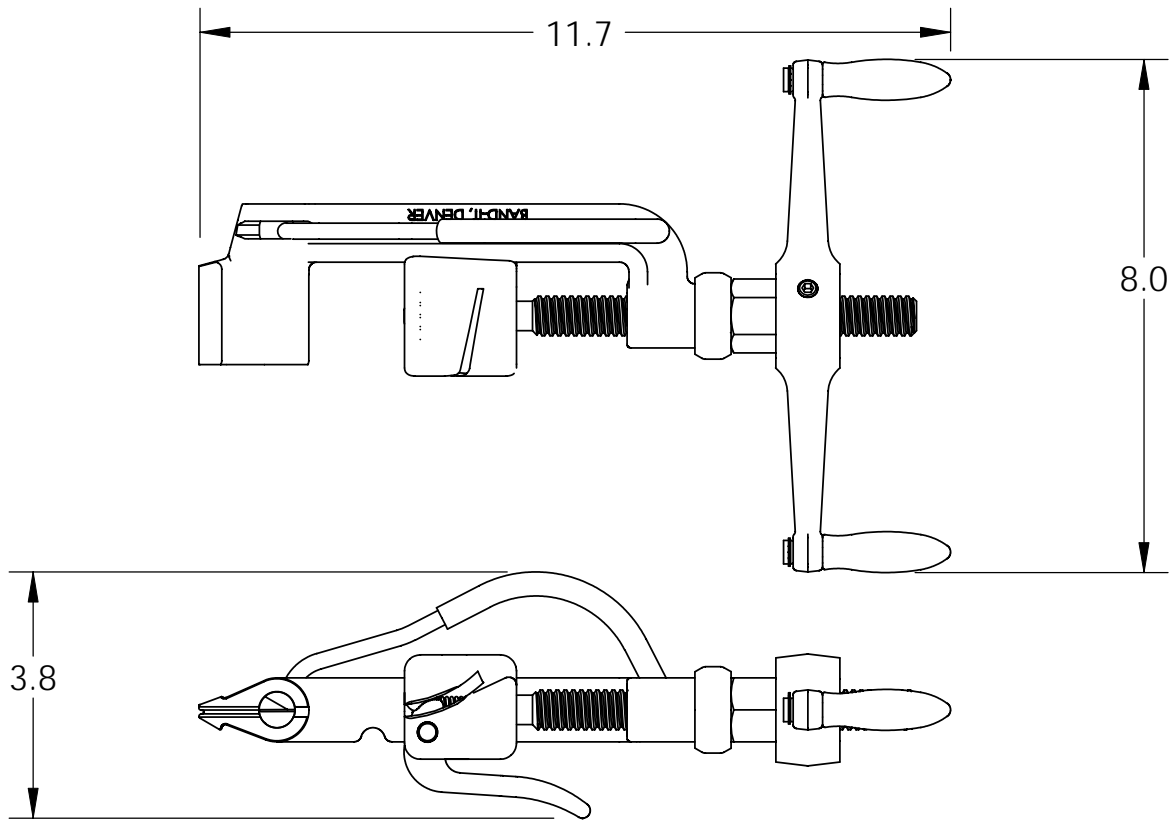


**CUSTOMER SPECIFICATION DRAWING**



**NOTES:**

1. BOX CONTENTS: TOOL AND INSTRUCTION SHEET
2. WEIGHT: 4.88 LBS
3. MATERIAL AND FINISH COMPLIES WITH EUROPEAN UNION RESTRICTION OF HAZARDOUS SUBSTANCES DIRECTIVE 2002/95/ED (RoHS)

ABOVE SPECIFICATION CERTIFIED BY: \_\_\_\_\_ DATE: \_\_\_\_\_

TITLE: \_\_\_\_\_

UNLESS OTHERWISE NOTED:  
DIMENSIONS ARE IN INCHES  
AFTER FINISH

TOLERANCES:  
.X ..... ±0.100  
.XX ..... ±0.020  
.XXX ..... ±0.005  
.XXXX ..... ±0.001  
ANGLES ..... ±0.5°

**BAND-IT**®

A unit of ~~DEX~~ Corporation  
P.O. Box 16307  
Denver, Colorado U.S.A.

**PROPRIETARY AND CONFIDENTIAL**

THIS DRAWING WITH ALL  
CONTENTS IS PROPERTY OF  
BAND-IT. REPRODUCTION,  
DISCLOSURE OR MFG.  
OF MATTER SHOWN IS PROHIBITED  
WITHOUT WRITTEN PERMISSION.

DO NOT SCALE DRAWING

TITLE:

HEAVY DUTY TOOL, BOXED

DWG. NO.

GRC003

REV -

SHEET 2 OF 2