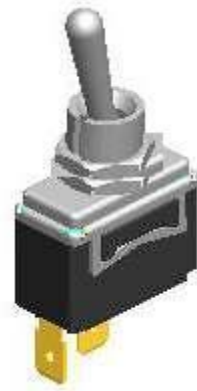


Product Information Sheet

Grainger Item No. 2LMZ1
 Manufacturer's Model No. HY29 I
 Description Toggle Switch
 Contact Form SPST
 Function (On) / Off
 Switch type Momentary ON



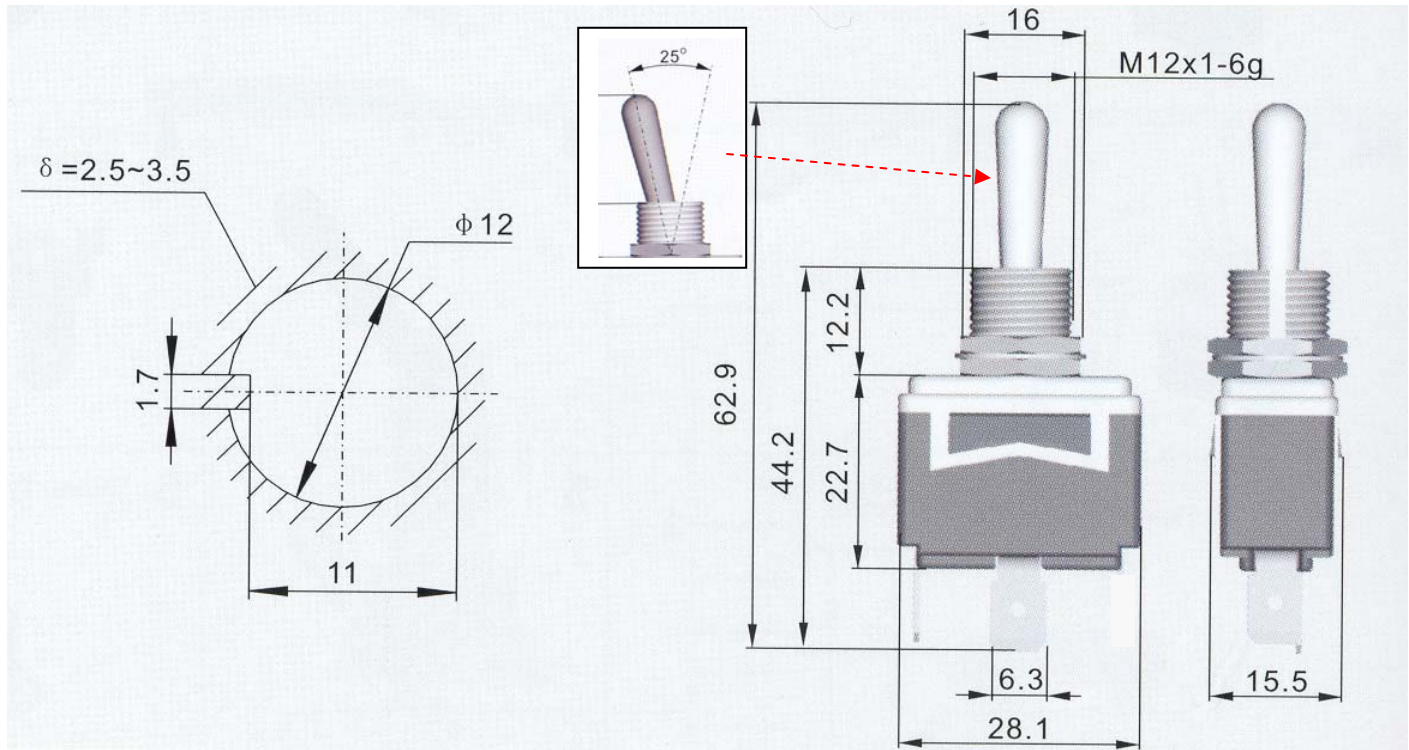
Electrical Specifications

Amp Rating 20 A @ 125 VAC
 15 A @ 277 VAC
 Horsepower 1.5HP @ 125 - 277 VAC
 Standards UL, cUL (E200089), TUV, CE

Mechanical Specifications

Operating Cycles 50,000
 Number of Connections 2
 Terminal Type 6.3 mm Tab
 Mounting Type Panel
 Mounting Hole Size 1/2"
 Operating Temperature 85°C

Switch Function
 (ON)-OFF



All dimensions are in mm