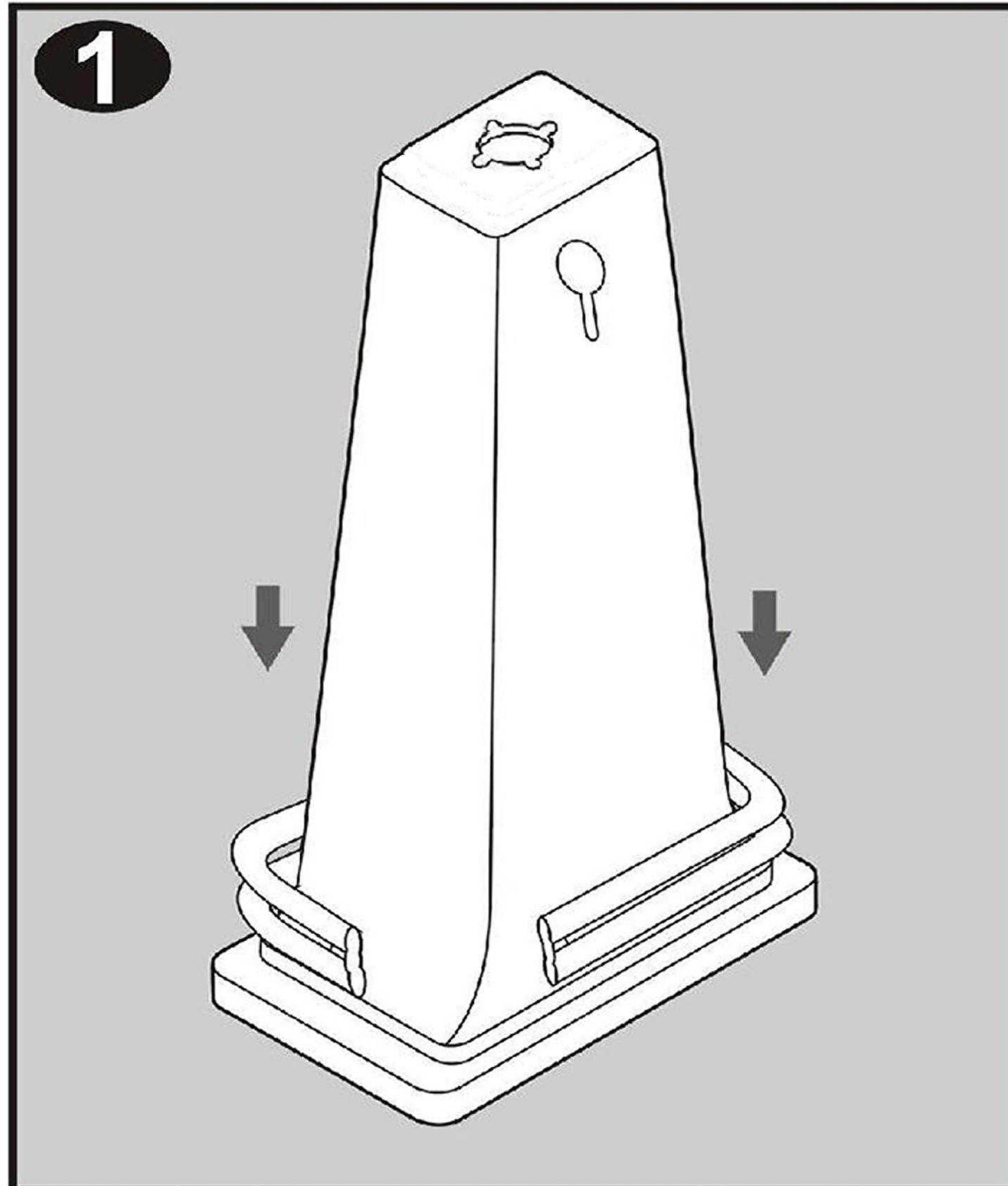
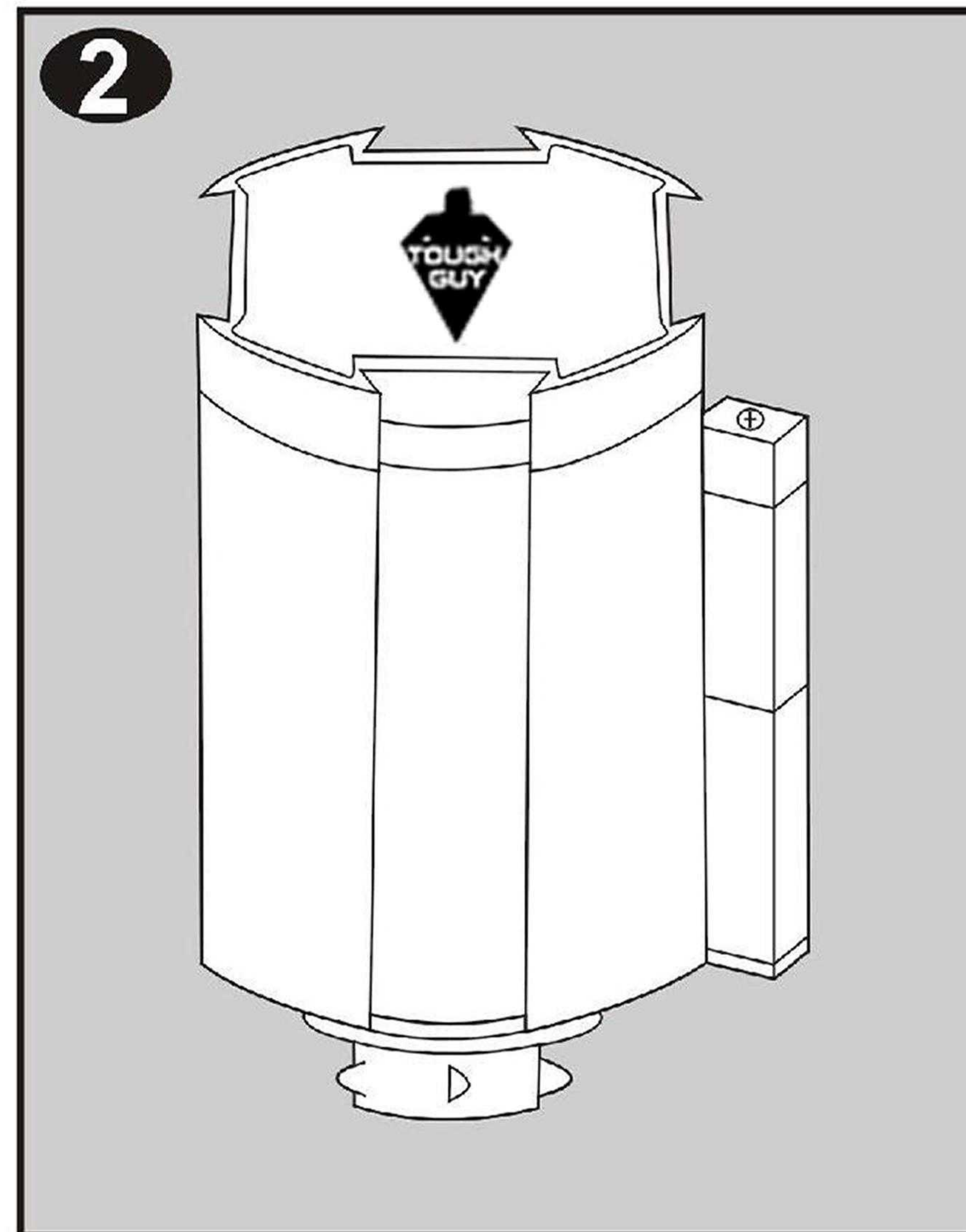




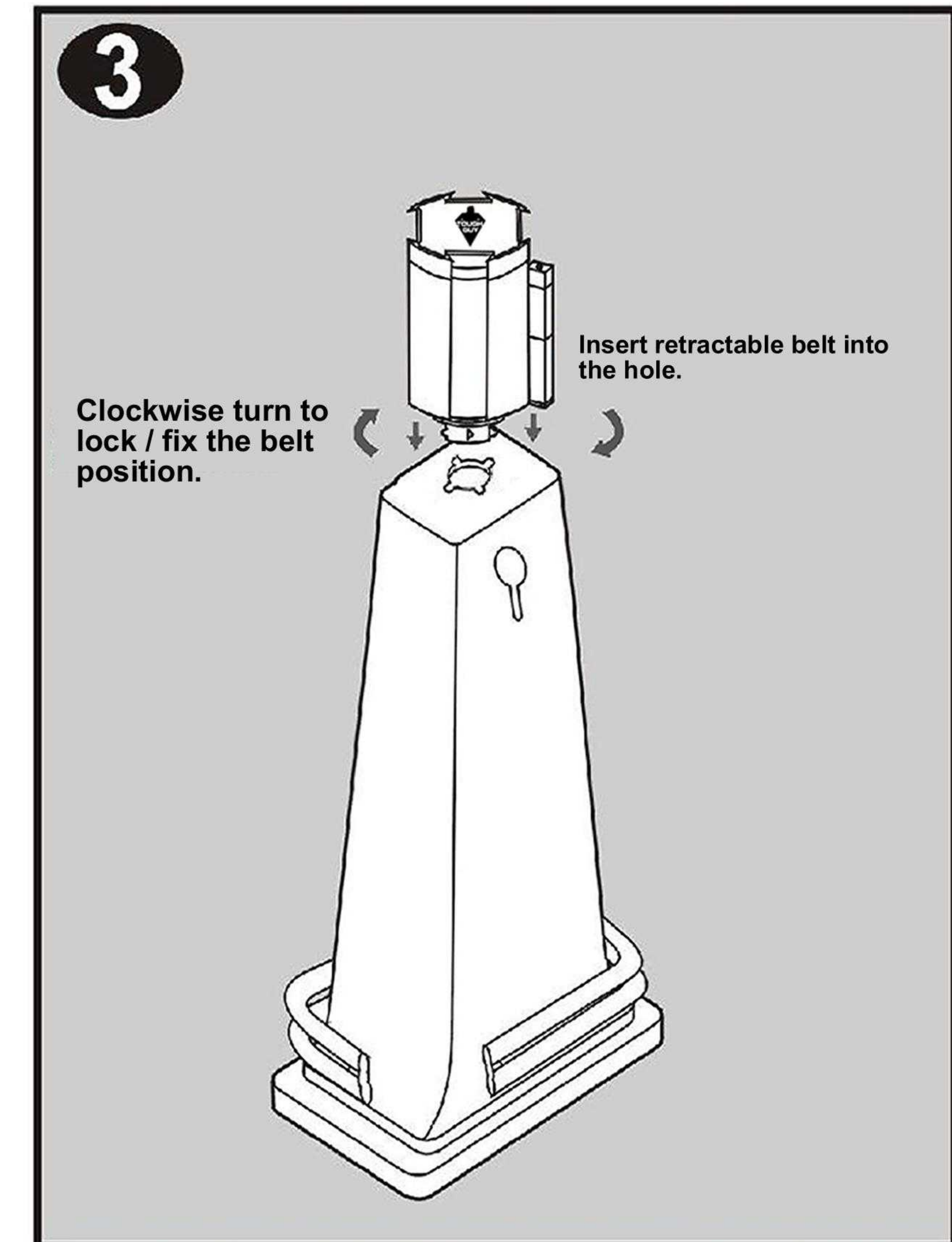
2LEC8 – Cone Barricade System



1
Insert the 20 lb. weight ring from the top of the cone to the bottom of the cone slowly and gently.



2
Retractable Belt.



3
Insert the retractable belt assembly into the top hole of the cone and turn it approximately 1/4 turn clockwise to lock it in place.