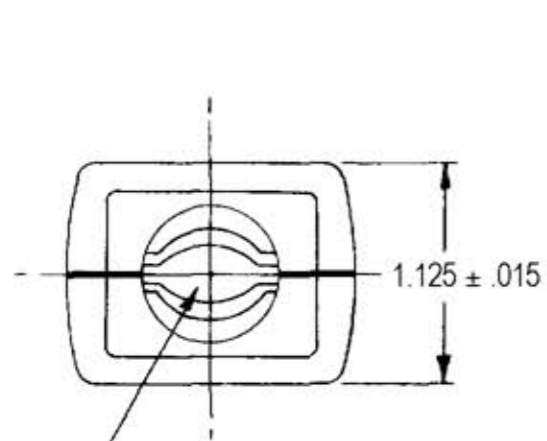
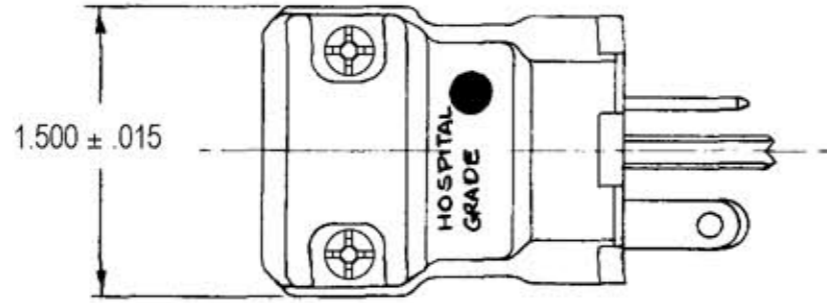
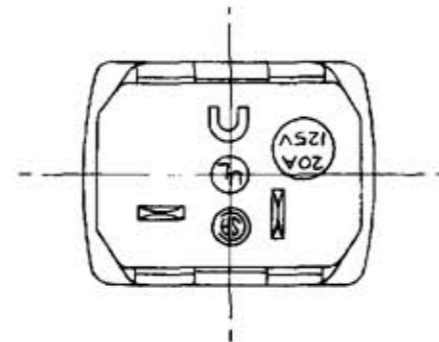
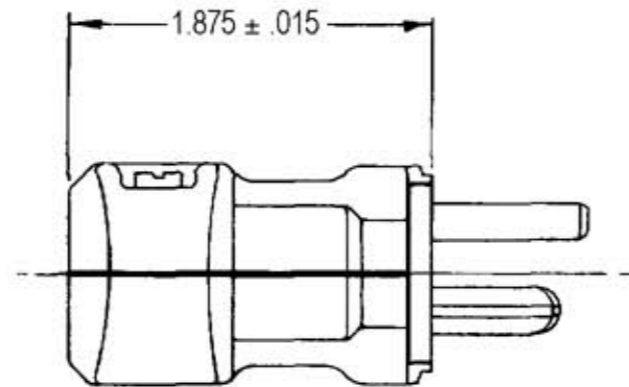


M-6100 2



CORD CLAMPS TAKE CORDS FROM Ø.453 TO .719



LIST OF PARTS		
DESCRIPTION	MATERIAL	FINISH
HOUSING	NYLON	WHITE
CONTACT BLADES	BRASS	
WIRE CLAMPS	STEEL	NICKEL PL.
BINDING SCREWS	STEEL	1-WHITE 1-COPPER
HEX. BIND'G. SCREW	STEEL	GREEN
CORD CLAMP SCR'S	STEEL	YELLOW CHRO.

2	CONVERTED ALL DIMS TO 3 PL DECIMAL & ADDED TOL, REVD VIEWS TO SHOW TRI-DRIVE SCREWS PER DCN #7773. AMZ	DB	7-2-00
1	ROTATES LETTERING 180° HORIZONTAL FINISH UNDER PLUG	CB	9-28-02 A-J-L
SYM	REVISIONS DCN 1436	APP	DATE

CAT. NO. HBL8364V

TITLE
HOSPITAL GRADE 20A. 125V.
3 WIRE GROUNDING DEAD FRONT
NYLON VALISE PLUG

TOLERANCES UNLESS OTHERWISE SPECIFIED FRACTIONS ± 1/64 DECIMALS ± .005 ANGLES ± 2°	HARVEY HUBBELL, INC. BRIDGEPORT, CONN.	
	DR. BY <i>KF</i>	APP. BY
	TR. BY	SCALE FULL
	CHK'D. BY	DATE 10-6-07

CODE 74545

DIMENSION SHEET FOR CAT. NO. HBL8364V

REPAIRABLE NON-REPAIRABLE

B
M-6100
2