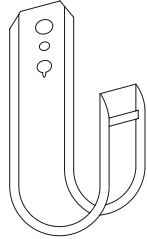
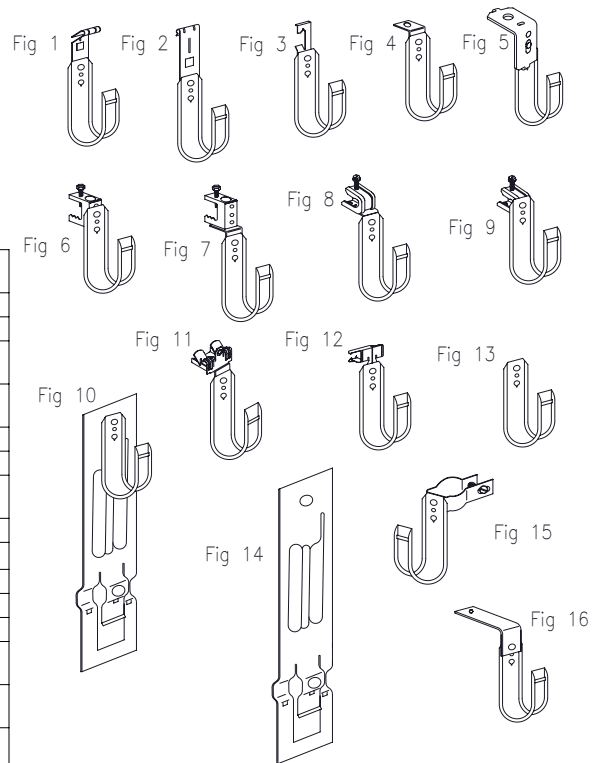


CAT 12

Category 5 and Higher, Cable Support Clip



Pre-Riveted Factory Assemblies



Note: Do not exceed recommended cable quantities per fastener

Part Number	Article Number	Fig.	Description
CAT12AF14	181840	1	1/16" [2] thru 1/4" [6] Z Purlin
CAT12VF14	181800	2	1/16" [2] thru 1/4" [6] vertical flange
CAT124Z34	181240	3	#12 thru 1/4" [6] wire, plain or threaded rod & 1/8" [3] thru 3/8" [10] flange
CAT126Z34	181270		3/8" [10] plain or threaded rod & 3/8" [10] thru 9/16" [10] flange
CAT128Z34	N/A		1/2" [13] & 5/8" [16] threaded rod
CAT12AB	181900	4	Angle Bracket
CAT12CPNA	N/A	16	Angle bracket with pin driven mounting hole
CAT12BC	N/A	6	1/8" [3] thru 1/2" [13] flange
CAT12BCB	N/A	7	1/8" [3] thru 1/2" [13] flange, rotates 360°
CAT12BC200B	181430	8	1/8" [3] thru 5/8" [16] flange, rotates 360°
CAT12BC200	181400	9	1/8" [3] thru 5/8" [16] flange
CAT12TS	181200	10	Support from Tee Grid
CAT1224	181650	11	1/8" [3] thru 1/4" [6] flange, bottom mount rotates 360°
CAT1258	181660		5/16" [8] thru 1/2" [13] flange, bottom mount rotates 360°
CAT12912	181670		1/2" thru 3/4" flange, bottom mount rotates 360°
CAT1224SM	181510	12	1/8" [3] thru 1/4" [6] flange
CAT1258SM	181520		5/16" [8] thru 1/2" [13] flange
CAT12912SM	181530		1/2" [13] thru 3/4" [19] B1 flange
CAT12	181100	13	Hold 4-pair UTP cables: 16 Cat. 5/5e or 16 fiber optic cables or 10 Cat. 6
CAT12S	181170	14	Support from Tee Grid
CAT12CD1B	181950	15	J-Hook to 3/4" & 1" round or square pedestal
CAT12AFAB3	N/A	5	Angle bracket with pin driven mounting hole

For use with Data Communication Cables only.

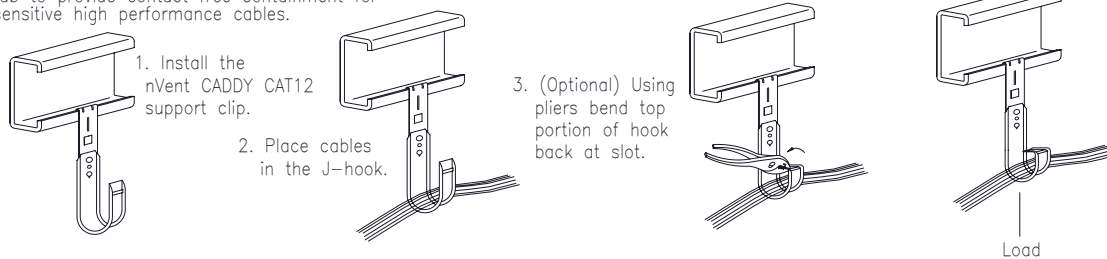
The nVent CADDY CAT12 support clip holds 4-pair UTP cables: 16 Cat.5/5e or 16 fiber optic cables or 10 Cat.6.

Provides strain relief and routes cables so bend radius conforms to EIA/TIA-568-A standard.

Complies with UL, cUL, and NEC requirements for structured cabling systems.

Complies with 1997 EIA/TIA 569-A.

The nVent CADDY CAT12 is equipped with a bend back tab to provide contact free containment for sensitive high performance cables.



WARNING:

- nVent products shall be installed and used only as indicated in nVent product instruction sheets and training materials. Instruction sheets are available at www.nVent.com and from your nVent customer service representative.
- nVent products must never be used for a purpose other than the purpose for which they were designed or in a manner that exceeds specified load ratings.
- All instructions must be completely followed to ensure proper and safe installation and performance.
- Improper installation, misuse, misapplication or other failure to completely follow nVent's instructions and warnings may cause product malfunction, property damage, serious bodily injury and/or death, and void your warranty.
- Products that are manufactured using spring steel components shall be used only in a non-corrosive indoor environment.
- All pipe supports, hangers, intermediate components and structural attachments must ONLY be used as described herein and are NEVER to be used for any other purpose.

NOTE: All load ratings are for static conditions and do not account for dynamic loading such as wind, water or seismic loads, unless otherwise noted.

The customer is responsible for:

- Conformance to all governing codes.
- The integrity of structures to which the products are attached, including their capability of safely accepting the loads imposed, as evaluated by a qualified engineer.
- Using appropriate industry standard hardware as noted above.

SAFETY INSTRUCTIONS:

All governing codes and regulations and those required by the job site must be observed. Always use appropriate safety equipment such as eye protection, hard hat, and gloves as appropriate to the application.

nVent, nVent CADDY, nVent ERICO Cadweld, nVent ERICO Critec, nVent ERICO, nVent ERIFLEX, and nVent LENTON are owned by nVent or its global affiliates. All other trademarks are the property of their respective owners. nVent reserves the right to change specifications without prior notice.

TECHNICAL SUPPORT:
www.nVent.com

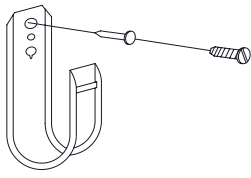
CFS246_N

1 OF 4

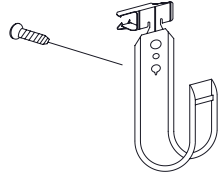
© 1997-2019 nVent All Rights Reserved



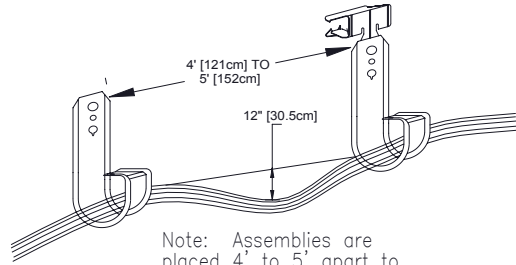
Create custom field assemblies as your needs require.



1. Nail or screw the J-hook directly to the structure.



2. Use the built-in thread impression for quick field assembly to a wide variety of supporting nVent CADDY Fasteners.



Note: Assemblies are placed 4' to 5' apart to keep the cable from sagging more than 12" at mid-span.

C & Z Purlin

1. Place fastener against flange. Tap straight down. (1/16" [2mm] to 1/4" [6mm] flange or C Purlin)

2. Place cable into clip. Secure if desired.

* nVent CADDY Part Number VAFT may be used for easy installation of vertical and angled flange assemblies, from the floor.

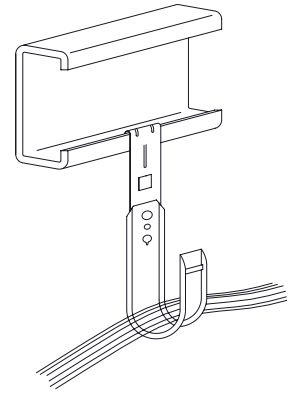
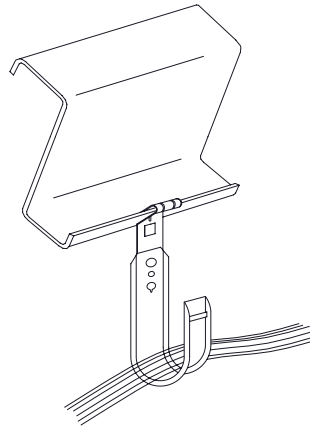


Fig 1

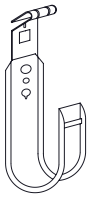
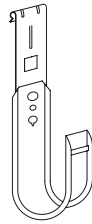


Fig 2



Part Number	Article Number	Fig.	Description
CAT12AF14	181840	1	1/16" [2] thru 1/4" [6] Z Purlin
CAT12VF14	181800	2	1/16" [2] thru 1/4" [6] vertical flange

Drop Wires, Rods and Flanges

1. Squeeze fastener.
2. Connect top edge over wire.
3. Twist into place.
4. Release.

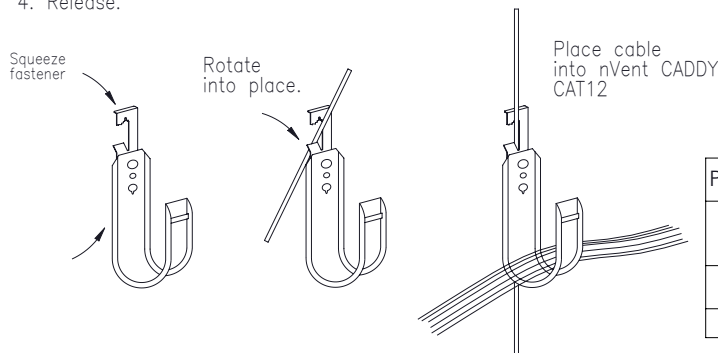
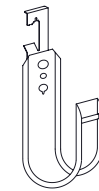


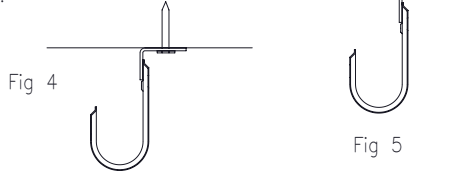
Fig 3



Part Number	Article Number	Fig.	Description
CAT124Z34	181240	3	#12 thru 1/4" [6] wire, plain or threaded rod & 1/8" [3] thru 3/8" [10] flange
CAT126Z34	181270		3/8" [10] plain or threaded rod & 3/8" [10] thru 9/16" [10] flange
CAT128Z34	N/A		1/2" [13] & 5/8" [16] threaded rod

Angle Brackets

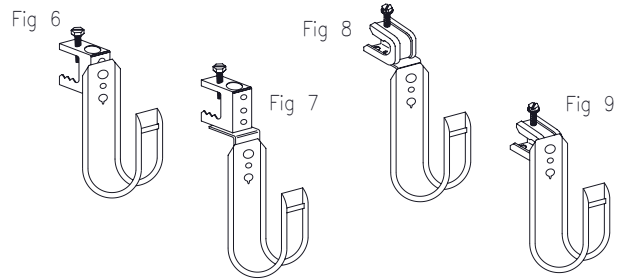
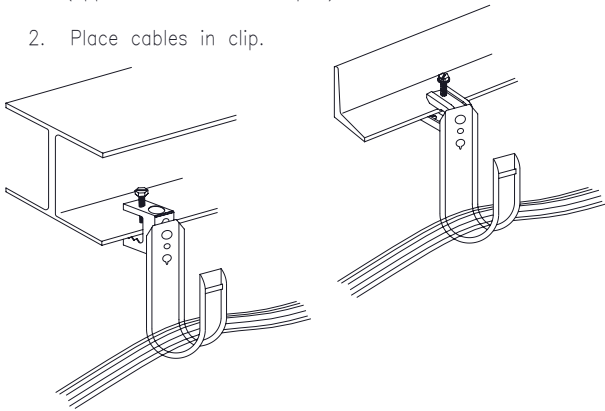
1. Position nVent CADDY CAT12CPNA or nVent CADDY CAT12AB on joist, wall or concrete.
2. Secure with appropriate tool.



Part Number	Article Number	Fig.	Description
CAT12AB	181900	4	Angle Bracket
CAT12AFAB3	N/A	5	Angle bracket with pin driven mounting hole
CAT12CPNA	N/A	16	Angle bracket with pin driven mounting hole

Beam Clamp

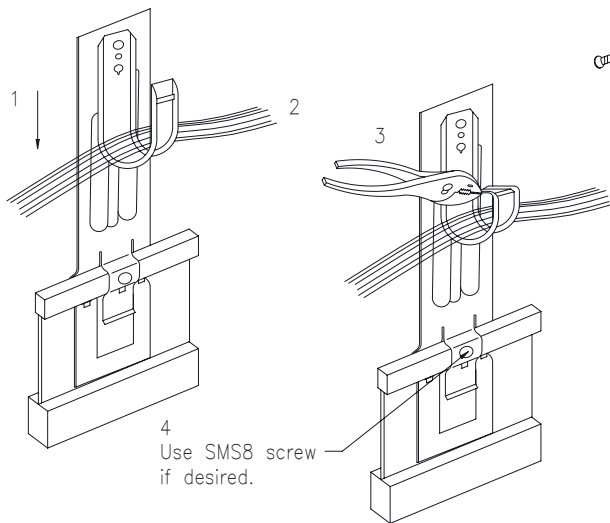
1. Place on beam and tighten screw securely, (Approx. 20 in. lbs. torque.)
2. Place cables in clip.



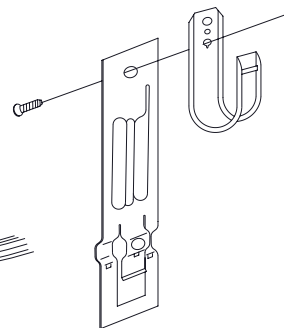
Part Number	Article Number	Fig.	Description
CAT12BC	N/A	6	1/8" [3] thru 1/2" [13] flange
CAT12BCB	N/A	7	1/8" [3] thru 1/2" [13] flange, rotates 360°
CAT12BC200B	181430	8	1/8" [3] thru 5/8" [16] flange, rotates 360°
CAT12BC200	181400	9	1/8" [3] thru 5/8" [16] flange

Support From Tee Grid

1. Push nVent CADDY CATTS or nVent CADDY CAT12TS down on to tee grid.
2. Install cables.
3. To prevent cables from slipping when ceiling tiles are moved, use pliers to bend top portion of hook back at slot.
4. Screw to Tee Grid if desired.



Pre-Riveted
Fig 10



Or use 1/4-20 x 1/2" screw

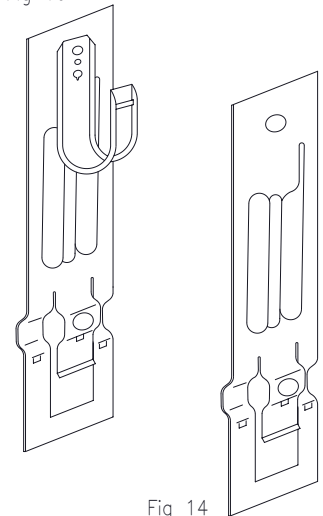
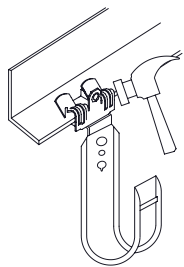


Fig 14
1/4-20 x 1/2" Screw

Part Number	Article Number	Fig.	Description
CAT12TS	181200	10	Support from Tee Grid
CATTS	181170	14	Support from Tee Grid using 1/4-20 x 1/2" screw

Bottom Mount Flange Clips

1. With hammer, tap clip to flange.



2. Place cables in clip.

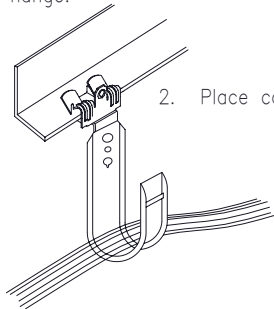
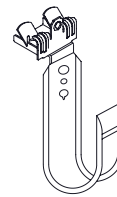


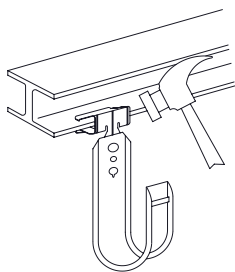
Fig 11



Part Number	Article Number	Fig.	Description
CAT1224	181650	11	1/8" [3] thru 1/4" [6] flange, bottom mount rotates 360°
CAT1258	181660		5/16" [8] thru 1/2" [13] flange, bottom mount rotates 360°
CAT12912	181670		1/2" thru 3/4" flange, bottom mount rotates 360°

Side Mount Flange Clips

1. With hammer, tap clip to flange.



2. Place cables in clip.

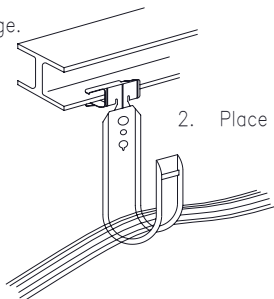
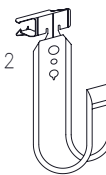


Fig 12



Part Number	Article Number	Fig.	Description
CAT1224SM	181510	12	1/8" [3] thru 1/4" [6] flange
CAT1258SM	181520		5/16" [8] thru 1/2" [13] flange
CAT12912SM	181530		1/2" [13] thru 3/4" [19] B1 flange

Floor Pedestal Support

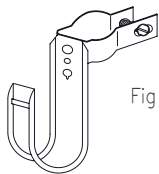
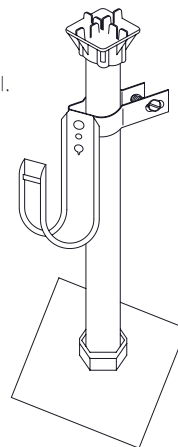


Fig 15

1. Position clip on pedestal.



2. Tighten screw thru clip with 75 in-lb torque.

3. Place cables in J-Hook.

Part Number	Article Number	Fig.	Description
CAT12CD1B	181950	15	J-Hook to 3/4" & 1" round or square pedestal