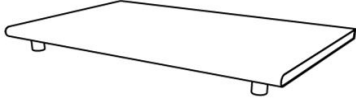

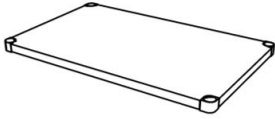
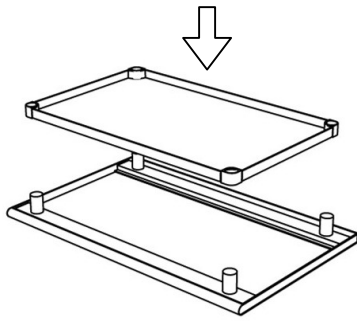
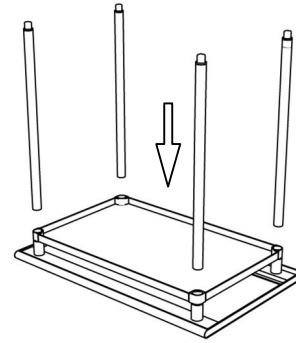


OPERATING INSTRUCTIONS & PARTS MANUAL (OIPM) Stainless Steel Work & Utility Tables

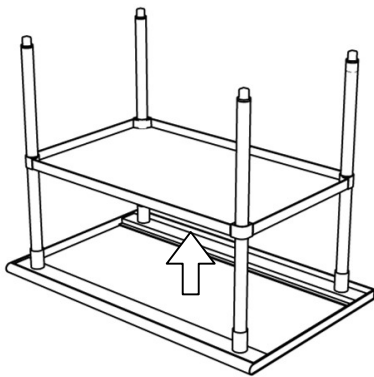
A	B	C
		
TOP	LEG	UNDERSHELF
1 pc.	4 pcs.	1 pc.



1. Put the undershelf (C) on the sockets top on top (A), make sure line up.



2. Insert 4 legs (B) into sockets. Fix them with the set screws (not too tight).



3. Lift the undershelf. Tighten all of the set screws.



4. The table is now ready for use.

NOTE: Product images are shown for display purposes only and may not be representative of the final product.

Stainless Steel Work & Utility Tables					
Units include :	1- Stainless Steel top. 2- Galvanized tubular legs with adjust foot. 3- Galvanized adjustable undershelf. 4- 1 Bag of mounting hardware(hex and set screw)				
SKU #	Top length (in.)	Top width (in.)	Table adjustable height (in.)	*Mounting hardware	Maximum capacity (Lbs.)
2KRD6	48	30	34.5-35.5	Set screws & Allen Key	600
2KRD7	72	30	34.5-35.5	Set screws & Allen Key	600
2KRD8	48	30	34.5-35.5	Set screws & Allen Key	600
2KRD9	72	30	34.5-35.5	Set screws & Allen Key	600
2KRE3	24	24	24	Set screws & Allen Key	600
2KRE4	30	30	24	Set screws & Allen Key	600
2KRE6	24	24	34.5-35.5	Set screws & Allen Key	600
2KRE7	48	24	34.5-35.5	Set screws & Allen Key	600
2KRE8	72	24	34.5-35.5	Set screws & Allen Key	600



Manufactured for Grainger International, Inc.
Lake Forest, IL 60045