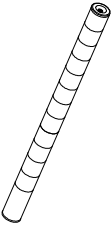
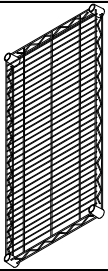
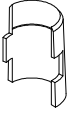
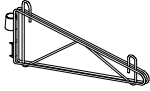
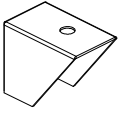
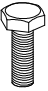


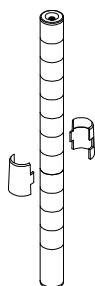
# Assembly Instructions and Parts Manual

Chrome: 2HGC9, 2HGD1 ~ 7  
Stainless Steel: 2HGF6 ~ 9, 2HGG1 ~ 4

A	B	C	D	E	F
					
Support Post with Inserts on both sides. 2 pcs	Shelf 1 pcs	Plastic Split 4 pcs	Shelf Mount Bracket 2 pcs	Metal Wall Bracket 4 pcs	Long Bolts 4 pcs

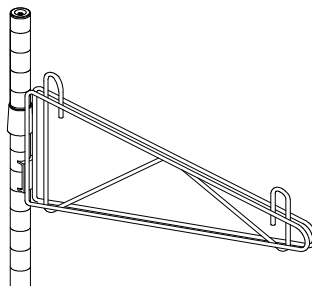
Contact your local branch for replacement or additional parts.

## I.



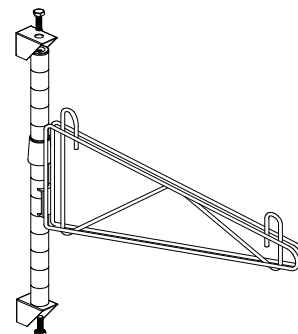
1. Select desired height, mark location of the bottom shelf on each post, and snap tapered Plastic Sleeves (C) (With tapered side facing up), to marked grooves on each support post.

## II.



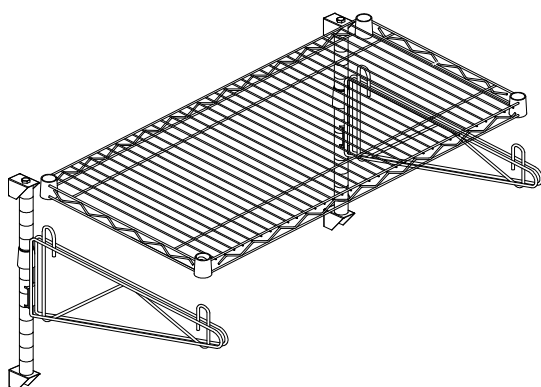
2. Place Wall Mount Bracket (D) at top of each Support Post (A) and guide down to tapered Plastic Sleeve (C). Each Shelf Mount Bracket will level others when snug over Plastic Split Sleeves (C)

## III.



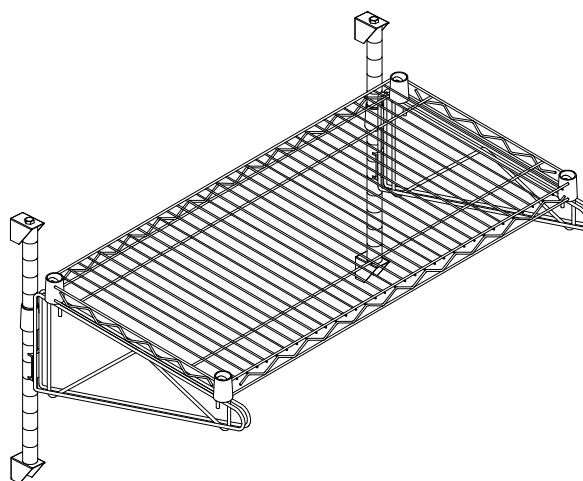
3. Measure the wall where the shelving is to be installed. Using the proper hardware (Not included) for the type of wall you are mounting to, secure the top bracket (E) as shown. Secure Both ends of support post (A) and then secure bottom bracket (E). Repeat Process with each support and bracket assembly.

## IV.



4. Place Shelf (B) on the Shelf Mount Brackets (E).

## V.



5. It is now ready for use.