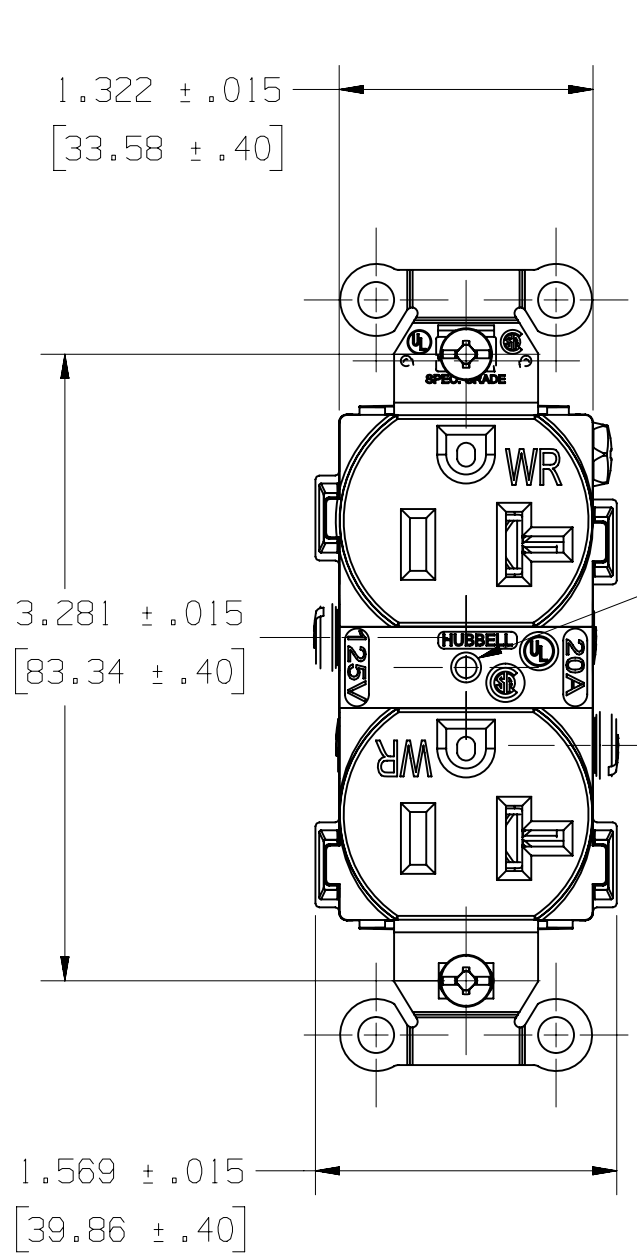
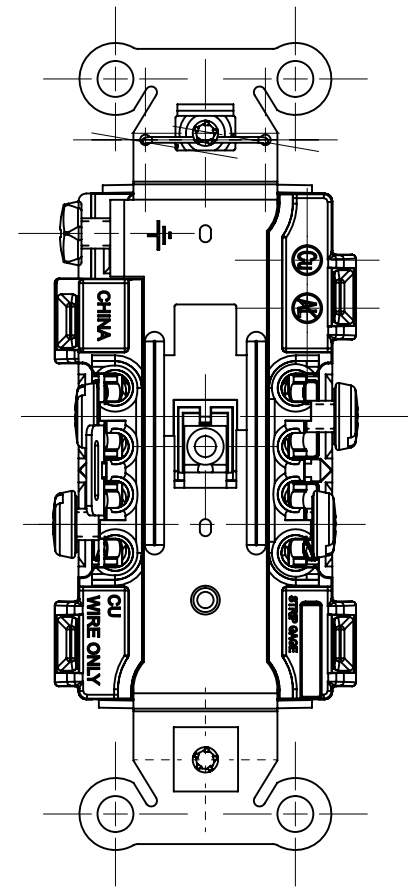
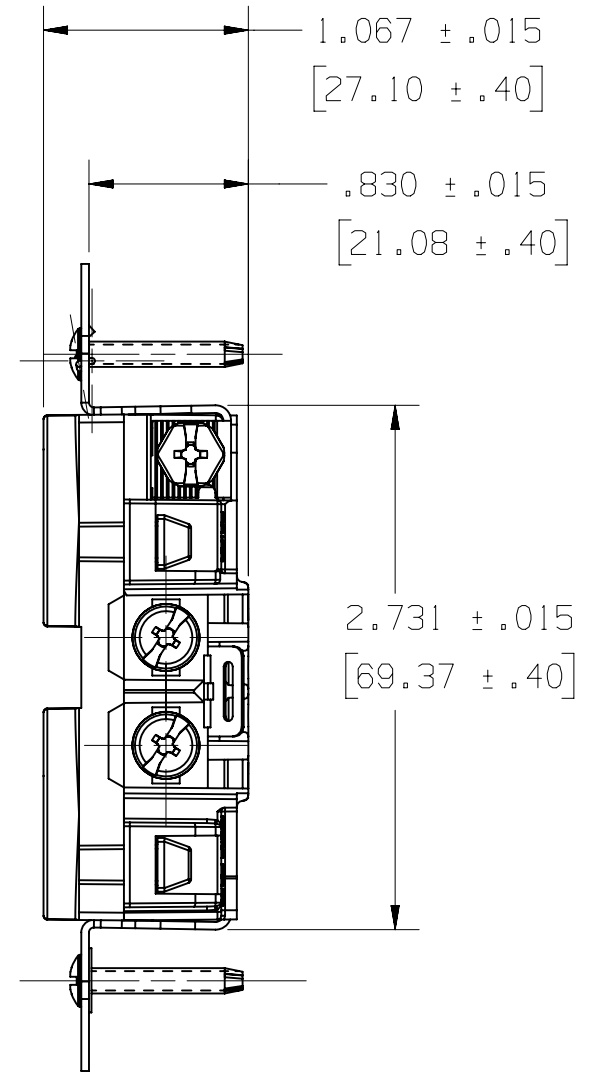


M-10852 2



#6-32



NOTES:
 1) DIMENSIONS ARE IN INCHES [MM].
 2) ALL DEVICES UL LISTED, AND CSA CERTIFIED.
 3) TERMINALS ACCOMMODATE #14-#10 AWG COPPER WIRE ONLY.

CATALOG NUMBERS

	BROWN	IVORY	GRAY	WHITE	BLACK		BLUE	LIGHT ALMOND	RED	ORANGE	OFFICE WHITE
HUBBELL	BR20WR	BR201WR	BR20GRYWR	BR20WH1WR	BR20BLKWR		BR20BLWR	BR20LAWR	BR20RWR	-----	-----

LIST OF PARTS

DESCRIPTION	MATERIAL	FINISH
TOP	NYLON 6/6	SPI A-3
BASE	NYLON 6/6	SPI A-3
LINE CONTACTS	BRASS	
GROUND CONTACTS	BRASS	
CONTACT SCREW (NEU)	S.S.	
CONTACT SCREW (HOT)	S.S.	
BRIDGE	.04 GALV STL	
GROUND SCREW	S.S.	GREEN
STAPLE	S.S.	
WASHER	PVC FILM	BLACK
MOUNTING SCREW	S.S.	

DIMENSION SHEET FOR CAT. NO.

REPAIRABLE

NON-REPAIRABLE

B

M-10852

2

2	REVISED NOTE 2 REMOVED FED SPEC, ADDED BR20BLWR & BR20RWR, REMOVED ALMOND EC 200227110910 JPO	WHD	02/25/2020
1	RELEASED PER DCN #14555 WRV		01/28/08

SYM	REVISIONS	APP	DATE
-----	-----------	-----	------

THE DESIGN AND DIMENSIONS OF THE PRODUCT SHOWN ON THIS DRAWING ARE SUBJECT TO CHANGE WITHOUT NOTICE

TITLE
 HUBBELL
 20A 125V, 2P 3W,
 SMOOTH FACE WEATHER RESISTANT
 DUPLEX RECEPT. BACK & SIDE WIRE

TOLERANCES UNLESS OTHERWISE SPECIFIED .XX = ± .01 .XXX = ± .005 ANGLES = ± 2°	WIRING DEVICE-KELLEMS HUBBELL INCORPORATED SHELTON, CT	
	DR. BY WRV	APP. BY
	TR. BY	SCALE 1:1
	CHK. BY	DATE 1/08