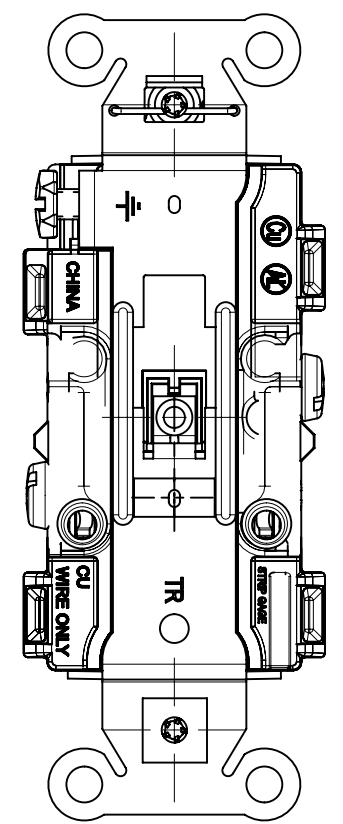
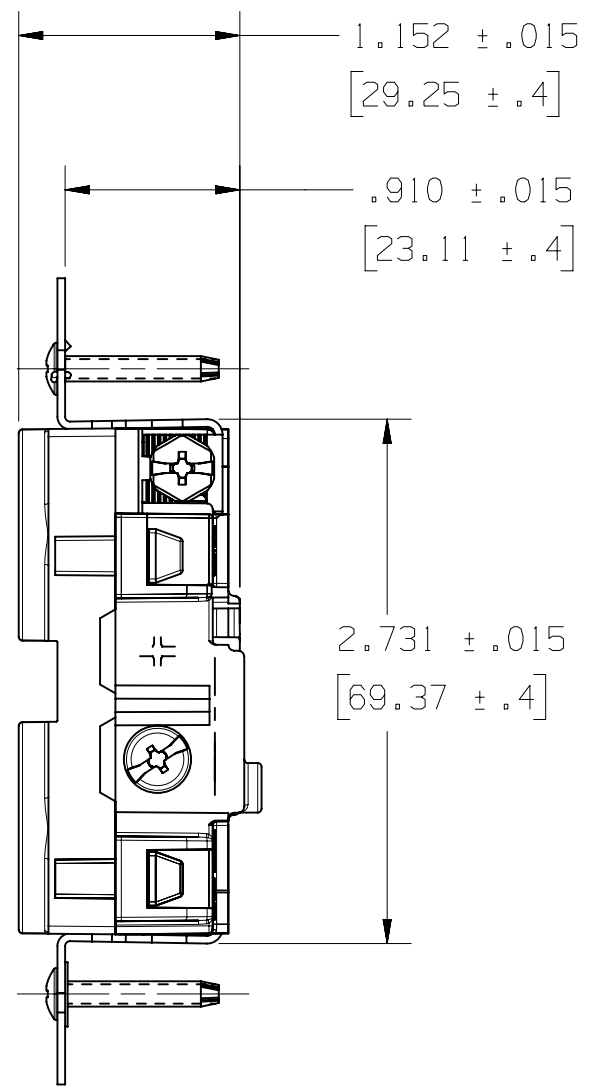
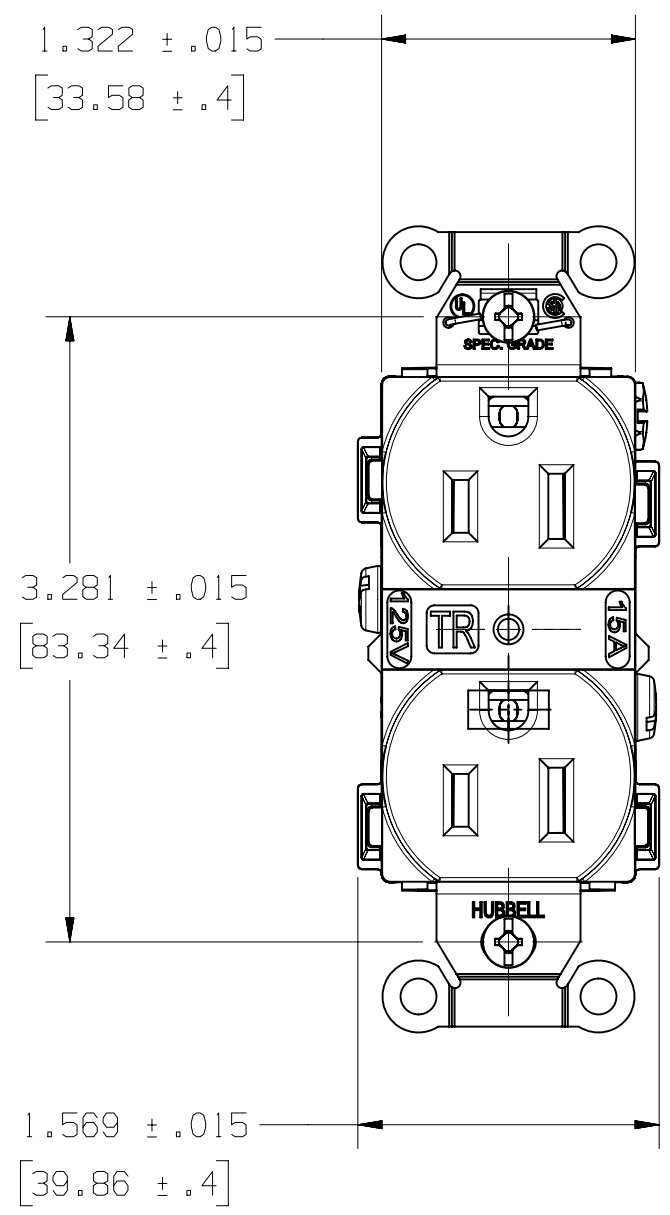


M-10511 5



NOTES:
 1) DIMENSIONS ARE IN INCHES [MM].
 2) ALL DEVICES UL LISTED AND CSA CERTIFIED.
 3) TERMINALS ACCOMMODATE #14-#10 AWG COPPER WIRE ONLY.

CATALOG NUMBERS

BROWN	IVORY	GRAY	WHITE	BLACK		BLUE	LIGHT ALMOND	RED	ORANGE	OFFICE WHITE	GREEN
BR15TR	BR151TR	BR15GRYTR	BR15WH1TR	BR15BLKTR		BR15BLTR	BR15LATR	BR15RTR	-----	-----	BR15GNTR

LIST OF PARTS		
DESCRIPTION	MATERIAL	FINISH
TOP	PC	SEE TABLE
BASE	PC	BLACK
LINE CONTACTS	BRASS	
GROUND CONTACTS	BRASS	
CONTACT SCREW (NEU)	STEEL	NI PLT
CONTACT SCREW (HOT)	STEEL	
BRIDGE	.04 GALV STL	
GROUND SCREW	STEEL	GREEN
STAPLE	S.S.	
WASHER	PVC FILM	BLACK
MOUNTING SCREW	STEEL	ZINC PLT

SYM	REVISIONS	APP	DATE
5	CHG MATL TOP AND BASE TO PC, REMOVED ALMOND EC 200227110910 JPO	WHD	02/26/20
4	ADDED CATALOG No. BR15GNTR (GREEN) TO TABLE PER DCN 23477 RM	DJP	12/18/17
3	REVISED COMPONENTS PER DCN 20044 MAM	TLS	6/20/13
2	TABLE ADDED (BLUE) BR15BLTR AND (RED) BR15RTR. PER DCN 17596 SPN	DJP	4/11/11
1	RELEASED PER DCN# 14341 WRV		12/21/07

THE DESIGN AND DIMENSIONS OF THE PRODUCT SHOWN ON THIS DRAWING ARE SUBJECT TO CHANGE WITHOUT NOTICE

TITLE HUBBELL 15A 125V, 2P 3W, TAMPER RESISTANT SMOOTH FACE DUPLEX RECEPT. BACK & SIDE WIRE

TOLERANCES UNLESS OTHERWISE SPECIFIED .XX = ± .01 .XXX = ± .005 ANGLES = ± 2°	WIRING DEVICE-KELLEMS HUBBELL INCORPORATED SHELTON, CT	
	DR. BY WRV	APP. BY
	TR. BY	SCALE 1:1
	CHK. BY	DATE 3/07

DIMENSION SHEET FOR CAT. NO. REPAIRABLE NON-REPAIRABLE B M-10511 5