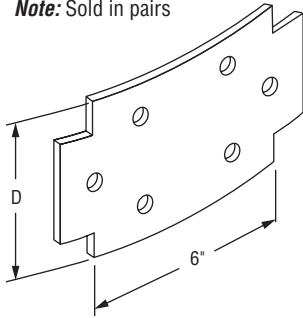


COPE CABLE TRAY COMPONENTS

Universal Curvilinear Connector [RC]

Note: Sold in pairs



11 Gage Steel, 0.125" Aluminum
 3/8"-16 spline bolts & flange nuts furnished.

Catalog No.

Load Depth	Finish	Basic No.
3"	6 (Mill Galv.)	-02RC
4"	3 (HDGAF)	-02CE
5"	4 (Alum.)	-02CV
6"	U (304SS)	-02CH -02CA

EXAMPLE: 34 -02RC for 3" load depth, aluminum, universal curvilinear connector.

Part Nos. CE, CH, and CV to be bonded if used as equipment grounding conductor.

NOTE: Hole patterns match corresponding tray. 3-hole pattern illustrated.

Heavy Duty, Mid Span Splice Plates available upon request.

Project: _____

Approval Stamp:

Architect / Engineer: _____

Date: _____ **Phone:** _____

Contractor: _____

Address: _____

Notes 1: _____

Notes 2: _____