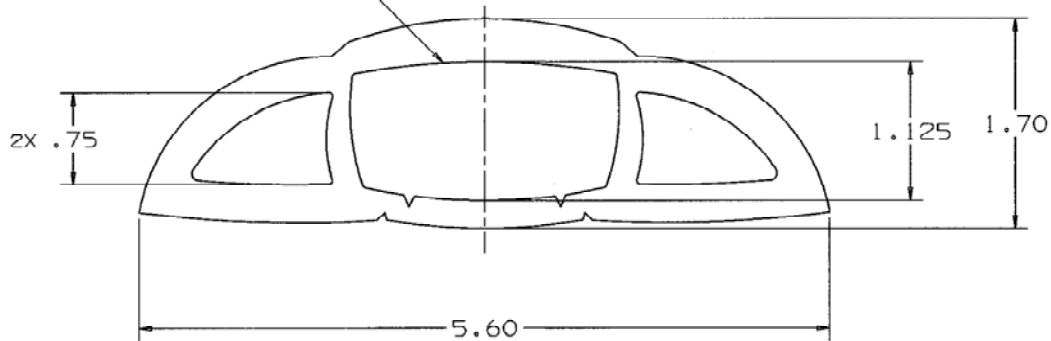


M-10568 1

CENTER CORD CAPACITY:
1.25 X 1.75



CATALOG NO.	LENGTH	COLOR	WEIGHT
FT10BK3	3'	BLACK	5.4 lbs.
FT10Y3	3'	YELLOW	5.4 lbs.
FT10BK5	5'	BLACK	9.0 lbs.
FT10Y5	5'	YELLOW	9.0 lbs.

NOTES (UNLESS OTHERWISE SPECIFIED)

- 1) MATERIAL: FLEXIBLE PVC; DUROMETER 90.
- 2) MEETS CALIFORNIA PROP. 65.

CODE 74545

LIST OF PARTS

DESCRIPTION	MATERIAL	FINISH

REPAIRABLE NON-REPAIRABLE

1	RELEASED PER DCN #13829, JMN	SL	4/23/07
SYM	REVISIONS	APP	DATE

THE DESIGN AND DIMENSIONS OF THE PRODUCT SHOWN ON THIS DRAWING ARE SUBJECT TO CHANGE WITHOUT NOTICE

TITLE
MEGADUCT-FT10

TOLERANCES UNLESS OTHERWISE SPECIFIED FRACTIONS ± 1/64 DECIMALS ± .005 ANGLES ± 2°	WIRING DEVICE-KELLEMS HUBBELL INCORPORATED BRIDGEPORT, CT	
	DR. BY JMN	APP. BY SL
	TR. BY	SCALE 1 : 1
	CHK'D BY SL	DATE 4/23/07

DIMENSION SHEET FOR C.A.T. NO. SEE TABLE
 B M-10568 1