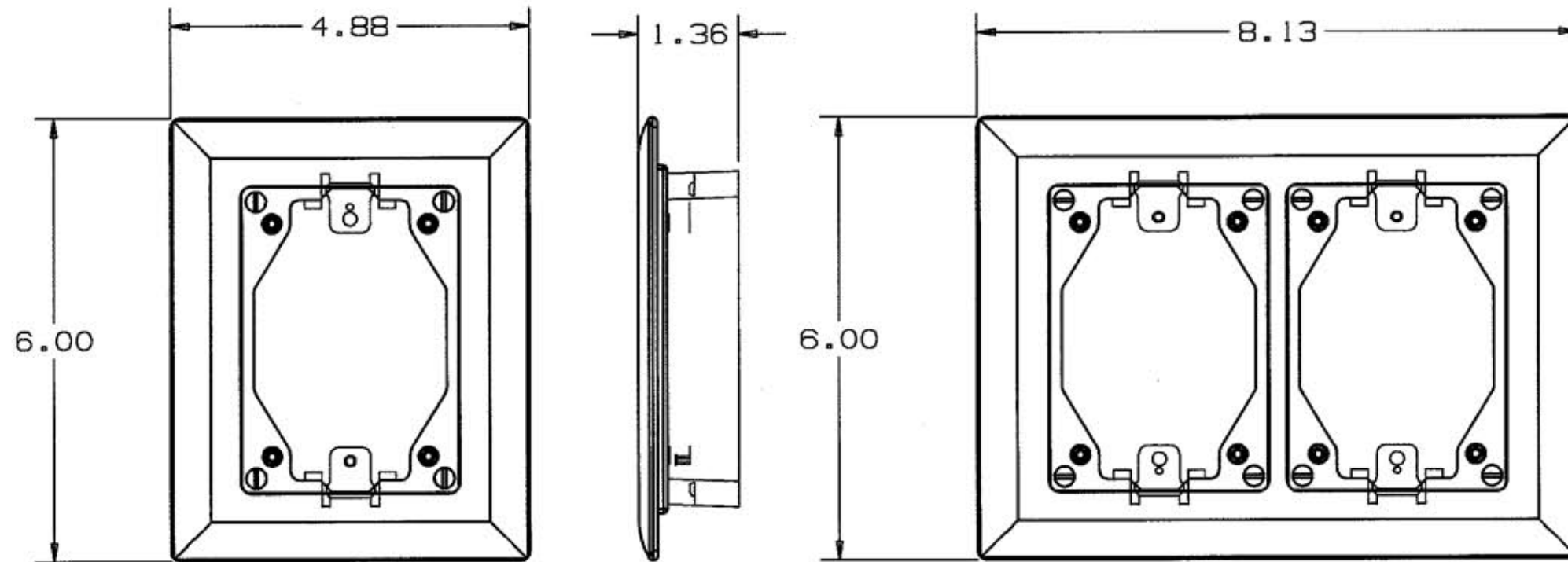
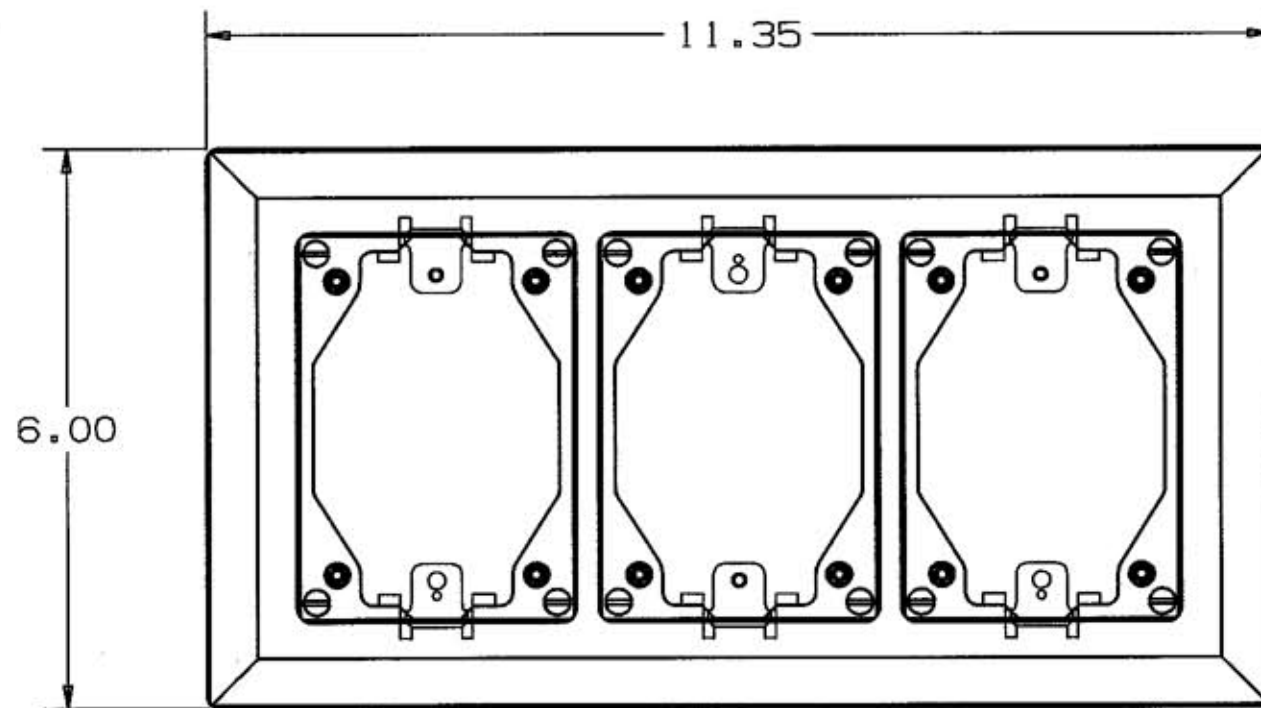


M-7768 2



PFBRFGY1

PFBRFGY2



PFBRFGY3

LIST OF PARTS

| DESCRIPTION | MATERIAL | FINISH |
|--------------------|-----------------------|------------|
| SINGLE GANG FLANGE | ABS | EDM |
| TWO GANG FLANGE | ABS | EDM |
| THREE GANG FLANGE | ABS | EDM |
| MOUNTING COLLAR | PVC | |
| SCREW, PAN HEAD | STEEL | ZINC PLATE |
| CLIP RETAINER | STEEL | ZINC PLATE |
| SCREW, FLAT HEAD | STEEL | ZINC PLATE |
| SINGLE GANG GASKET | U.L. LISTED ELASTOMER | BLACK |
| TWO GANG GASKET | U.L. LISTED ELASTOMER | BLACK |
| THREE GANG GASKET | U.L. LISTED ELASTOMER | BLACK |

DIMENSION SHEET FOR CAT. NO. SEE FIELD OF DRAWING

REPAIRABLE

NON-REPAIRABLE

| | | | |
|-----|-------------------------------------|-----|----------|
| 2 | ADDED (3) GASKETS PER DCN#10626 SRE | SM | 2-19-03 |
| 1 | INITIAL RELEASE CN. 5816 | CP | 11-20-97 |
| SYM | REVISIONS | APP | DATE |

THE DESIGN AND DIMENSIONS OF THE PRODUCT SHOWN ON THIS DRAWING ARE SUBJECT TO CHANGE WITHOUT NOTICE

TITLE
FLANGES, SINGLE, TWO & THREE GANG

| | | | |
|---------------------------------------|--------|---|-------------|
| TOLERANCES UNLESS OTHERWISE SPECIFIED | | WIRING DEVICE DIVISION HUBBELL, INCORPORATED BRIDGEPORT, CT | |
| FRACTIONS | ± 1/64 | DR. BY T.J.V. | APP. BY |
| DECIMALS | ± .005 | TR. BY | SCALE 1:2 |
| ANGLES | ± 2° | CHK'D BY | DATE 5-5-97 |

B

M-7768

2