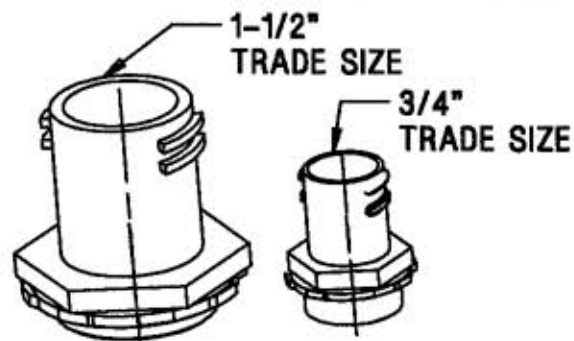


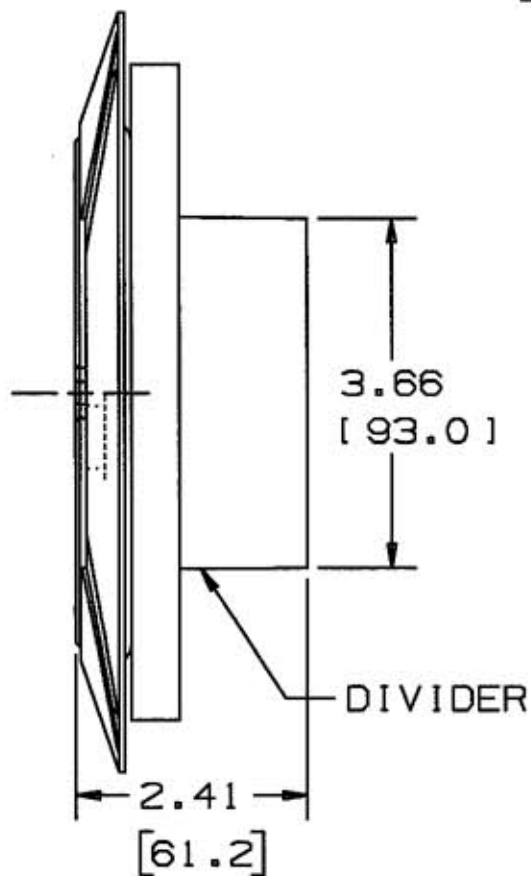
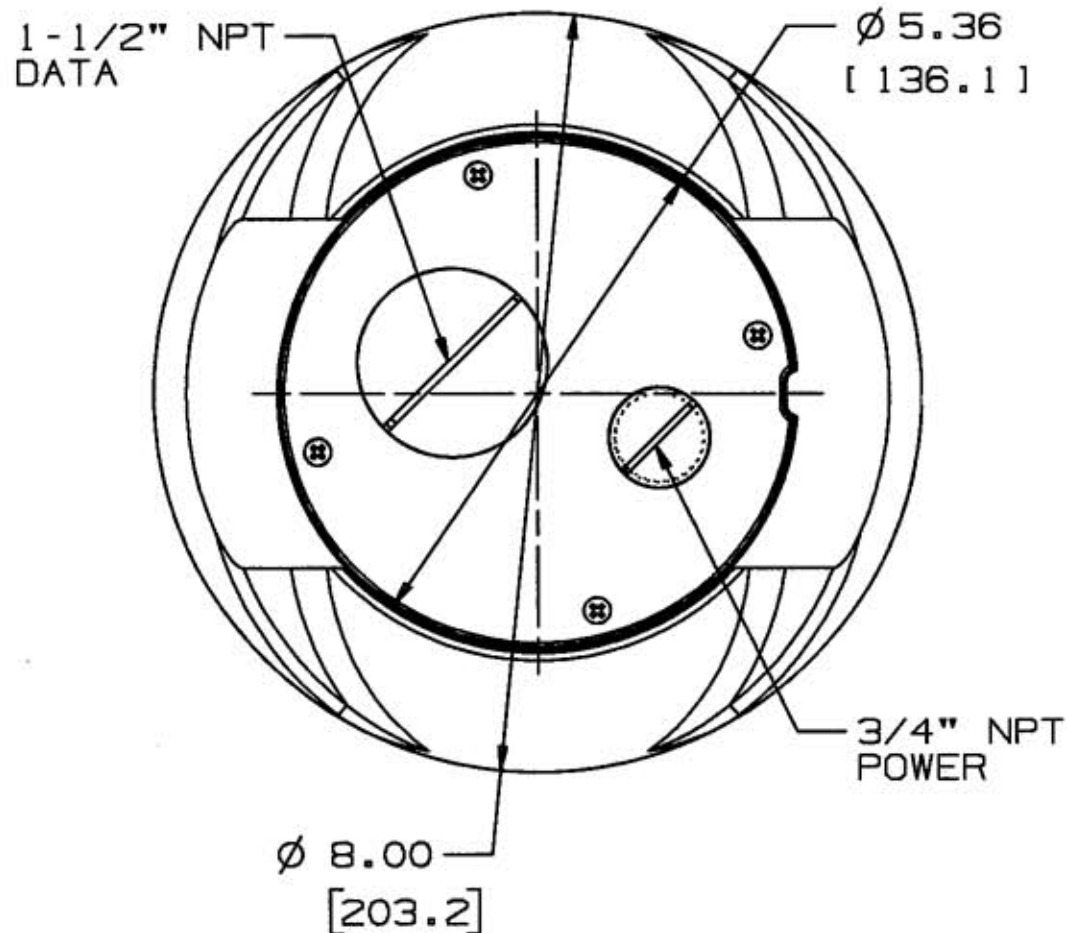
M-9528 6

OPTIONAL: NON-METALLIC LIQUID TIGHT FITTINGS FOR FLEXIBLE LIQUID TIGHT NON METALLIC CONDUIT TRADE SIZE 3/4" & 1-1/2". MAY BE USED FOR APPLICATION. THIS IS NOT SUPPLIED WITH PRODUCT.
 OPTIONAL FITTING 1. 3/4" CATALOG NO. P075NBKA, XXXXNGYA.
 OPTIONAL FITTING 2. 1-1/2" CATALOG NO. P150NBK, XXXXNGY.



SCREW-IN CONNECTORS & INSTRUCTION SHEET

D61503-01



CATALOG NO.	DESCRIPTION
SISPFFBRS	FF COVER PLT-BRASS FINISH
SISPFFBL	FF COVER PLT-BLACK
SISPFFGY	FF COVER PLT-GRAY
SISPFFAL	FF COVER PLT-ALUM. FINISH

NOTES:

- UL & cUL LISTED.
- MULTI-SCREW CONNECTORS D61503-01 ARE PROVIDED WITH EACH CATALOG NO. SISPFFXXX.

DIMENSIONS IN INCHES [MM]

CODE 74545

LIST OF PARTS

DESCRIPTION	MATERIAL	FINISH
COVER PLATE FURN. FD.	CAST ALUM.	SEE TABLE
DIVIDER, SUB PLATE	THERMOPLASTIC	GRAY
CLOSURE PLUG 1.5"	CAST ALUM.	
CLOSURE PLUG 3/4"	DIE-CAST ZINC	
GASKET, FLANGE	NEOPRENE	BLACK
CARPET, FLANGE	DIE-CAST ZINC	
GASKET, EXTERIOR FLOOR	NEOPRENE	BLACK
MULTI-SCREW IN CONN.	DIE-CAST ZINC	

SYM	REVISIONS	APP	DATE
6	ADDED SCREW-IN CONNECTORS PER DCN 13220 CAC 7-14-06		
5	SISPFFGY WAS SISPFFGY PER DCN. 13043 TJV 4-8-06	TJV	04/25/06
4	12/1/05 ADDED 2 GASKETS & FLANGE PER DCN 12764 MJM TLS	TLS	12/1/05
3	ADDED CAT. SISPFFAL AND FINISH TO SISPFFBRS PER DCN. 12803 TJV	TLS	10-12-05
2	ADDED 1-1/2" NPT & 3/4" NPT NOTES, REVISED TITLE BLOCK FOR SYSTEM ONE. PER DCN 12261 TLS.	TLS	3-8-05
1	DCN11999 INITIAL RELEASE	TLS	11-8-04

THE DESIGN AND DIMENSIONS OF THE PRODUCT SHOWN ON THIS DRAWING ARE SUBJECT TO CHANGE WITHOUT NOTICE

TITLE SYSTEM ONE FURNITURE FEED ROUND FLOOR BOX

TOLERANCES UNLESS OTHERWISE SPECIFIED	WIRING DEVICE-KELLEMS HUBBELL INCORPORATED BRIDGEPORT, CT		
FRACTIONS ±1/64	DR. BY	PAC	APP. BY TLS
DECIMALS ±.005	TR. BY		SCALE NONE
ANGLES ±2°	CHK'D BY TLS		DATE 9-21-04

DIMENSION SHEET FOR CAT. NO.

REPAIRABLE

NON-REPAIRABLE

B

M-9528

6