

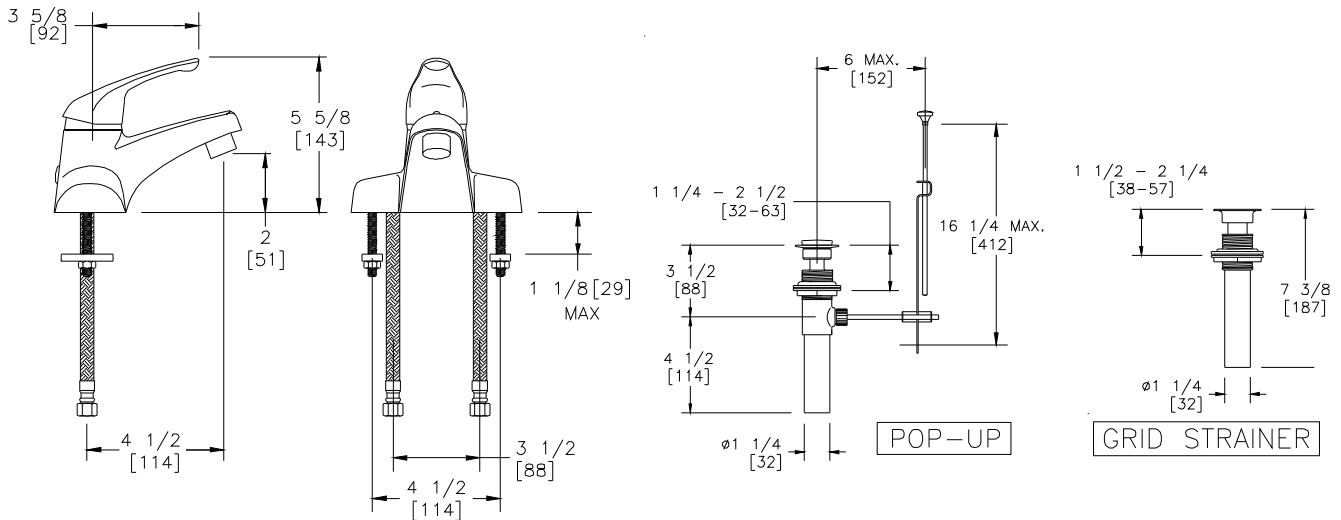


### Engineering Specifications: Zurn AquaSpec® Sierra Faucet Z7440-XL

Polished chrome plated 4" [102mm] centerset single control lavatory faucet with 5" [127mm] integral spout, a ceramic disc cartridge and a temperature limit stop. Unit is furnished with 2.2 GPM [8.3L] aerator (complying with ANSI A112.18.1M Standard for flow), an ADA compliant lever handle, 3/8" stainless steel flex hose 18" [457mm] in length with 3/8" female compression fitting. Zurn Lead Free products (-XL) is the line of durable, high quality brass faucets and fixtures that are designed and manufactured to comply with Section 1417 of the Safe Drinking Water Act (SDWA) which mandates the weighted average lead content of no more than 0.25% of the wetted surface.



\* This product should be used with a WaterSense labeled counterpart with a compatible flush volume to ensure that the entire system meets the requirements for water efficiency and performance.



Note: Dimensions subject to manufacturing tolerances. Other pipe and fittings not furnished by manufacturer.

Model No.	Lever Handle	No Pop-Up Hole	With Lift Rod Only	With Metal Pop-Up	With Grid Strainer
Z7440-XL	X	X			
Z7441-XL	X		X		
Z7442-XL	X			X	
Z7443-XL	X	X			X

### STANDARDS

Lever handle models meet or exceed ANSI A117.1M Handicap specifications.

### FLOW RATE

2.2 GPM (8.3 LPM) @ 80 PSI

### OPTIONS (Check/specify appropriate options)

- \_\_\_ - CST Copper Supply Tubes w/ 1/2" IPS Fitting
- \_\_\_ - FC 0.5 GPM [1.9L] Vandal Resistant Aerator
- \_\_\_ - LA 2.2 GPM [8.3L] Laminar Flow Aerator
- \_\_\_ - SO\* 1.0 GPM [3.8L] Spray Outlet
- \_\_\_ - VP 2.2 GPM [8.3L] Vandal Resistant Aerator
- \_\_\_ - VP1.5\* 1.5 GPM [5.7 L] Vandal Resistant Aerator
- \_\_\_ - SO.35 0.35 GPM [1.3 L] Pressure Compensating Spray Outlet
- \_\_\_ - SOVP.35 0.35 GPM [1.3 L] Vandal-Resistant Pressure Compensating Spray Outlet

ZURN INDUSTRIES, LLC. ♦ COMMERCIAL BRASS OPERATION ♦ 5900 ELWIN BUCHANAN DRIVE ♦ SANFORD NC 27330

Phone: 1-800-997-3876 ♦ Fax: 919-775-3541 ♦ World Wide Web: www.zurn.com

In Canada: ZURN INDUSTRIES LIMITED ♦ 7900 Goreway Drive Unit 10 ♦ Brampton, Ontario L6T5W6 ♦ Phone: 905-405-8272 Fax: 905-405-1292