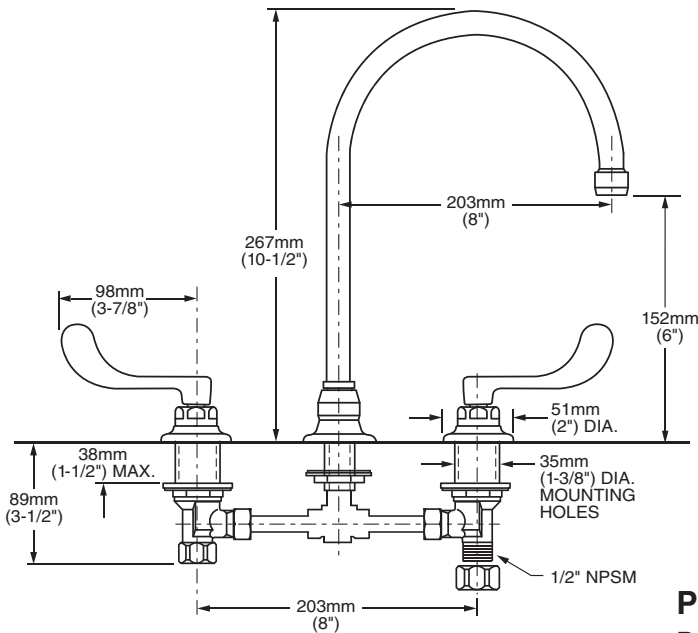




6540.177 Shown



GENERAL DESCRIPTION:

Durable cast brass construction. Cast brass valve bodies with 8" rigid copper connection with compression fittings. 1/2" male threaded inlet shanks with brass coupling nuts. 1/4 turn ceramic disc valve cartridges. Convertible rigid/swivel spout with 8" reach. Vandal-Resistant Wrist Blade handles with blue & red color indexes. All brass drain bodies with 1 1/4" (32mm) tailpieces (on applicable models). Vandal-Resistant and Laminar Flow aerators are available.

SUGGESTED SPECIFICATION:

Two handle widespread lavatory faucet shall feature cast brass valve bodies with 8" rigid copper connection. Shall feature water-conserving pressure compensating flow outlets. Vandal-Resistant wrist blade handles. Shall also feature 1/4 turn washerless ceramic disc valve cartridges. Shall also feature convertible rigid/swivel spout with 8" reach. Fitting shall be American Standard Model # 654__7__.002.

MODEL NUMBER:

- ❑ **6540.177 Widespread Lavatory**
 0.5 gpm Pressure compensating non-aerated spray. Field-convertible rigid/swivel gooseneck spout with 8" reach. Vandal-resistant wrist blade handles. Less drain and pop-up hole.
- ❑ **6542.177 Widespread Lavatory**
 0.5 gpm Pressure compensating non-aerated spray. Field-convertible rigid/swivel gooseneck spout with 8" reach. Vandal-resistant wrist blade handles. Grid strainer drain.
- ❑ **6540.178 Widespread Lavatory**
 1.5 gpm Pressure compensating aerator. Field-convertible rigid/swivel gooseneck spout with 8" reach. Vandal-resistant wrist blade handles. Less drain and pop-up hole.
- ❑ **6542.178 Widespread Lavatory**
 1.5 gpm Pressure compensating aerator. Field-convertible rigid/swivel gooseneck spout with 8" reach. Vandal-resistant wrist blade handles. Grid strainer drain.

PRODUCT FEATURES:

- Pressure Compensating Outlets:** Provides a constant water flow throughout the pressure range.
- Solid Brass Construction:** Durable - Excellent in high use applications. Ideal for prolonged contact with water.
- Ceramic Disc Valve Cartridges:** Assures a lifetime of drip-free performance.
- Field-Convertible Rigid/Swivel Spout with 8" Reach:** Easily converted in the field.
- Lead Free:** Faucet contains ≤ 0.25% total lead content by weighted average.



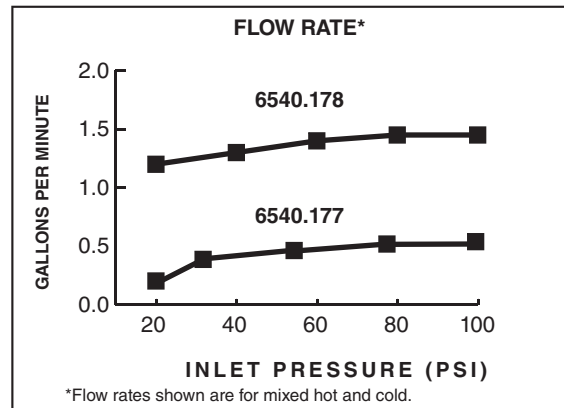
MONTERREY™

TWO-HANDLE WIDESPREAD LAVATORY FAUCET RIGID/SWIVEL GOOSENECK SPOUT WITH 8" REACH

CODES AND STANDARDS

These products meet or exceed the following codes and standards:

- ASME A112.18.1
- CSA B 125
- NSF 61/Section 9 and Annex G



Product Number	Description	Finish
		Polished Chrome
		002
6540.177	Widespread lavatory faucet with field-convertible gooseneck spout with 8" reach. 0.5 gpm/1.9 L/min pressure compensating non-aerated spray. Vandal-resistant wrist blade handles. Less drain & pop-up hole.	
6542.177	Widespread lavatory faucet with field-convertible gooseneck spout with 8" reach. 0.5 gpm/1.9 L/min pressure compensating non-aerated spray. Vandal-resistant wrist blade handles. Grid strainer drain.	
6540.178	Widespread lavatory faucet with field-convertible gooseneck spout with 8" reach. 1.5 gpm/5.7 L/min pressure compensating non-aerated spray. Vandal-resistant wrist blade handles. Grid strainer drain.	
6542.178	Widespread lavatory faucet with field-convertible gooseneck spout with 8" reach. 1.5 gpm/5.7 L/min pressure compensating non-aerated spray. Vandal-resistant wrist blade handles. Grid strainer drain.	

MEETS THE AMERICANS WITH DISABILITIES ACT GUIDELINES AND ANSI A117.1 REQUIREMENTS FOR ACCESSIBLE AND USABLE BUILDING FACILITIES-CHECK LOCAL CODES

Other Aerators Available:

Part Suffix	Description
LV22	2.2 gpm (8.3 Lpm) Vandal-Resistant Non-Aerated Laminar Flow Outlet
V22	2.2 gpm (8.3 Lpm) Vandal-Resistant Aerator
A15LV	Anti-Microbial 1.5 gpm (5.7 Lpm) Vandal-Resistant Non-Aerated Laminar Flow Outlet
LV15	1.5 gpm (5.7 Lpm) PCA Vandal-Resistant Non-Aerated Laminar Flow Outlet
V15	.5 gpm (5.7 Lpm) PCA Vandal-Resistant Aerator
LV10	1.0 gpm (3.8 Lpm) PCA Vandal-Resistant Non-Aerated Laminar Flow Outlet
V10	1.0 gpm (3.8 Lpm) PCA Vandal-Resistant Aerator
V035**	0.35 gpm (1.3 Lpm) PCA Vandal-Resistant Non-Aerated Spray

*PCA - Pressure Compensating

**Meets Cal Green Code