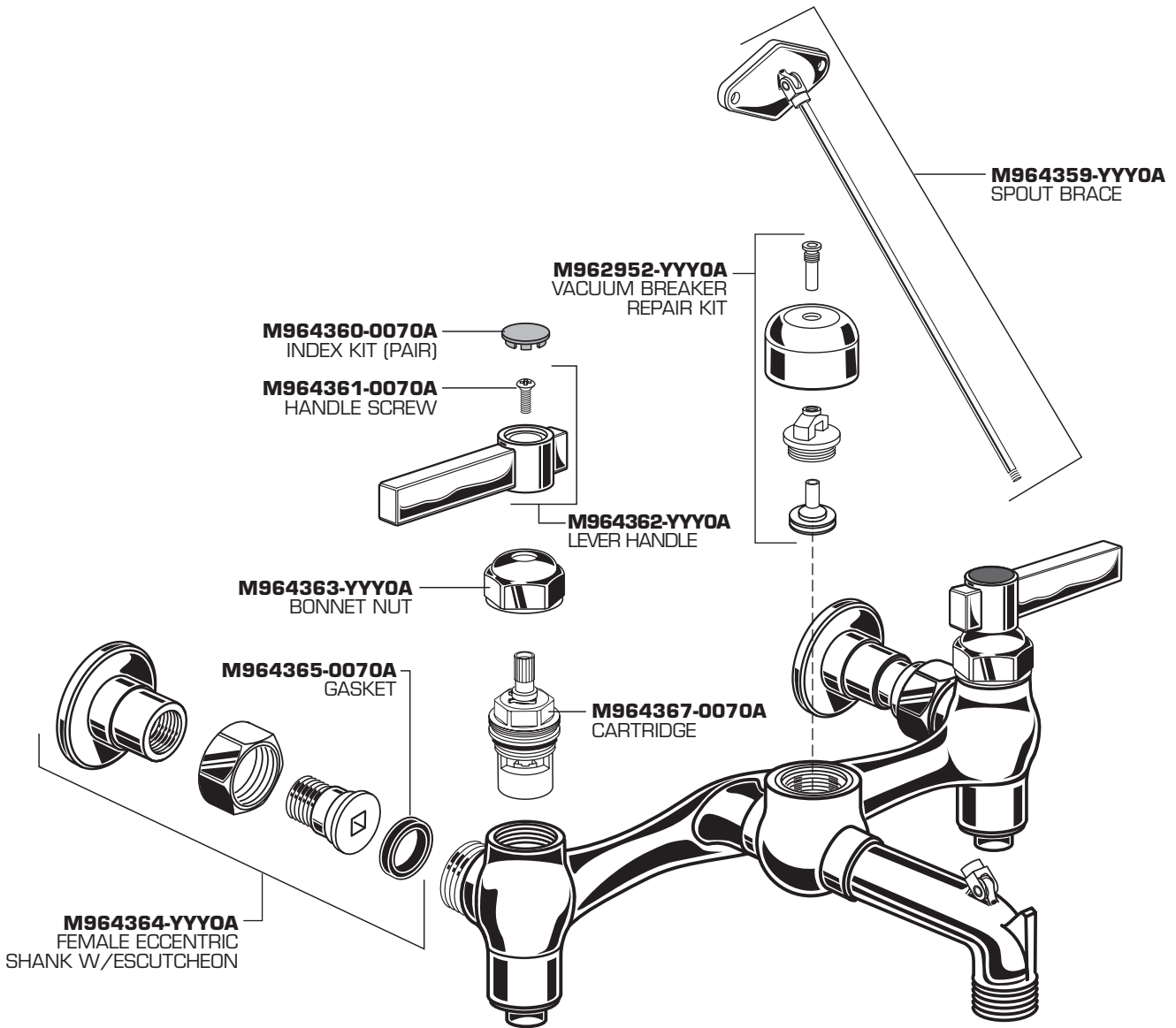


*American Standard*

# Exposed Wall Mount Sink Faucet with Top Brace

MODEL NUMBER  
**8344.212**



Replace the "YYY" with appropriate finish code

CHROME	002
ROUGH CHROME	004



**HOT LINE FOR HELP**

For toll-free information and answers to your questions, call:  
1-800-442-1902  
Weekdays 8:00 a.m. to 6:00 p.m. EST  
IN CANADA 1-800-387-0369 (TORONTO 1-905-306-1093)  
Weekdays 8:00 a.m. to 7:00 p.m. EST  
IN MEXICO 01-800-839-1200

Product names listed herein are trademarks of American Standard Inc.  
© AS America, Inc. 2013