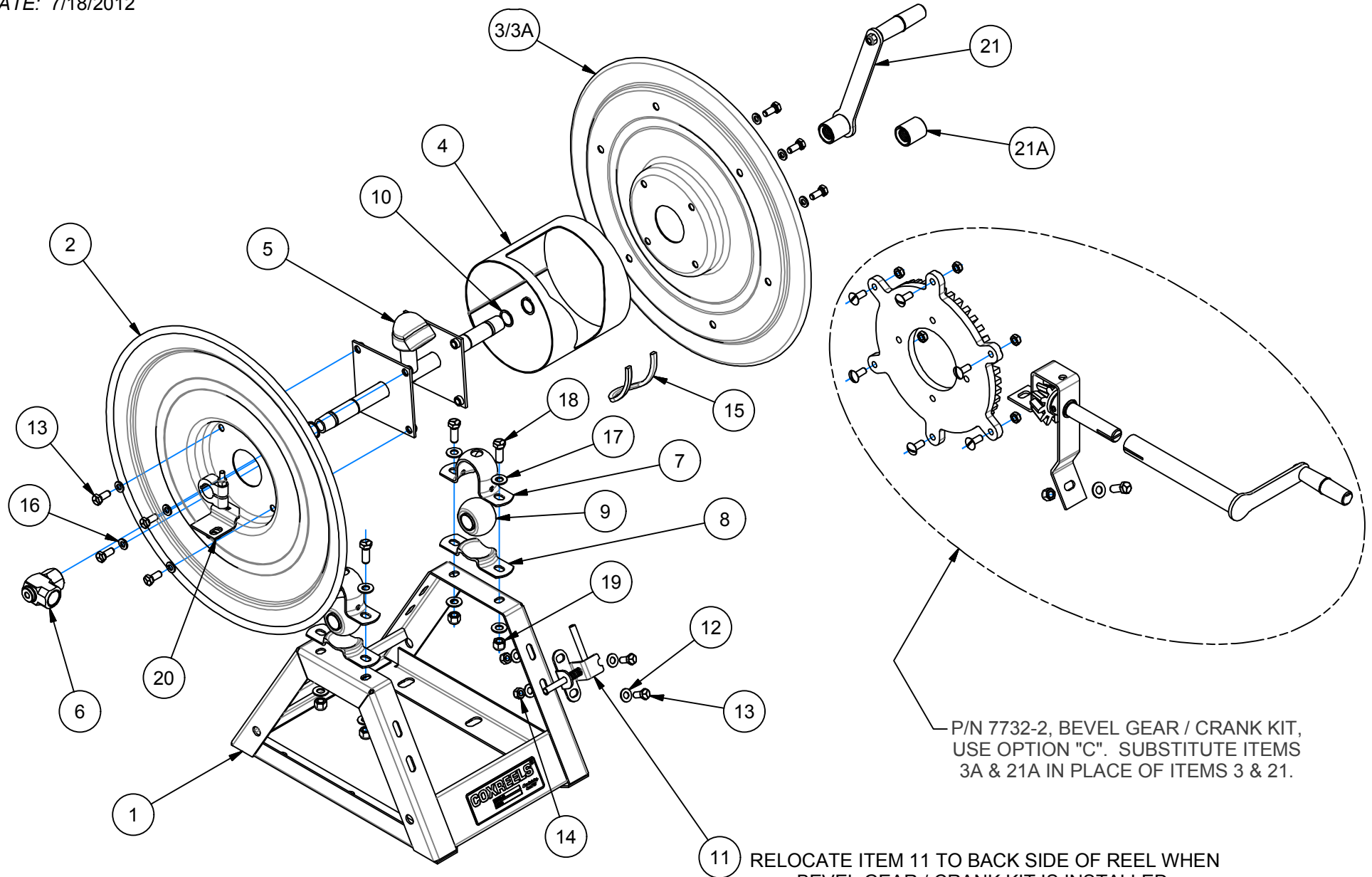


# EXP-110

REVISION: G  
ECO NO.: 2944  
BY: J. KUSBEL  
DATE: 7/18/2012

# COXREELS

## 1125 SERIES



ITEM NO.	PART NO.	DESCRIPTION	QTY REQ'D
7	20064-T	PILLOW BLOCK, MTG, TOP	2
8	20064-B	PILLOW BLOCK, MTG, BOTTOM	2
11	20843	ASSY, LOCK PIN	1
12	20171	WASHER, FLAT, 5/16"	4
13	312	BOLT, 5/16-18 X 3/4" LG.	10
14	111	NUT, LOCKING, 5/16"	2
16	112	WASHER, LOCK, 5/16"	8
17	157	WASHER, FLAT, 3/8"	8
18	20016	BOLT, 3/8-16 X 1" LG.	4
19	435	NUT, LOCKING, 3/8"	4

ITEM NUMBER

MODEL NO.	ITEM NUMBER												
	1	2	3	3A	4	5	6	9	10	15	20	21	21A
	FRAME	DISC, SWV SD	DISC, CRK SD	DISC, CRK SD	CENTER DRUM	AXLE ASSY	SWIVEL	BEARING (2)	R. RING (4)	TRIM	DRAG BRAKE	HAND CRANK	PIPE CAP
1125P-4-6	7455-6	7415	7416	7485	7414-6	7408-6-SS	434-FG-SS	20649	153	7460-9.75	7429-4	7419-1-SS	7422-SS
1125P-4-8	7455-8	7415	7416	7485	7414-8	7408-8-SS	434-FG-SS	20649	153	7460-9.75	7429-4	7419-1-SS	7422-SS
1125P-4-12	7455-12	7415	7416	7485	7414-12	7408-12-SS	434-FG-SS	20649	153	7460-9.75	7429-4	7419-1-SS	7422-SS
1125-4-100	7455-6	7415	7416	7485	7414-6	7408-6	439	20649	153	7460-9.75	7429-4	7419-1	7422
1125-4-200	7455-12	7415	7416	7485	7414-12	7408-12	439	20649	153	7460-9.75	7429-4	7419-1	7422
1125-4-325	7455-18	7415	7416	7485	7414-18	7408-18	439	20649	153	7460-9.75	7429-4	7419-1	7422
1125-4-450	7455-24	7415	7416	7485	7414-24	7408-24	439	20649	153	7460-9.75	7429-4	7419-1	7422
1125-4-500	7455-28	7415	7416	7485	7414-28	7408-28	439	20649	153	7460-9.75	7429-4	7419-1	7422
1125-5-50	7455-6	7415	7416	7485	7414-6	7413-6	426	15515	15015	7460-9.75	7429-5	7421-1	7423
1125-5-100	7455-12	7415	7416	7485	7414-12	7413-12	426	15515	15015	7460-9.75	7429-5	7421-1	7423
1125-5-175	7455-18	7415	7416	7485	7414-18	7413-18	426	15515	15015	7460-9.75	7429-5	7421-1	7423
1125-5-200	7455-24	7415	7416	7485	7414-24	7413-24	426	15515	15015	7460-9.75	7429-5	7421-1	7423
1125-5-250	7455-28	7415	7416	7485	7414-28	7413-28	426	15515	15015	7460-9.75	7429-5	7421-1	7423
1125-6-35	7455-9.5	7499	7500	8930	7501-9.5	7504-9.5	15257-1	7507	15012	7460-15.5	7679	7510	7509
1125-6-50	7455-15.5	7499	7500	8930	7501-15.5	7504-15.5	15257-1	7507	15012	7460-15.5	7679	7510	7509
1125-6-75	7455-22	7499	7500	8930	7501-22	7504-22	15257-1	7507	15012	7460-15.5	7679	7510	7509
1125-6-100	7455-28	7499	7500	8930	7501-28	7504-28	15257-1	7507	15012	7460-15.5	7679	7510	7509

ADD "-C" SUFFIX TO MODEL NUMBER FOR BEVEL GEAR / CRANK OPTION. SUBSTITUTE ITEMS 3A & 21A IN PLACE OF ITEMS 3 & 21.

REV: G

ECO: 2944

DATE: 7/18/2012

NAME: J. KUSBEL