

SANI-LAV[®] COLUMBIA PRODUCTS

Operating Manual for Faucets

Models 1001, 1001-0.5, 2002, 2002-0.5 and 2003L, 2003L-0.5



Model 2003L
Low-flow Model 2003L-0.5



Model 1001
Low-flow Model 1001-0.5



Model 2002
Low-flow Model 2002-0.5

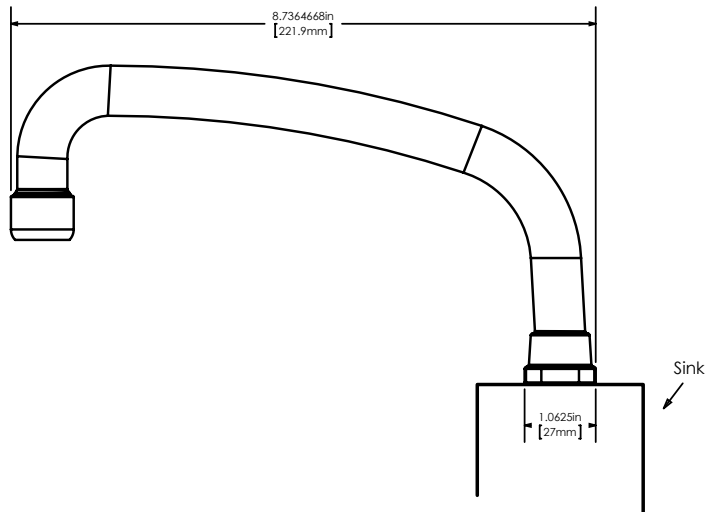
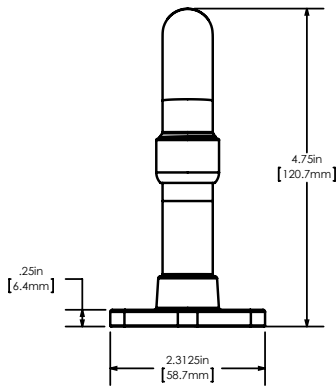
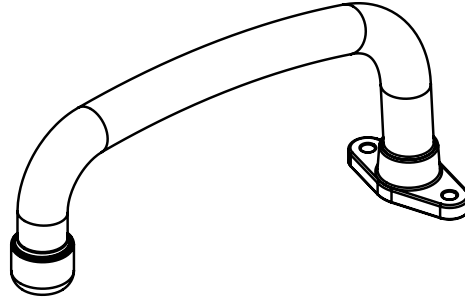
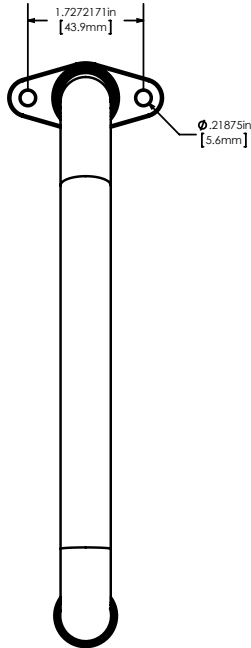


Product Compliance

Certified to NSF/ANSI 61, Section 9 by CSA, ASME A112.18.1/CSA B125.1
Standard flow rate: 2 GPM, low-flow model: 0.5 GPM



■ Model 1001

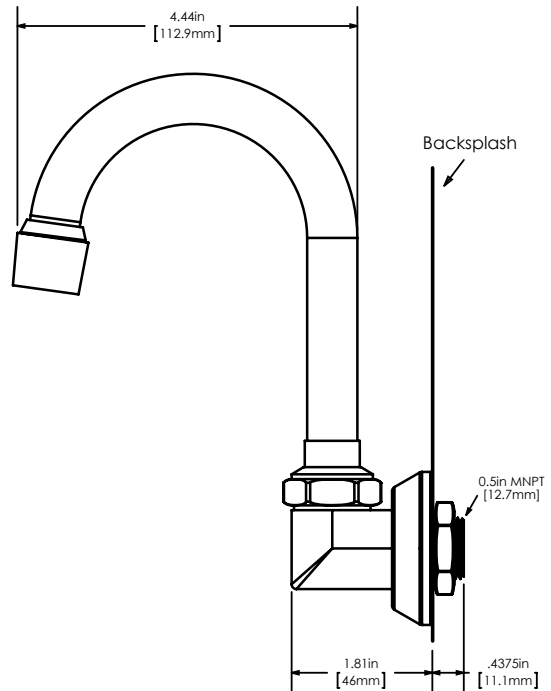
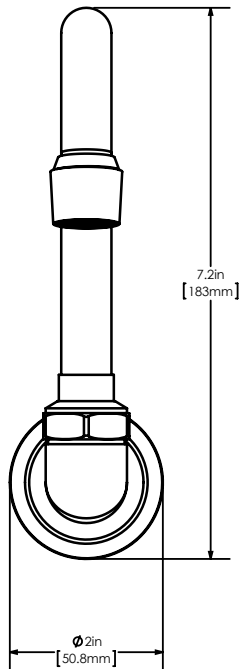
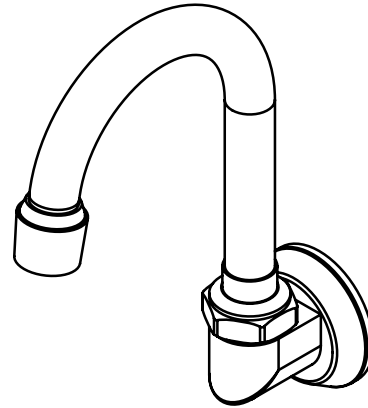
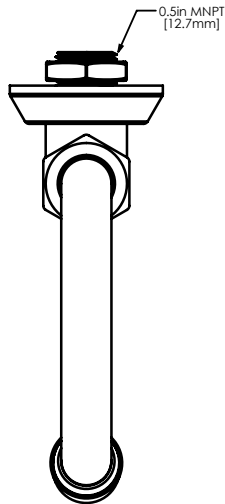


Go to columbiasinks.com for more information on replacement parts and installation videos.

Notice for California Consumers
WARNING: This product can expose you to chemicals including Chromium (hexavalent compounds), Lead, and Phthalates (DEHP) which are known to the State of California to cause cancer and birth defects or other reproductive harm. For more information go to www.P65Warnings.ca.gov.

NOTE: Lead content originates from Brass components in valves and faucets and is certified under NSF/ANSI 372 as containing less than 0.25% lead in wetted surfaces.

■ Model 2002



Go to columbiasinks.com for more information on replacement parts and installation videos.

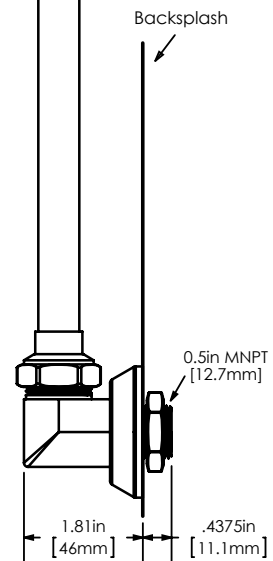
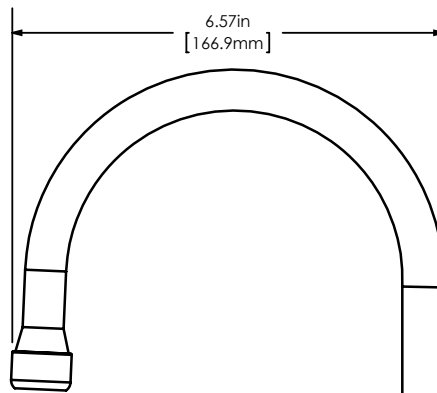
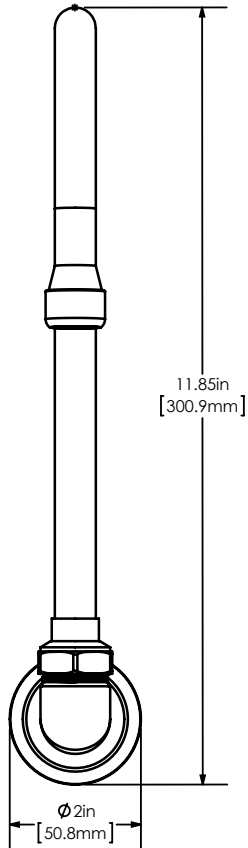
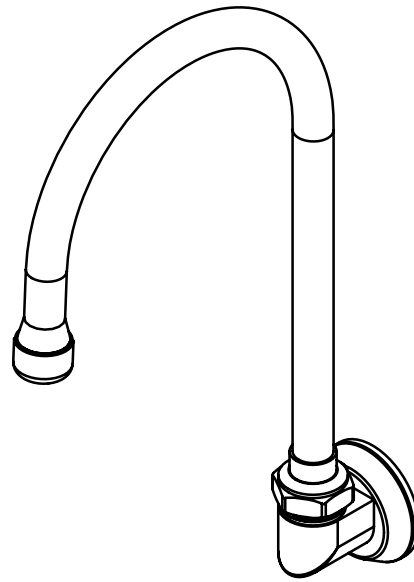
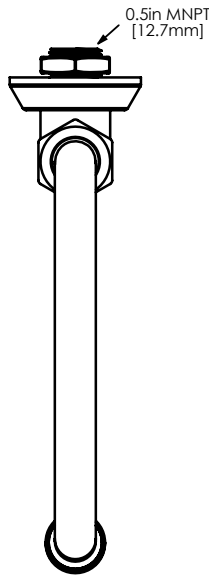
Notice for California Consumers

WARNING: This product can expose you to chemicals including Chromium (hexavalent compounds), Lead, and Phthalates (DEHP) which are known to the State of California to cause cancer and birth defects or other reproductive harm. For more information go to www.P65Warnings.ca.gov.

NOTE: Lead content originates from Brass components in valves and faucets and is certified under NSF/ANSI 372 as containing less than 0.25% lead in wetted surfaces.

COLUMBIA PRODUCTS
800.626.2117 ▪ columbiasinks.com ▪ info@columbiasinks.com

■ Model 2003L



Go to columbiasinks.com for more information on replacement parts and installation videos.

Notice for California Consumers

WARNING: This product can expose you to chemicals including Chromium (hexavalent compounds), Lead, and Phthalates (DEHP) which are known to the State of California to cause cancer and birth defects or other reproductive harm. For more information go to www.P65Warnings.ca.gov.

NOTE: Lead content originates from Brass components in valves and faucets and is certified under NSF/ANSI 372 as containing less than 0.25% lead in wetted surfaces.

COLUMBIA PRODUCTS
800.626.2117 ▪ columbiasinks.com ▪ info@columbiasinks.com