

Please read and save these instructions. Read carefully before attempting to assemble, install, operate or maintain the product described. Protect yourself and others by observing all safety information. Failure to comply with instructions could result in personal injury and or property damage! Retain instructions for future reference.

# Dayton® 86mm LED Warning Lights



**Description**

Eye-catching indicators with long-life Red, Orange, Green, Blue, or White LEDs. Ideal for use with conveyors, forklifts, and electrical control panels.

- Steady Lighting, Flashing, Rotating, Buzzer
- Optional 100dB Buzzer (Adjustable volume)
- Power: 12-24V AC/DC or 90-240V AC
- Lead wire type
- Direct mounting

**Unpacking**

After unpacking the product, carefully inspect for any damage that may have occurred during transit. Check for loose, missing, or damaged parts. Shipping damage claims must be filed with the carrier and are the responsibility of the user.

**General Safety Instructions**

\* Always observe rules of "Safety Caution" for safe and correct use of products and for prevention of accident or danger.  
\* "Safety Caution" is divided into two categories, i.e., "caution" and "warning", details of which read as below.

**Warning** Possibilities where incorrect use or violation of instructions may result in serious personal injury or even death

**Caution** Possibilities where incorrect use or violation of instructions may result in minor personal injury

\* Meaning of symbols described on products and Instruction Manual is as follows. ⚠ is a symbol cautioning that a danger may occur under a particular condition.

**Warning**

- Always attach a dual safety device on life or property-affecting devices (e.g., atomic control, medical devices, automotive vehicles, railway vehicles, airplanes, combustion devices, amusement devices or safety devices) before use. (Fire, personal injury, serious property loss may occur.)
- Do not disassemble or alter the product. Contact us for service related functions including inner inspection and repair. (Fire, electrocution and product damage may occur.)
- Avoid wiring, inspecting and repairing while power is being supplied. (Electrocution may occur.)
- Always use rated input voltage, and use a standard electric cord for each product. (Fire and electrocution may occur.)
- Always check if an electric connection is proper before applying a power source. (Fire, electrocution and product damage may occur.)
- Avoid using an excessive electricity higher than rated voltage. (Fire and product damage may occur.)
- Avoid using the product outdoors, at explosion-prone places, at places near inflammable substances, water, combustible substances and vibration. (Fire, electrocution and personal injury may occur.)
- Always perform an individual grounding test, and avoid using a grounding cable exceeding AWG No.16. (Electrocution may occur.)

**Caution**

- Do not disassemble, repair, or modify the product, otherwise severe accidents may result, such as electric shocks, damage, fire, or malfunction.
- Do not pull out or push in the cable of the product, otherwise damage may result. Give slack to the cable while wiring.
- Turn off the power to the product before mounting, dismounting, wiring, and assembling the LED unit. Make sure of correct wiring, otherwise electric shocks or fire may result.
- Do not place obstacles obstructing ventilation near product. (Product damage or product deformation may occur due to heat).
- In case abnormality happens to the product, unplug the input power connection immediately. disconnect is more appropriate than unplug for this product (There is the danger of fire or product damage.)
- Avoid using at a place of high vibration level. (Product damage may occur.)
- Avoid using water or detergent when cleaning, and clean with dry cloth. (Electrocution may occur.)

Form 5S7405

Printed in Korea  
09703  
Version 0  
10/2013



# Dayton® 86mm LED Warning Lights

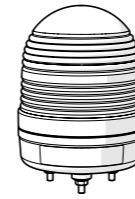
## Models 26ZT50 to 26ZT59 Non Buzzer Type

**Specifications**

**Rating**

Model No.	Lens Color	Power Voltage	Current(A) (±10%)	Power(W) (±10%)	Light output (lm)	Frequency (Hz)
26ZT50	Red	12-24V AC/DC	0.203-0.398	2.21-2.31	36	
26ZT51	Yellow	12-24V AC/DC	0.184-0.333	1.98-2.13	41	
26ZT52	Green	12-24V AC/DC	0.170-0.298	1.76-1.89	31	
26ZT53	Blue	12-24V AC/DC	0.220-0.371	2.14-2.52	10	
26ZT54	Clear	12-24V AC/DC	0.160-0.272	1.66-1.78	61	
26ZT55	Red	90-240V AC	0.032-0.055	2.19-2.69	38	
26ZT56	Yellow	90-240V AC	0.029-0.051	2.26-2.46	42	
26ZT57	Green	90-240V AC	0.029-0.048	2.11-2.25	25	
26ZT58	Blue	90-240V AC	0.023-0.036	1.56-1.75	6	
26ZT59	Clear	90-240V AC	0.027-0.043	1.91-2.09	61	

DC: Not applicable  
AC: 50/60Hz



**Application-1**

Model No.	Light source	Flashing (±5%)	Rotation Speed (±10%)	Function
26ZT50 to 26ZT59	LED	F1: 80 times per minute F3: 240 times per minute	min60 to max300 RPM (Clockwise rotation)	Steady Flashing Rotating

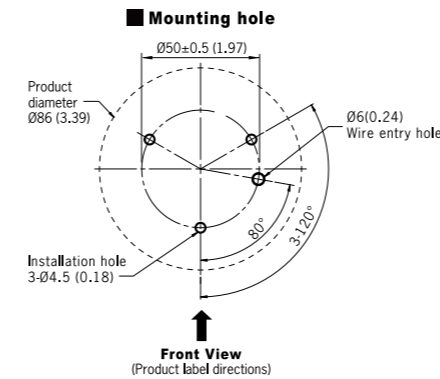
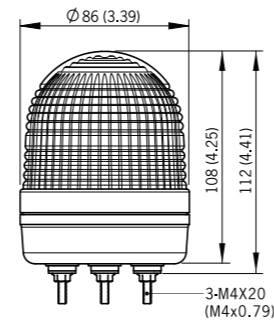
**Application-2**

Model No.	Lamp Life	Lens diameter inch.(mm)	Height inch.(mm)	Gross Weight	IP rating
26ZT50 to 26ZT59	30,000 hours	3-2/5" (86)	4-1/4" (112)	0.54 lb (240g)	IP65

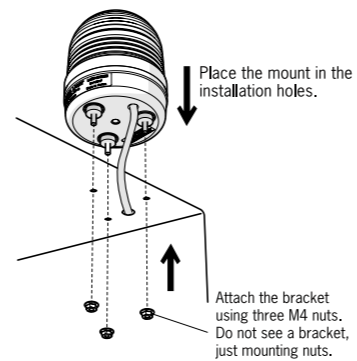
**Application-3**

Model No.	Ambient Temperature	Storage Temperature	Ambient Humidity	Vibration	Wire Size
26ZT50 to 26ZT59	-20 to 40℃	-20 to 70℃	45 ~ 85%	0.75mm at 10 ~ 55Hz	1007 UL 22AWG, 800mm

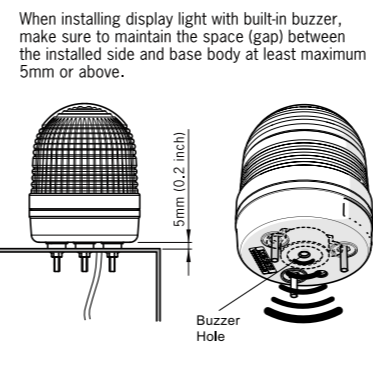
**Dimensions** Unit: mm (inch)



**General installation**



**Buzzer type installation**



# Models 26ZT45 to 26ZT69

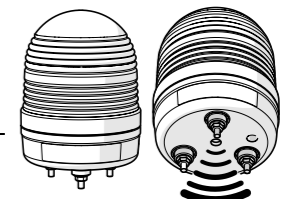
## Models 26ZT60 to 26ZT69 Buzzer type

**Specifications**

**Rating**

Model No.	Lens Color	Power Voltage	Current(A) (±10%)	Power(W) (±10%)	Light output (lm)	Frequency (Hz)
26ZT60	Red	12-24V AC/DC	0.353-0.548	5.81-5.91	36	
26ZT61	Yellow	12-24V AC/DC	0.334-0.483	5.58-5.73	41	
26ZT62	Green	12-24V AC/DC	0.320-0.448	5.36-5.49	31	
26ZT63	Blue	12-24V AC/DC	0.370-0.521	5.74-6.12	10	
26ZT64	Clear	12-24V AC/DC	0.310-0.422	5.26-5.38	61	
26ZT65	Red	90-240V AC	0.182-0.205	5.79-6.29	38	
26ZT66	Yellow	90-240V AC	0.179-0.201	5.86-6.06	42	
26ZT67	Green	90-240V AC	0.179-0.198	5.71-5.85	25	
26ZT68	Blue	90-240V AC	0.173-0.186	5.16-5.35	6	
26ZT69	Clear	90-240V AC	0.177-0.193	5.51-5.69	61	

DC: Not applicable  
AC: 50/60Hz



**Application-1**

Model No.	Light source	Flashing (±5%)	Rotation Speed (±10%)	Buzzer Level (±5dB)
26ZT60 to 26ZT69	LED	F1: 80 times per minute F3: 240 times per minute	min60 to max300 RPM (Clockwise rotation)	min10 to max100 (at 1M)

**Application-2**

Model No.	Function	Lens diameter inch.(mm)	Height inch.(mm)	Gross Weight	Rating
26ZT60 to 26ZT69	Steady Flashing Rotating Buzzer	3-2/5" (86)	4-1/4" (112)	0.54 lb (240g)	IP65

**Application-3**

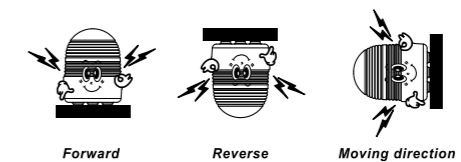
Model No.	Ambient Temperature	Storage Temperature	Ambient Humidity	Vibration
26ZT60 to 26ZT69	-20 to 40℃	-20 to 70℃	45 ~ 85%	0.75mm at 10 ~ 55Hz

**Application-4**

Model No.	Lamp Life	Wire Size
26ZT60 to 26ZT69	30,000 hours	1007 UL/22AWG, 800mm

**Orientation of mounted unit**

- This product has been manufactured with the structure of IP65.
- When it is used indoor, it can be installed in any direction.



**Note**

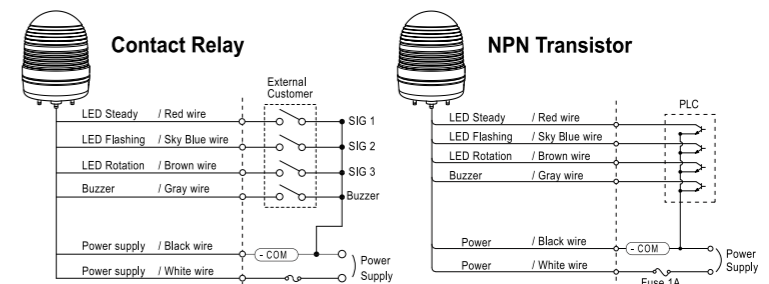
- Place to be installed should be the place with less vibration or shock and use it by attaching to flat surface.
- Avoid wet or dusty place if possible.

**Wiring Diagram**

**Warning:** Before wiring, power supply must be turn off. There is the danger of electrical shock.

- Connect the wires as shown below. Incorrect wiring may damage the internal circuit.
- Connect the wires to external contacts as needed for the number of tiers.
- When using four tiers or less, insulate the unused wires.
- Connect an appropriate fuse to the power line as shown in the figure below.
- Do not apply voltage to Buzzer (Gray) lines.

**12-24V AC/DC Type**  
(Model no: 26ZT50 to 26ZT54, 26ZT60 to 26ZT64)

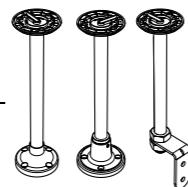


No polarity for DC applications.

No polarity for DC applications.

## Models 26ZT45 to 26ZT47 Accessories - Pole mounting

**Specifications**  
(Note: not UL certified as accessories)



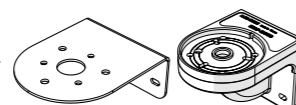
**Item Description**

Model No.	Product Description	Apply to
26ZT45	20 x 240mm length Pole, Surface Mounting, Plastic base, Aluminum pole, Plastic Pole Adaptor	26ZT50 to 26ZT69
26ZT46	20 x 240mm length Pole, Surface Mounting, Aluminum pole & base, Plastic Pole Adaptor	26ZT50 to 26ZT69
26ZT47	20 x 240mm length Pole, Wall mounting Steel Bracket, Aluminum pole, Plastic Pole Adaptor	26ZT50 to 26ZT69

Model No.	Color	Material	Height inch.(±2mm)
26ZT45	Pole-Silver, Base-Black	Pole-Aluminum, Base-Nylon resin	10.47'(266)
26ZT46	Silver, Pole Adaptor-Black	Pole Adaptor-ABS resin	10.47'(266)
26ZT47	Silver, Pole Adaptor-Black	Pole-Aluminum, Base-Aluminum Pole Adaptor-ABS resin Pole Adaptor-Steel Pole Adaptor-ABS resin	9.69'(246)

## Models 26ZT48, 26ZT49 Accessories - Wall Mounting

(Note: not UL certified as accessories)



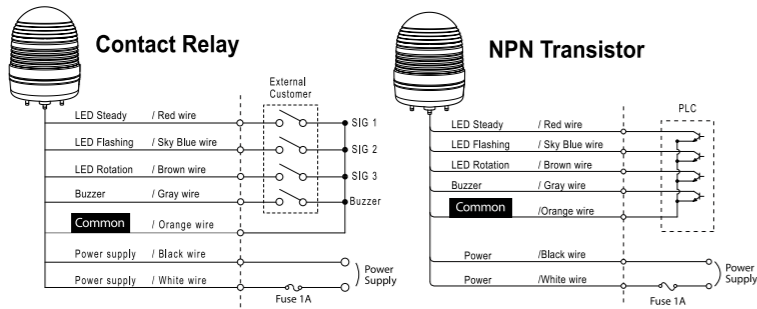
**Item Description**

Model No.	Product Description	Material	Apply to
26ZT48	Steel L-wall mount bracket	Steel, Silver	26ZT50 to 26ZT69
26ZT49	Plastic L-wall mount bracket	ABS resin, Black	26ZT50 to 26ZT69

**Wiring Diagram (Continued)**

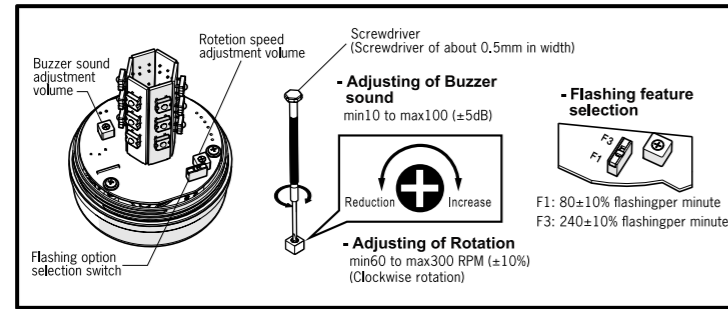
**90-240V AC Type**

(Model no: 26ZT55 to 26ZT59, 26ZT65 to 26ZT69)



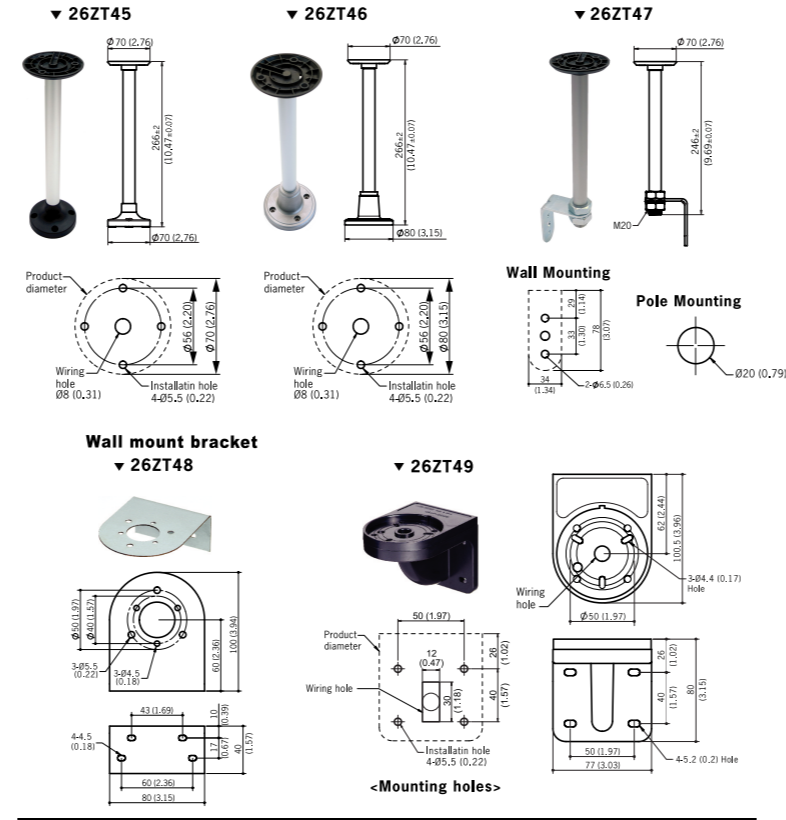
**Feature Setting**

When adjusting operating area while using the display light, do not hold the LED area directly by hand after removing the lens. There is the danger of burn, electric shock or injury.



**Accessories**

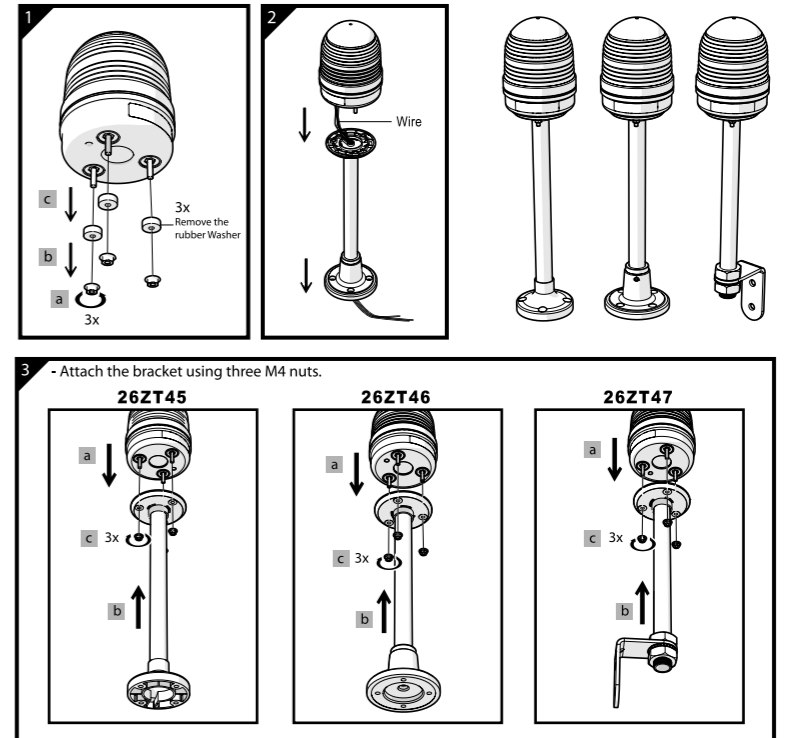
**Dimensions / Mounting Hole layout** Unit: mm (inch)



**Pole Mounting Assembly**

**Pole mount accessory**

The pole mount type can be installed in three ways.

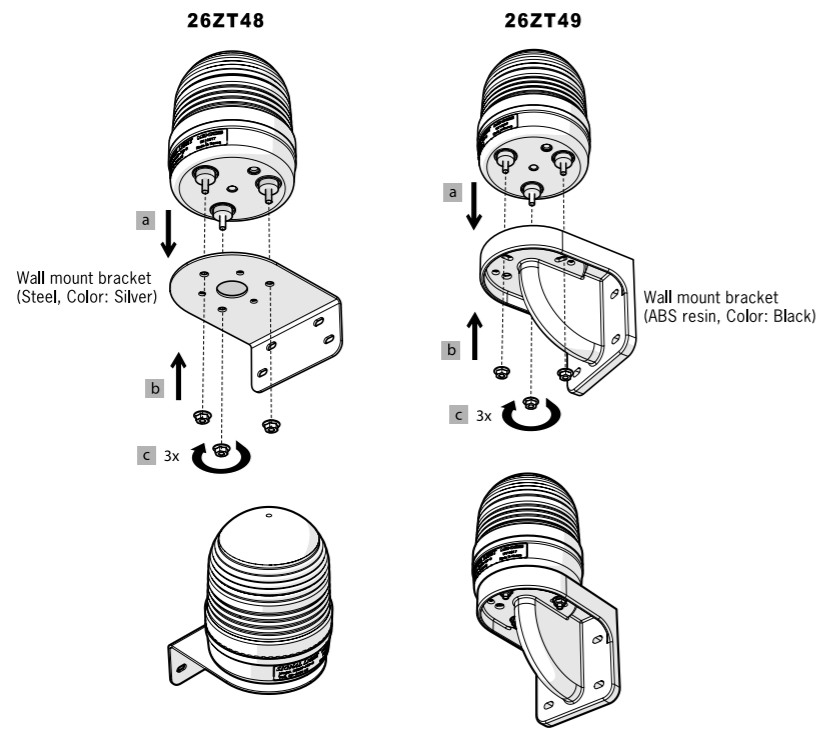


**Accessories**

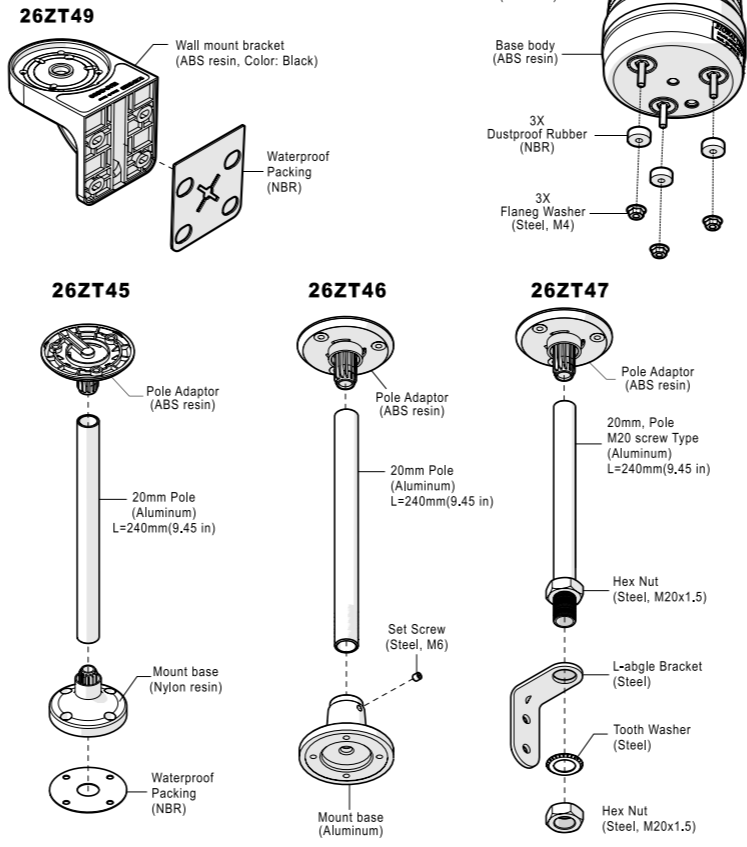
**Assembly**

**Wall mount bracket accessory**

The wall mount type can be installed in two ways. Attach the bracket using three M4 nuts.



**Part Name**



**DAYTON ONE-YEAR LIMITED WARRANTY**

**DAYTON ONE-YEAR LIMITED WARRANTY.** All Dayton® product models covered in this manual are warranted by Dayton Electric Mfg. Co. ("Dayton") to the original user against defects in workmanship or materials under normal use for one year after date of purchase. If the Dayton product is part of a set, only the portion that is defective is subject to this warranty. Any product or part which is determined to be defective in material or workmanship and returned to an authorized service location, as Dayton or Dayton's designee designates, shipping costs prepaid, will be, as the exclusive remedy, repaired or replaced with a new or reconditioned product or part of equal utility or a full refund given, at Dayton's or Dayton's designee's option, at no charge. For limited warranty claim procedures, see "Warranty Service" below. This warranty is void if there is evidence of misuse, mis-repair, mis-installation, abuse or alteration. This warranty does not cover normal wear and tear of Dayton products or portions of them, or products or portions of them which are consumable in normal use. This limited warranty gives purchasers specific legal rights, and you may also have other rights which vary from jurisdiction to jurisdiction.

**WARRANTY DISCLAIMERS AND LIMITATIONS OF LIABILITY RELATING TO ALL CUSTOMERS FOR ALL PRODUCTS**  
**LIMITATION OF LIABILITY.** TO THE EXTENT ALLOWABLE UNDER APPLICABLE LAW, DAYTON'S LIABILITY FOR CONSEQUENTIAL AND INCIDENTAL DAMAGES IS EXPRESSLY DISCLAIMED. DAYTON'S LIABILITY IN ALL EVENTS IS LIMITED TO AND SHALL NOT EXCEED THE PURCHASE PRICE PAID.

**WARRANTY DISCLAIMER.** A DILIGENT EFFORT HAS BEEN MADE TO PROVIDE PRODUCT INFORMATION AND ILLUSTRATE THE PRODUCTS IN THIS LITERATURE ACCURATELY; HOWEVER, SUCH INFORMATION AND ILLUSTRATIONS ARE FOR THE SOLE PURPOSE OF IDENTIFICATION, AND DO NOT EXPRESS OR IMPLY A WARRANTY THAT THE PRODUCTS ARE MERCHANTABILITY, OR FIT FOR A PARTICULAR PURPOSE, OR THAT THE PRODUCTS WILL NECESSARILY CONFORM TO THE ILLUSTRATIONS OR DESCRIPTIONS. EXCEPT AS PROVIDED BELOW, NO WARRANTY OR AFFIRMATION OF FACT, EXPRESSED OR IMPLIED, OTHER THAN AS STATED IN THE "LIMITED WARRANTY" ABOVE IS MADE OR AUTHORIZED BY DAYTON.

**PRODUCT SUITABILITY.** MANY JURISDICTIONS HAVE CODES AND REGULATIONS GOVERNING SALES, CONSTRUCTION, INSTALLATION, AND/OR USE OF PRODUCTS FOR CERTAIN PURPOSES, WHICH MAY VARY FROM THOSE IN NEIGHBORING AREAS. WHILE ATTEMPTS ARE MADE TO ASSURE THAT DAYTON PRODUCTS COMPLY WITH SUCH CODES, DAYTON CANNOT GUARANTEE COMPLIANCE, AND CANNOT BE RESPONSIBLE FOR HOW THE PRODUCT IS INSTALLED OR USED. BEFORE PURCHASE AND USE OF A PRODUCT, REVIEW THE SAFETY/SPECIFICATIONS, AND ALL APPLICABLE NATIONAL AND LOCAL CODES AND REGULATIONS, AND BE SURE THAT THE PRODUCT, INSTALLATION, AND USE WILL COMPLY WITH THEM.

**CONSUMERS ONLY.** CERTAIN ASPECTS OF DISCLAIMERS ARE NOT APPLICABLE TO CONSUMER PRODUCTS SOLD TO CONSUMERS; (A) SOME JURISDICTIONS DO NOT ALLOW THE EXCLUSION OR LIMITATION OF INCIDENTAL OR CONSEQUENTIAL DAMAGES, SO THE ABOVE LIMITATION OR EXCLUSION MAY NOT APPLY TO YOU; (B) ALSO, SOME JURISDICTIONS DO NOT ALLOW A LIMITATION ON HOW LONG AN IMPLIED WARRANTY LASTS, SO THE ABOVE LIMITATION MAY NOT APPLY TO YOU; AND (C) BY LAW, DURING THE PERIOD OF THIS LIMITED WARRANTY, ANY IMPLIED WARRANTIES OF MERCHANTABILITY OR FITNESS FOR A PARTICULAR PURPOSE APPLICABLE TO CONSUMER PRODUCTS PURCHASED BY CONSUMERS, MAY NOT BE EXCLUDED OR OTHERWISE DISCLAIMED.

THIS LIMITED WARRANTY ONLY APPLIES TO UNITED STATES PURCHASERS FOR DELIVERY IN THE UNITED STATES.

**WARRANTY SERVICE**

To obtain warranty service if you purchased the covered product directly from W.W. Grainger, Inc. ("Grainger"), (i) write or call or visit the local Grainger branch from which the product was purchased or another Grainger branch near you (see www.grainger.com for a listing of Grainger branches); or (ii) contact Grainger by going to www.grainger.com and clicking on the "Contact Us" link at the top of the page, then clicking on the "Email us" link; or (iii) call Customer Care (toll free) at 1-888-361-8649. To obtain warranty service if you purchased the covered product from another distributor or retailer, (i) go to www.grainger.com for Warranty Service; (ii) write or call or visit a Grainger branch near you; or (iii) call Customer Care (toll free) at 1-888-361-8649. In any case, you will need to provide, to the extent available, the purchase date, the original invoice number, the stock number, a description of the defect, and anything else specified in this Dayton One-Year Limited Warranty. You may be required to send the product in for inspection at your cost. You can follow up on the progress of inspections and corrections in the same ways. Title and risk of loss pass to buyer on delivery to common carrier, so if product was damaged in transit to you, file claim with carrier, not retailer, Grainger or Dayton. For warranty information for purchasers and/or delivery outside the United States, please use the following applicable contact information:

Dayton Electric Mfg. Co.,  
 100 Grainger Parkway, Lake Forest, IL 60045 U.S.A.  
 or call +1-888-361-8649

