



Instructions for the following series products:

Parapet Wall Anchor

(MODEL NUMBER: 8523178)

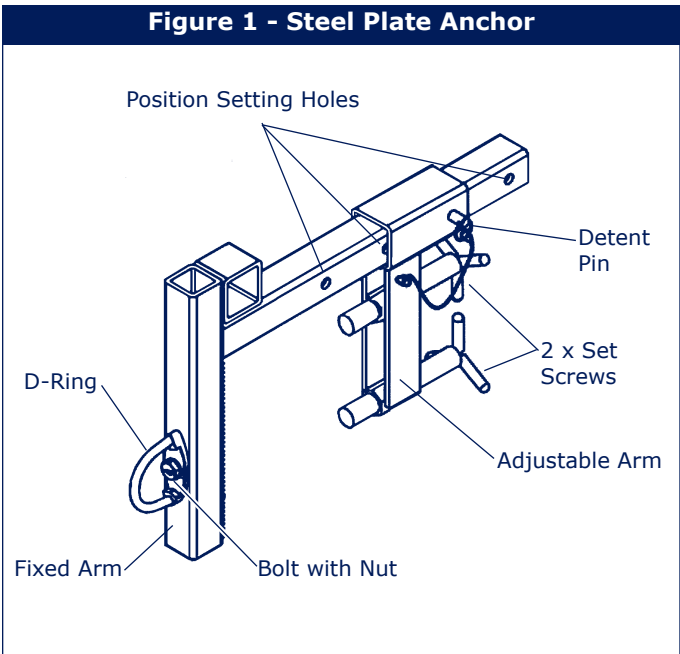
USER INSTRUCTION MANUAL FOR PARAPET WALL ANCHOR

This manual is intended to meet the Manufacturer's Instructions as required by ANSI Z359.1, and the Canadian Standards Association, and should be used as part of an employee training program as required by OSHA.

WARNING: This product is part of a fall arrest system. These instructions must be provided to all users and rescuers (see section 8 Terminology) using this equipment. The user must read and understand these instructions before using this equipment. The user must follow the manufacturer's instructions for each component of the system. Manufacturer's instructions must be followed for proper use and maintenance of this equipment. Alterations or misuse of this equipment, or failure to follow instructions, may result in serious injury or death.

IMPORTANT: If you have questions on the use, care, or suitability of this equipment for your application, contact DBI-SALA.

IMPORTANT: Before using this equipment, record the product identification information from the ID label into the inspection and maintenance log in section 10.0 of this manual.



1.0 APPLICATIONS:

1.1 PURPOSE: DBI-SALA's Parapet Wall Anchor is a portable anchorage connector designed for fall arrest applications and was developed to be used in locations where a low parapet wall provides an anchor site. Do not hang, lift or support tools or equipment from this device.

A. FALL ARREST: In this application, the parapet wall anchor is used as part of a complete fall arrest system. Such systems typically include a full body harness, and must include either a shock absorbing lanyard or self retracting lifeline. Maximum permissible free fall is 6 feet (1.8 m).

1.2 LIMITATIONS: The following application limitations must be recognized and considered before using this product:

- A. ANCHORAGE:** This anchorage connector system is intended to be installed on a parapet wall up to 14 1/2 inches (36.8 cm) thick and the wall must meet the anchorage strength requirements as set forth in section 2.4.
- B. CAPACITY:** This anchorage connector system is designed for use by persons with a combined weight (person, clothing, tools, etc.) of no more than 310 lbs. (141 kg). Only one personal protective system may be connected to the anchorage connector.
- C. FREE FALL:** Personal fall arrest systems must be rigged in such a way as to limit the free fall to a maximum of 6 feet (1.8 m) (Ref. ANSI Z359.1). See associated connecting subsystem manufacturer's instructions for further information.
- D. FALL CLEARANCE:** Make certain that enough clearance exists in all potential fall paths to prevent striking an object. The amount of clearance needed is dependent upon the type of connecting subsystem used (ie. shock absorbing lanyard or self retracting lifeline), and the anchorage location. Refer to manufacturer's instructions of the connecting subsystem or component for more information on fall clearance.

- E. CORROSION:** Do not leave this equipment for long periods in environments where corrosion of metal parts could take place as a result of vapors rising into the atmosphere from organic materials. Caution should be exercised when working around sewage or fertilizer because of their high concentration of ammonia which is very corrosive. Use near sea water or other corrosive environments may require more frequent inspections or servicing to assure corrosion damage is not affecting the performance of the product.
- F. CHEMICAL HAZARDS:** Solutions containing acids, alkali, or other caustic chemicals, especially at elevated temperatures may cause damage to this equipment. When working with such chemicals, frequent inspection of this equipment must be performed. Consult DBI-SALA if doubt exists concerning using this equipment around chemical hazards.
- G. HEAT:** This equipment is not designed for use in high temperature environments. Protection should be provided for this equipment when used near welding, metal cutting, or similar activities. Consult DBI-SALA for details on high temperature environments.
- H. ELECTRICAL HAZARDS:** Due to the possibility of electric current flowing through this equipment, or connecting components (hooks), use extreme caution when working near high voltage power lines.
- I. ARRESTING FORCE:** Personal fall arrest subsystem components used in combination with this product must maintain fall arrest forces below 1800 lbs. (816.5 kg). Only use a shock absorbing lanyard or self retracting lifeline with this product.
- J. TRAINING:** This equipment is intended to be used by persons who have been properly trained in its correct application and use.

1.3 APPLICABLE STANDARDS: Refer to national standards, including the ANSI Z359 (.0, .1, .2, .3, and .4) family of standards on fall protection, ANSI A10.32, and applicable local, state, and federal (OSHA) requirements governing occupational safety, for more information on fall arrest systems.

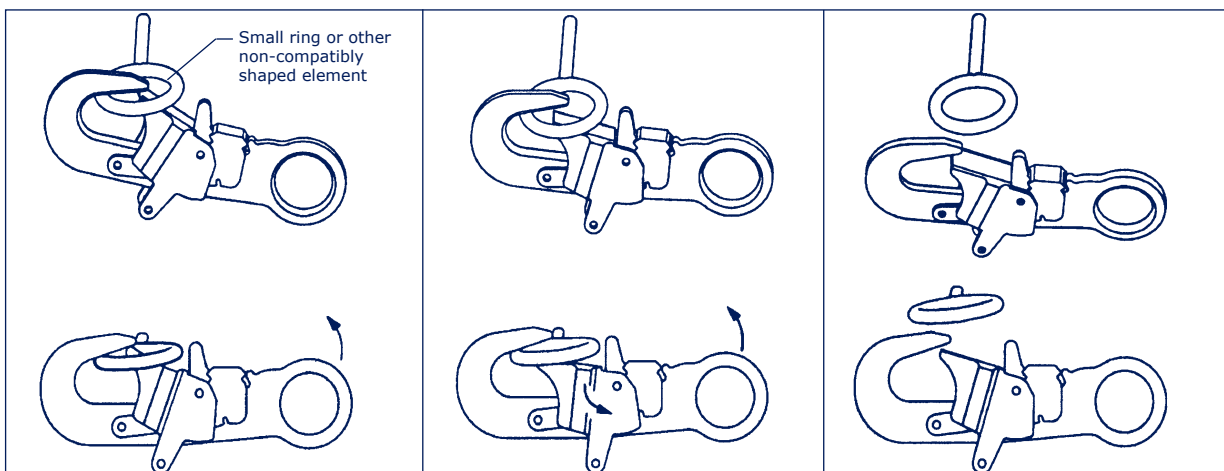
2.0 SYSTEM REQUIREMENTS

2.1 COMPATIBILITY OF COMPONENTS: DBI-SALA equipment is designed for use with DBI-SALA approved components and subsystems only. Substitutions or replacements made with non-approved components or subsystems may jeopardize compatibility of equipment and may effect the safety and reliability of the complete system. Contact DBI-SALA if you have any questions about compatibility of equipment.

2.2 COMPATIBILITY OF CONNECTORS: Connectors are considered to be compatible with connecting elements when they have been designed to work together in such a way that their sizes and shapes do not cause their gate mechanisms to inadvertently open regardless of how they become oriented. Contact DBI-SALA if you have any questions about compatibility.

Figure 2 - Unintentional Disengagement (Roll-out)

If the connecting element that a snap hook (shown) or carabiner attaches to is undersized or irregular in shape, a situation could occur where the connecting element applies a force to the gate of the snap hook or carabiner. This force may cause the gate (of either a self-locking or a non-locking snap hook) to open, allowing the snap hook or carabiner to disengage from the connecting point.



1. Force is applied to the snap hook.

2. The gate presses against the connecting ring.

3. The gate opens allowing the snap hook to slip off.

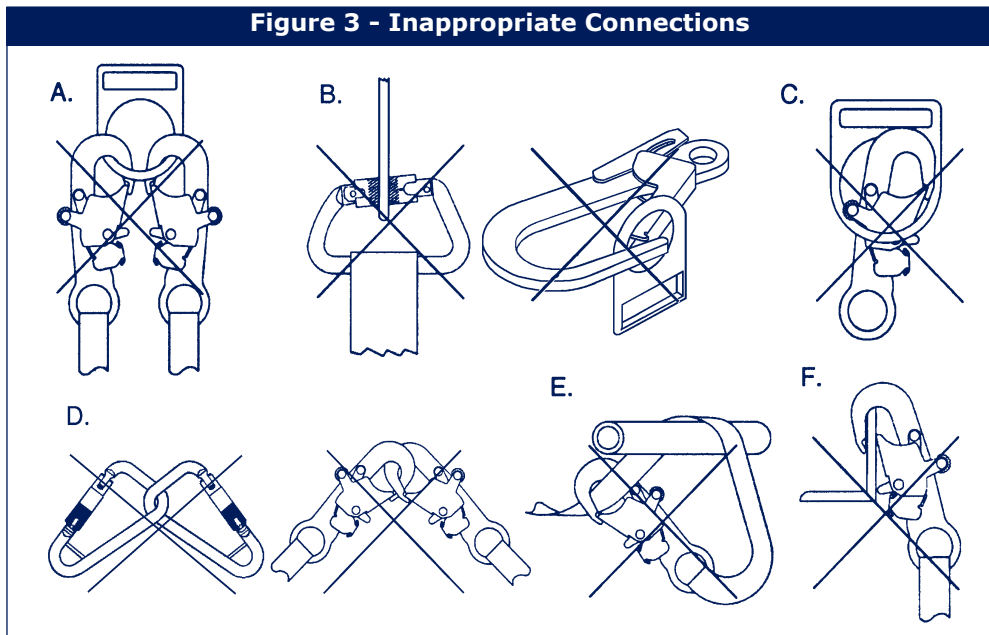
Connectors (hooks, carabiners, and D-rings) must be capable of supporting at least 5,000 lbs. (22.2 kN). Connectors must be compatible with the anchorage or other system components. Do not use equipment that is not compatible. Non-compatible connectors may unintentionally disengage. See Figure 2. Connectors must be compatible in size, shape, and strength. Self locking snap hooks and carabiners are required by ANSI Z359.1 and OSHA.

2.3 MAKING CONNECTIONS: Only use self-locking snap hooks and carabiners with this equipment. Only use connectors that are suitable to each application. Ensure all connections are compatible in size, shape and strength. Do not use equipment that is not compatible. Ensure all connectors are fully closed and locked.

DBI-SALA connectors (snap hooks and carabiners) are designed to be used only as specified in each product's user's instructions. See Figure 3 for inappropriate connections. DBI-SALA snap hooks and carabiners should not be connected:

- A. To a D-ring to which another connector is attached.
- B. In a manner that would result in a load on the gate.

NOTE: Large throat opening snap hooks should not be connected to standard size D-rings or similar objects which will result in a load on the gate if the hook or D-ring twists or rotates. Large throat snap hooks are designed for use on fixed structural elements such as rebar or cross members that are not shaped in a way that can capture the gate of the hook.



- C. In a false engagement, where features that protrude from the snap hook or carabiner catch on the anchor and without visual confirmation seems to be fully engaged to the anchor point.
- D. To each other.
- E. Directly to webbing or rope lanyard or tie-back (unless the manufacturer's instructions for both the lanyard and connector specifically allow such a connection).
- F. To any object which is shaped or dimensioned such that the snap hook or carabiner will not close and lock, or that roll-out could occur.

2.4 ANCHORAGE STRENGTH: Anchorages selected for personal fall arrest systems (PFAS) shall have a strength capable of sustaining static loads, applied in the directions permitted by the PFAS, of at least: (A) 3,600 lbs. (16 kN) when certification exists (Reference ANSI Z359.1 for certification definition), or (B) 5,000 lbs. (22.2 kN) in the absence of certification. When more than one PFAS is attached to an anchorage (ie. I-beam, etc.), the anchorage strengths set forth in (A) and (B) above shall be multiplied by the number of personal fall arrest systems attached to the anchorage.

3.0 OPERATION AND USAGE:

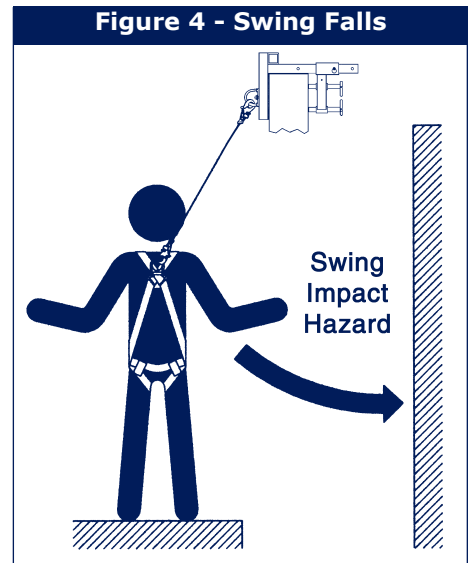
WARNING: Do not alter or intentionally misuse this equipment. Consult DBI-SALA when using this equipment in combination with other components or subsystems other than those described in this manual. Some subsystem and component combinations may interfere with the proper operation of this equipment. Use caution when using this equipment around moving machinery and electrical hazards. Use caution when using this equipment around sharp edges and chemical hazards.

WARNING: Consult your doctor if there is any reason to doubt your fitness to safely absorb the shock from a fall arrest. Age and fitness seriously affect a workers ability to withstand falls. Pregnant women or minors must not use DBI-SALA parapet wall anchors.

3.1 BEFORE EACH USE of this equipment, carefully inspect it to assure that it is in serviceable condition. Check for worn or damaged parts; ensure all hardware is present and secure and is not distorted, or have any sharp edges, burrs, cracks, or corrosion. Refer to section 5.0 for further inspection details. Do not use this equipment if inspection reveals an unsafe condition.

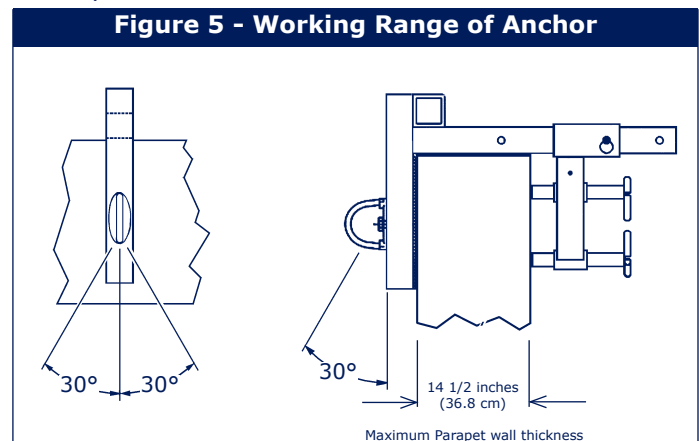
3.2 PLAN your fall arrest system before starting work. Take into consideration factors that affect your safety at any time during use. The following list gives some important points to consider when planning your system:

- A. ANCHORAGE:** Select an anchorage point that is rigid and capable of supporting the required loads. See section 2.4.
- B. FREE FALL:** Personal fall arrest systems must be rigged to limit any free fall to a maximum of 6 feet (1.8 m) (Federal Law and ANSI Z359.1). Avoid working above your anchorage level since an increased free fall distance will result. Consult DBI-SALA for maximum free fall distances for applications other than fall arrest.
- C. SYSTEM PERFORMANCE:** The parapet wall anchor must be used in combination with either a shock absorbing lanyard or a self retracting lifeline that will limit the maximum fall arrest forces to 1800 lbs.
- D. FALL CLEARANCE:** Should a fall occur, there must be sufficient clearance in the fall area to arrest the fall before striking the ground or other object. The actual clearance required is dependent upon the type of fall arrester connecting subsystem used (shock absorbing lanyard or self retracting lifeline). Energy Absorbing Lanyards can extend the fall arrest distance by up to 42 inches (1.07 m).
- E. SWING FALLS:** Swing falls occur when the anchorage point is not directly above the point where a fall occurs. See Figure 4. The force of striking an object while swinging can be great and may cause serious injury. Swing falls can be minimized by working as directly below the anchorage as possible. Do not work at more than a 30 degree angle from vertical below the parapet wall anchor, working beyond this range could create a swing fall situation. See Figure 5.
- F. SHARP EDGES:** Avoid working where the connecting subsystem (ie. shock absorbing lanyard, self retracting lifeline, full body harness, etc.) or other system components will be in contact with, or abrade against, unprotected sharp edges. If working with this equipment near sharp edges is unavoidable, protection against cutting must be provided by using a heavy pad or other means over the exposed sharp edge.
- G. RESCUE:** Should a fall occur, the user (employer) must have a rescue plan and the means at hand to implement it.
- H. AFTER A FALL:** Any equipment which has been subjected to the forces of arresting a fall must be removed from service immediately and destroyed or sent to a factory authorized service center for repair.
- I. ABUSE:** Avoid dropping the parapet wall anchor from a height or allowing it to strike against a structure which could damage it.
- J. FOREIGN ELEMENTS:** Avoid contaminating the equipment with paints, cement or other materials which could adversely effect the performance of the product.



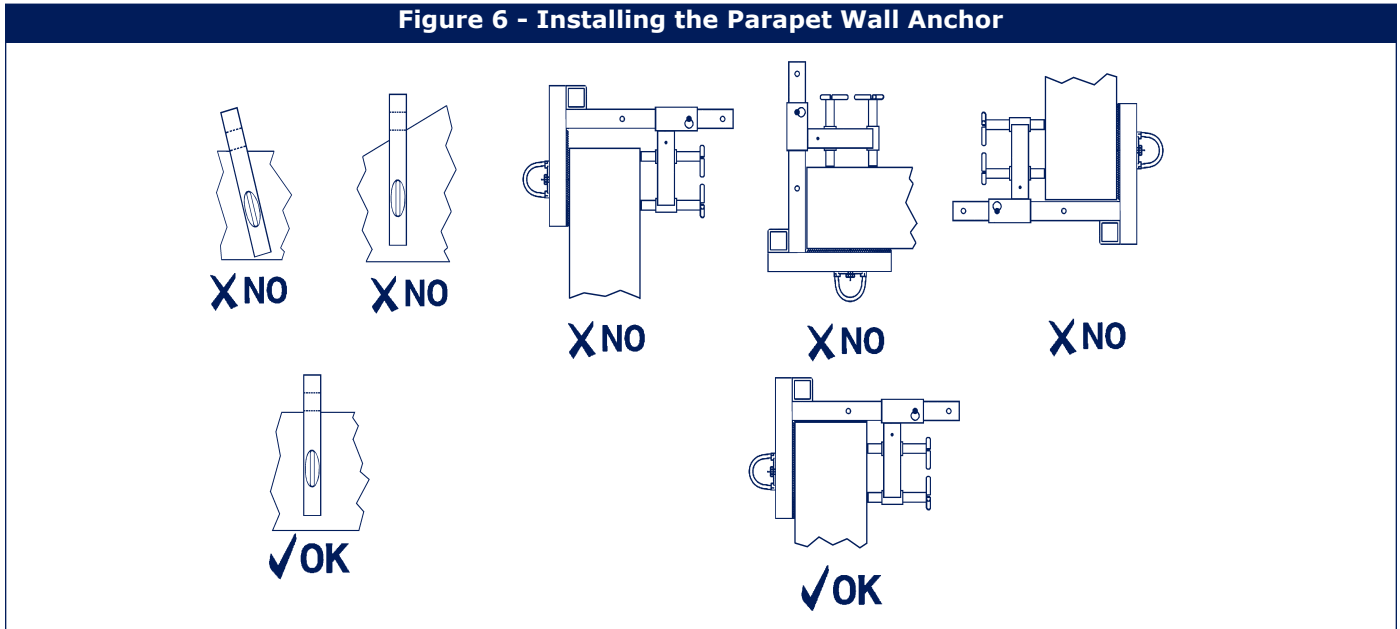
3.3 INSTALLATION REQUIREMENTS:

- A. SUPERVISION:** It is recommended that this equipment is installed under the supervision of a qualified person as defined by OSHA 1910.66 Appendix C.
- B. ANCHORAGE CONNECTOR LOCATION:** Select an anchorage with suitable anchorage strength requirements (see section 2.4) which will provide the best overall safety to the user. The following are some considerations that must be made when choosing an anchorage location: the wall on which the Parapet Wall



Anchors is to be installed may be a maximum of 14.5 inches (36.8 cm) thick and must meet the strength requirements specified in section 2.4, the location must be safely accessible when connecting to or disconnecting from the anchor, swing falls should not be permitted if injury could occur should the user fall, the location must be free of other equipment or moving parts, there must be adequate total fall clearance, and there must be a rescue means. The anchorage must allow the parapet wall anchor to hang in a vertical orientation. Do not install the parapet wall anchor on an incline, at an angle, or upside-down. See Figure 6.

Figure 6 - Installing the Parapet Wall Anchor



- C. INSTALLATION:** (See Figure 1 for referenced parts). Unscrew the set screws so the points do not protrude into the anchor slot. Remove the detent pin and move the adjustable arm back far enough to allow the clamp to fit over the parapet wall. Make sure the top surface within the anchor slot is fully seated on the parapet wall. Slide the adjustable arm toward the parapet wall and reinsert the detent pin through the appropriate position setting holes. Tighten each set screw until it makes contact with the parapet wall. Hand tighten the screws until snug. Excessive torque can damage the parapet wall or the parapet wall anchor.

WARNING: Read and follow manufacturer's instructions for associated equipment (ie. full body harness, shock absorbing lanyard, self retracting lifeline, etc.) used in your personal fall arrest system.

- 3.4 MAKING CONNECTIONS:** When connecting to the parapet wall anchor self-locking snap hooks or self-locking and self-closing gate carabiners must be used to reduce the possibility of roll-out. Do not use hooks or connectors that will not completely close over the attachment object. Do not use non-locking snap hooks. Always follow the manufacturer's instructions supplied with each system component.
- 3.5 CONNECTING TO THE PARAPET WALL ANCHOR:** The parapet wall anchor is an anchorage connector for a shock absorbing lanyard or a self retracting lifeline. Contact DBI-SALA for information regarding other possible connecting subsystems. Make sure the connector (ie. self-locking snap hook of lanyard) is fully engaged and locked onto the back D-ring (dorsal) of the body support. Make sure connections are compatible (size, shape, strength, etc.).

If connecting a shock absorbing lanyard to the parapet wall anchor, follow the above instructions to connect one end of lanyard (shock absorber pack end) to body support and connect the other end to the parapet wall anchor making sure the self-locking snap hook is fully engaged and locked onto the D-ring.

If using a self retracting lifeline, it must be connected to the D-ring with a self-locking and self-closing carabiner (attach the carabiner to the anchorage location on SRL), the self retracting lifeline must hang vertically. Then connect the lifeline end of the SRL to the body support (harness). Make sure the connector (ie. self-locking snap hook, carabiner) is fully engaged and locked onto the anchorage connector, SRL and body support. Make sure connections are compatible (size, shape, strength, etc.).

WARNING: When attaching a self retracting lifeline to a parapet wall anchor, make certain the SRL hangs vertically and freely (not at an angle).

If installing a horizontal lifeline, follow the manufacturer's instructions for installation and use provided with the horizontal lifeline system.

4.0 TRAINING:

- 4.1** It is the responsibility of the user and the purchaser of this equipment to assure they are familiar with these instructions, trained in the correct care and use of, and are aware of the operating characteristics, application limits and the consequences of improper use of this equipment.

IMPORTANT: Training must be conducted without exposing the trainee to a fall hazard. Training should be repeated on a periodic basis.

5.0 INSPECTION:

5.1 FREQUENCY

- Before each use, visually inspect per steps listed in section 5.2 and 5.3.
- This equipment must be inspected by a competent person other than the user at least annually. See section 5.2 and 5.3 for guidelines. Record the results of each formal inspection in the inspection log in section 10.0.

IMPORTANT: Extreme working conditions (harsh environments, prolong use, etc.) may require increasing the frequency of inspections.

IMPORTANT: If this equipment has been subjected to forces resulting from the arrest of a fall, it must be immediately removed from service and destroyed or returned to DBI-SALA for possible repair. See section 5.2.

5.2 INSPECTION STEPS

- Step 1. Inspect the parapet wall anchor for physical damage. Look carefully for any signs of cracks, dents or deformities in the metal.
- Step 2. Inspect the parapet wall anchor for signs of excessive corrosion.
- Step 3. Ensure that the working parts are free from excessive dirt, oil, or other build-up.
- Step 4. Inspect the D-ring, fixed arm, and fasteners. The D-ring must be free of cracks, dents or deformities in the metal. The fixed arm and bolt holding the D-ring must be undamaged and the nut fastened tightly to the bolt.
- Step 5. Inspect the points of the set screws. The points must not be broken and must be sharp enough to bite into a mild parapet wall.
- Step 6. Inspect the detent pin to ensure that it inserts fully through the position setting holes of the arms.
- Step 6. Inspect labels, all labels should be present and fully legible. See section 9.0. Labels must be replaced if illegible or missing.
- Step 7. Inspect each system component or subsystem per associated manufacturer's instructions.
- Step 8. Record the inspection date and results in the inspection log. See section 10.0.

- 5.3** If inspection reveals a defective condition, remove the unit from service immediately and destroy or contact a factory authorized service center for repair.

NOTE: Only DBI-SALA or parties authorized in writing may make repairs to this equipment.

6.0 MAINTENANCE - SERVICING - STORAGE:

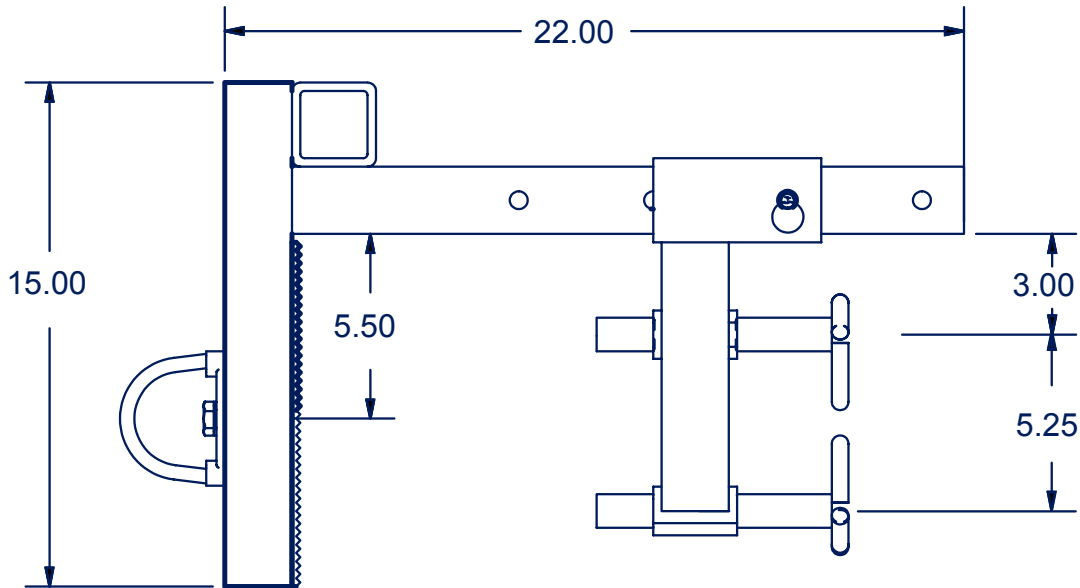
- 6.1** Clean the anchorage connector (parapet wall anchor) with mild soap detergent solution and rinse. The working parts may be sprayed sparingly with a moisture repelling agent. Excessive build-up of dirt, paint, etc. may prevent the anchorage connector from working properly.
- 6.2** If you have any questions concerning the condition of your parapet wall anchor or have any doubt about putting it into service contact DBI-SALA immediately.

7.0 SPECIFICATIONS:

7.1 MATERIALS:

- Material: Zinc Plated Steel
- Minimum Breaking Strength: 5,000 lbs. (22.2 kN)
- Maximum Capacity: 310 lbs. (141 kg) (one person)
- Weight: 28 lbs. (12.7 kg)
- Parapet Wall Thickness: Up to 14.5 inches (36.8 cm)

7.2 DIMENSIONS:



8.0 TERMINOLOGY

AUTHORIZED PERSON: A person assigned by the employer to perform duties at a location where the person will be exposed to a fall hazard (otherwise referred to as "user" for the purpose of these instructions).

RESCUER: Person or persons other than the rescue subject acting to perform an assisted rescue by operation of a rescue system.

CERTIFIED ANCHORAGE: An anchorage for fall arrest, positioning, restraint, or rescue systems that a qualified person certifies to be capable of supporting the potential fall forces that could be encountered during a fall or that meet the criteria for a certified anchorage prescribed in this standard.

QUALIFIED PERSON: A person with a recognized degree or professional certificate and with extensive knowledge, training, and experience in the fall protection and rescue field who is capable of designing, analyzing, evaluating and specifying fall protection and rescue systems to the extent required by this standard.

COMPETENT PERSON: One who is capable of identifying existing and predictable hazards in the surroundings or working conditions which are unsanitary, hazardous, or dangerous to employees, and who has authorization to take prompt corrective measures to eliminate them.

9.0 LABELS

9.1 The following labels must be present and fully legible:



ENGLISH WARNING LABEL



FRENCH WARNING LABEL



LOADING DIRECTION LABEL

SPECIFICATION, INSPECTION AND USE LABEL

<p>www.capisafety.com USA: 800-238-6146 Canada: 1-800-387-7464 SIA: 833-8992-6881 E.U.: 01-70-00-10 NE LTD AUSTRALIA 800-345-602</p>	<p>DBI SALA PARAPET ANCHOR</p>	<p>▲ WARNING Manufacturer's instructions must be read and understood prior to use. Instructions supplied with this product at time of shipment must be followed for proper use, maintenance and inspection. Alteration or misuse of this product, or failure to follow instructions could result in serious injury or death. Make only compatible connections. See user manual.</p>	<p>▲ AVERTISSEMENT Le notice d'utilisateur du fabricant doit être lu et compris avant toute utilisation. Les instructions de la notice doivent être suivies pour assurer correctement l'appareil ainsi que l'entretien et l'inspection. Le produit endommagé, une mauvaise utilisation ou le non-respect des instructions peut conduire à des blessures graves, voire mortelles. Ne faire que des connexions appropriées. Lire le notice d'instruction.</p>	<p>SPECIFICATIONS: Capacity: 310 lbs (141 kg) Weight: 2.10 lbs (0.95 kg) Zinghi: 1.10 lbs (0.50 kg) Standards: Meets OSHA requirements</p> <p>Caractéristiques: Capacité: 310 lbs (141 kg) Poids: 2,10 lb (0,95 kg) Zinghi: 1,10 lb (0,50 kg) Normes: conforme aux exigences OSHA</p>	<p>INSPECTION: Inspect anchor before each use. At least monthly, anchor should be inspected by a competent person in accordance with the User Manual. Do not use if inspection reveals an unsafe or defective condition. Not user repairable.</p> <p>INSPECTION: Inspecter avant chaque utilisation. Au moins mensuellement, le produit doit être inspecté par une personne compétente selon les exigences du manuel d'utilisation. Ne pas utiliser si l'inspection révèle un usage risqué. L'appareil ne peut pas être réparé par l'utilisateur.</p> <p>MFRD (YR/MO) LOT: (Lot de FABR. (AA/MM)) MODEL NO./N° de model 8523178</p>	<p>USE: See User Manual for details on making connections. Do not allow lifeline to abrade against sharp edges during use. Use caution when using this equipment near hazardous thermal, electrical, or chemical sources. Refer to User Manual for additional information.</p> <p>Utilisation: Utilisation - voir le manuel d'utilisation pour les détails de connexion. Ne pas permettre que la ligne de vie soit en contact avec des bords tranchants. Prenez toute précaution nécessaire lors d'utilisation près de zones à risques thermiques, électriques ou chimiques. Référez-vous au manuel d'utilisation pour davantage de renseignements.</p>	<p>PK: 852479</p>
---	---	---	---	---	--	---	-------------------

9.0 INSPECTION AND MAINTENANCE LOG

DATE OF MANUFACTURE _____

MODEL NUMBER _____

DATE OF PURCHASE _____

INSPECTION DATE	INSPECTION ITEMS NOTED	CORRECTIVE ACTION	MAINTENANCE PERFORMED
Approved by:			
Approved by:			
Approved by:			
Approved by:			
Approved by:			
Approved by:			
Approved by:			
Approved by:			
Approved by:			
Approved by:			
Approved by:			
Approved by:			
Approved by:			
Approved by:			
Approved by:			
Approved by:			
Approved by:			
Approved by:			



A Capital Safety Company

USA
3833 SALA Way
Red Wing, MN 55066-5005
Toll Free: 800-328-6146
Phone: (651) 388-8282
Fax: (651) 388-5065
Email: solutions@capitalsafety.com
www.capitalsafety.com

Canada
260 Export Boulevard
Mississauga, Ontario L5S 1Y9
Toll Free: 800-387-7484
Phone: (905) 795-9333
Fax: (905) 795-8777
Email: solutions@capitalsafety.com
www.capitalsafety.com

This manual is available for download at www.capitalsafety.com.



Form: 5902395
Rev: A