

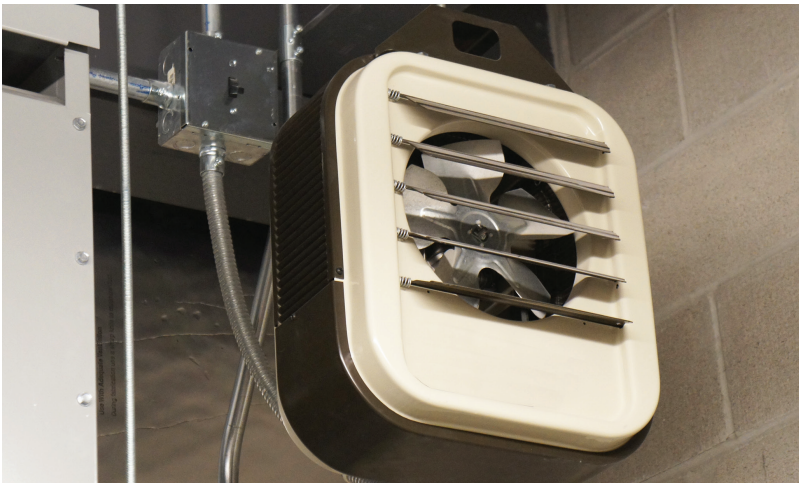
AVAILABLE THROUGH

**GRAINGER**<sup>®</sup>

FOR THE ONES WHO GET IT DONE

GRAINGER.COM<sup>®</sup> | 1.800.GRAINGER

# WHEN SAFETY MATTERS - QMARK MUH ELECTRIC UNIT HEATERS



Marley QMark MUH series electric unit heaters are the perfect solution for heating large commercial spaces where safety is top of mind. These fan-forced heaters provide powerful airflow and heat, without venting or combustion. MUH series unit heaters can be installed either horizontally or vertically, up and away from foot and equipment traffic. Adjustable louvers and bracketing options provide air targeting flexibility.

**DIMENSIONS** | Varies (see diagram)

**TEMP RANGE** | 40°-90° F

**CFM** | 350-3000

**COLORS** | Beige/Bronze

**IDEAL SPACES** | Factories; Warehouses; Garages; Stairwells; Shipping Docks; Power Stations; Mechanical Rooms



## FEATURES & BENEFITS |

- Wide range of optional control kits are field-installable, increasing the unit's adaptability to specification market
- Small- to medium-case construction is 20-gauge steel with larger cabinet 18-gauge steel
- Advanced pull-through air flow design draws air across heating element for even air distribution and cooler element operation
- Specially designed venturi outlet to meet required additional air throw in vertical position
- Branch circuit fusing (when required)
- Completely enclosed fan motor
- 2-speed fan selector switch (25 to 50 kW models)
- Optional fan-only switch for air movement with no heat
- 1- or 3-phase wiring on 5 kW through 10 kW 208/240V and 15 kW 208V units (field-interchangeable)
- Aluminum-finned, copper-clad steel sheath heating element extends life due to cooler sheath temperature and faster heat dissipation
- 24V control transformer standard on most models, providing safer and more accurate means of temperature control. 3 kW and 5 kW, 208-277V, have line voltage controls as standard (24V control available on made-to-order basis)
- Automatic reset linear thermal cut-out, capillary type, provides protection over entire length of element areas (manual reset protection available on made-to-order basis)
- No piping flues, valves or traps needed for installation
- Individually adjustable louvers to direct air flow

FOR CUSTOMER INTERNAL USE ONLY

**QMARK**<sup>®</sup>  
A Marley Engineered Products Brand

AVAILABLE THROUGH

**GRAINGER**

FOR THE ONES WHO GET IT DONE

GRAINGER.COM® | 1.800.GRAINGER

# QMARK MUH ELECTRIC UNIT HEATERS - MODELS & SPECIFICATIONS

| Granger No. |                  | Manufacturer No. |           | ELECTRICAL DATA |             |                  |                         | AIR DELIVERY DATA & FAN MOTOR DATA |           |              |         | MOUNTING HEIGHT |         |        |       | Wire Size    |           |
|-------------|------------------|------------------|-----------|-----------------|-------------|------------------|-------------------------|------------------------------------|-----------|--------------|---------|-----------------|---------|--------|-------|--------------|-----------|
| Granger No. | Manufacturer No. | Phase            | kW        | BTU/HR          | Amps (3)    | Control Volt (1) | 2-Stage Element Control | CFM (2)                            | FPM (2)   | Delta-T (°F) | Volts   | RPM (2)         | HP      | Horiz. | Vert. | Horiz. Throw | Wire Size |
| 25D231      | MUH321           | 1                | 2.2/3.0   | 7.5/10.2        | 11.0/12.5   | 208/240          | N/A                     | 350                                | 800       | 27*          | 208/240 | 1600            | 1/100HP | 8      | 9     | 12           | AWG 12    |
| 20CA05      | MUH331           | 1                | 3         | 10.2            | 8.6         | 347              | N/A                     | 350                                | 800       | 27*          | 347     | 1600            | 1/100HP | 8      | 9     | 12           | AWG 14    |
| 25D232      | MUH341*          | 3                | 3         | 10.2            | 3.6         | 24               | N/A                     | 350                                | 800       | 27*          | 480     | 1600            | 1/100HP | 8      | 9     | 12           | AWG 14    |
| 20CA06      | MUH361*          | 3                | 3         | 10.2            | 2.9         | 24               | N/A                     | 350                                | 800       | 27*          | 600     | 1600            | 1/100HP | 8      | 9     | 12           | AWG 14    |
| 20CA07      | MUH371           | 1                | 3         | 10.2            | 11          | 277              | N/A                     | 350                                | 800       | 27*          | 277     | 1600            | 1/100HP | 8      | 9     | 12           | AWG 14    |
| 25D233      | MUH381           | 1                | 3         | 10.2            | 14.5        | 208              | N/A                     | 350                                | 800       | 27*          | 208     | 1600            | 1/100HP | 8      | 9     | 12           | AWG 12    |
| 25D234      | MUH321*          | 1/1/3            | 3.7/5.0   | 12.6/17.0       | 18.0/21.0   | 208/240          | 5A                      | 350                                | 800       | 45*          | 208/240 | 1600            | 1/100HP | 8      | 9     | 12           | AWG 10    |
| 20CA08      | MUH351           | 1                | 5         | 17              | 14.4        | 347              | N/A                     | 350                                | 800       | 45*          | 347     | 1600            | 1/100HP | 8      | 9     | 12           | AWG 10    |
| 25D235      | MUH341*          | 3                | 5         | 17              | 6           | 24               | N/A                     | 350                                | 800       | 45*          | 480     | 1600            | 1/100HP | 8      | 9     | 12           | AWG 14    |
| 20CA09      | MUH361*          | 3                | 5         | 17              | 4.8         | 24               | N/A                     | 350                                | 800       | 45*          | 600     | 1600            | 1/100HP | 8      | 9     | 12           | AWG 10    |
| 20CA10      | MUH371*          | 1                | 5         | 17              | 18          | 277              | N/A                     | 350                                | 800       | 45*          | 277     | 1600            | 1/100HP | 8      | 9     | 12           | AWG 10    |
| 25D236      | MUH381*          | 1/1/3            | 5         | 17              | 24          | 208              | 5A                      | 350                                | 800       | 45*          | 208     | 1600            | 1/100HP | 8      | 9     | 12           | AWG 10    |
| 25D237      | MUH372*          | 1/1/3            | 5.6/7.5   | 19.1/25.6       | 27.0/31.3   | 24               | 5B                      | 650                                | 970       | 37*          | 208/240 | 1600            | 1/30HP  | 9      | 14    | 18           | AWG 8     |
| 20CA11      | MUH373           | 1                | 7.5       | 25.6            | 21.6        | 24               | 5B                      | 650                                | 970       | 37*          | 347     | 1600            | 1/30HP  | 9      | 14    | 18           | AWG 14    |
| 25D238      | MUH374*          | 3                | 7.5       | 25.6            | 9           | 24               | 5B                      | 650                                | 970       | 37*          | 480     | 1600            | 1/30HP  | 9      | 14    | 18           | AWG 14    |
| 20CA12      | MUH376*          | 3                | 7.5       | 25.6            | 7.3         | 24               | 5B                      | 650                                | 970       | 37*          | 600     | 1600            | 1/30HP  | 9      | 14    | 18           | AWG 14    |
| 19PNA5      | MUH377           | 1                | 7.5       | 25.6            | 27          | 24               | 5B                      | 650                                | 970       | 37*          | 277     | 1600            | 1/30HP  | 9      | 14    | 18           | AWG 8     |
| 25D232      | MUH378*          | 1/1/3            | 7.5       | 25.6            | 36          | 24               | 5B                      | 650                                | 970       | 37*          | 208     | 1600            | 1/30HP  | 9      | 14    | 18           | AWG 6     |
| 25D239      | MUH102*          | 1/1/3            | 7.5/10.0  | 25.6/34.1       | 36.0/42.0   | 24               | 5B                      | 650                                | 970       | 49*          | 208/240 | 1600            | 1/30HP  | 9      | 14    | 18           | AWG 6     |
| 20CA15      | MUH103           | 1                | 10        | 34.1            | 28.8        | 24               | 5B                      | 650                                | 970       | 49*          | 347     | 1600            | 1/30HP  | 9      | 14    | 18           | AWG 14    |
| 25D240      | MUH104*          | 3                | 10        | 34.1            | 12          | 24               | 5B                      | 650                                | 970       | 49*          | 480     | 1600            | 1/30HP  | 9      | 14    | 18           | AWG 14    |
| 20CA16      | MUH106*          | 3                | 10        | 34.1            | 9.7         | 24               | 5B                      | 650                                | 970       | 49*          | 600     | 1600            | 1/30HP  | 9      | 14    | 18           | AWG 14    |
| 20CA17      | MUH107           | 1                | 10        | 34.1            | 36          | 24               | 5B                      | 650                                | 970       | 49*          | 277     | 1600            | 1/30HP  | 9      | 14    | 18           | AWG 6     |
| 25D251      | MUH108*          | 1/1/3            | 11.2/15.0 | 38.2/51.2       | 31.3/36.1   | 24               | 5C                      | 910                                | 1640      | 52*          | 208/240 | 1530            | 1/20HP  | 11     | 20    | 35           | AWG 4     |
| 25D254      | MUH152*          | 3                | 15        | 51.2            | 18          | 24               | 5C                      | 910                                | 1640      | 52*          | 480     | 1530            | 1/20HP  | 11     | 20    | 35           | AWG 10    |
| 25D241      | MUH154*          | 3                | 15        | 51.2            | 14.5        | 24               | 5C                      | 910                                | 1640      | 52*          | 600     | 1530            | 1/20HP  | 11     | 20    | 35           | AWG 12    |
| 20CA20      | MUH156*          | 3                | 15        | 51.2            | 14.5        | 24               | 5C                      | 910                                | 1640      | 52*          | 208     | 1530            | 1/20HP  | 11     | 20    | 35           | AWG 2     |
| 25D253      | MUH158*          | 1/1/3            | 15        | 51.2            | 72          | 24               | 5A                      | 910                                | 1640      | 48*          | 208/240 | 1500            | 1/20HP  | 12     | 23    | 41           | AWG 4     |
| 20CA22      | MUH202*          | 3                | 15.0/20.0 | 51.2/68.2       | 41.2/48.0   | 24               | 5C                      | 1320                               | 2060      | 48*          | 480     | 1500            | 1/10HP  | 12     | 23    | 41           | AWG 10    |
| 20CA23      | MUH204*          | 3                | 20        | 68.2            | 24          | 24               | 5C                      | 1320                               | 2060      | 48*          | 600     | 1500            | 1/10HP  | 12     | 23    | 41           | AWG 10    |
| 20CA24      | MUH206*          | 3                | 20        | 68.2            | 19.3        | 24               | 5C                      | 1320                               | 2060      | 48*          | 600     | 1500            | 1/10HP  | 12     | 23    | 41           | AWG 12    |
| 20CA25      | MUH208*          | 3                | 20        | 68.2            | 56          | 24               | 5A                      | 1320                               | 2060      | 48*          | 208     | 1500            | 1/10HP  | 12     | 23    | 41           | AWG 4     |
| 20CA26      | MUH252*          | 3                | 18.7/25.0 | 63.8/85.2       | 52.0/60.0   | 24               | 5A                      | 2100/1800                          | 2100/2030 | 38*/44*      | 208/240 | 1600/1375       | 1/4HP   | 13     | 23    | 50           | AWG 3     |
| 20CA27      | MUH254*          | 3                | 25        | 85.2            | 30          | 24               | 5C                      | 2100/1800                          | 2100/2030 | 38*/44*      | 480     | 1600/1375       | 1/4HP   | 13     | 23    | 50           | AWG 8     |
| 20CA28      | MUH256*          | 3                | 25        | 85.2            | 24.2        | 24               | 5C                      | 2100/1800                          | 2100/2030 | 38*/44*      | 600     | 1600/1375       | 1/4HP   | 13     | 23    | 50           | AWG 10    |
| 20CA29      | MUH302*          | 3                | 22.5/30.0 | 76.7/102.3      | 63.0/72.3   | 24               | 5A                      | 2100/1800                          | 2100/2030 | 45*/53*      | 208/240 | 1600/1375       | 1/2HP   | 12     | 20    | 50           | AWG 2     |
| 20CA30      | MUH304*          | 3                | 30        | 102.3           | 36          | 24               | 5C                      | 2100/1800                          | 2100/2030 | 45*/53*      | 480     | 1600/1375       | 1/2HP   | 12     | 20    | 50           | AWG 6     |
| 20CA31      | MUH306*          | 3                | 30        | 102.3           | 29          | 24               | 5C                      | 2100/1800                          | 2100/2030 | 45*/53*      | 600     | 1600/1375       | 1/4HP   | 12     | 20    | 50           | AWG 8     |
| 20CA32      | MUH308*          | 3                | 30        | 102.3           | 84          | 24               | 5A                      | 2100/1800                          | 2100/2030 | 45*/53*      | 208     | 1600/1375       | 1/4HP   | 12     | 20    | 50           | AWG 1     |
| 20CA33      | MUH402*          | 3                | 30.0/40.0 | 102.3/136.4     | 83.4/96.4   | 24               | 5A                      | 3000/2600                          | 3260/2900 | 42*/49*      | 208/240 | 1525/1420       | 1/2HP   | 15     | 28    | 60           | AWG 10    |
| 20CA34      | MUH404*          | 3                | 40        | 136.4           | 48          | 24               | 5A                      | 3000/2600                          | 3260/2900 | 42*/49*      | 480     | 1525/1420       | 1/2HP   | 15     | 28    | 60           | AWG 4     |
| 20CA35      | MUH406*          | 3                | 40        | 136.4           | 38.7        | 24               | 5A                      | 3000/2600                          | 3260/2900 | 42*/49*      | 600     | 1525/1420       | 1/2HP   | 15     | 28    | 60           | AWG 6     |
| 20CA36      | MUH502*          | 3                | 37.5/50.0 | 127.3/170.5     | 104.2/120.4 | 24               | 5A                      | 3000/2600                          | 3260/2900 | 53*/61*      | 208/240 | 1525/1420       | 1/2HP   | 15     | 25    | 60           | AWG 30    |
| 20CA37      | MUH504*          | 3                | 50        | 170.5           | 60.2        | 24               | 5A                      | 3000/2600                          | 3260/2900 | 53*/61*      | 480     | 1525/1420       | 1/2HP   | 15     | 25    | 60           | AWG 4     |
| 20CA38      | MUH506*          | 3                | 50        | 170.5           | 48.3        | 24               | 5A                      | 3000/2600                          | 3260/2900 | 53*/61*      | 600     | 1525/1420       | 1/2HP   | 15     | 25    | 60           | AWG 3     |
| 20CA39      | MUH508*          | 3                | 50        | 170.5           | 139         | 24               | 5A                      | 3000/2600                          | 3260/2900 | 53*/61*      | 208     | 1525/1420       | 1/2HP   | 15     | 25    | 60           | AWG 40    |

\* See notes on page 4



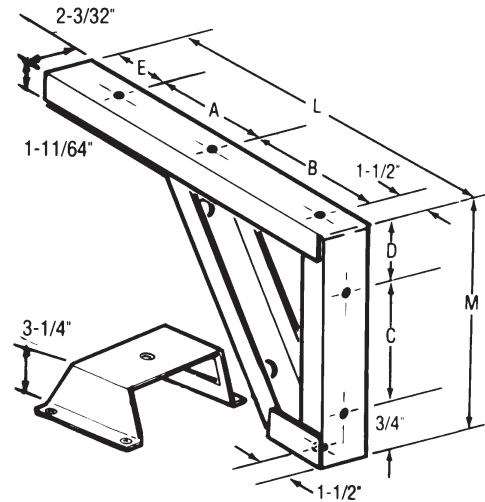
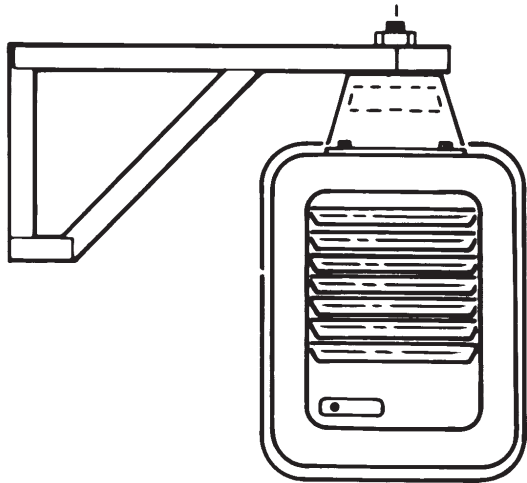
AVAILABLE THROUGH

**GRAINGER**<sup>®</sup>

FOR THE ONES WHO GET IT DONE

GRAINGER.COM<sup>®</sup> | 1.800.GRAINGER

# QMARK MUH ELECTRIC UNIT HEATERS - BRACKETS



## BRACKET SIZE

| DIMENSION | 3-20 kW (IN) | 25 - 50 kW (IN) |
|-----------|--------------|-----------------|
| A         | 7-1/4        | 9-7/16          |
| B         | 9-1/2        | 14-3/8          |
| C         | 7-1/4        | 12-1/8          |
| D         | 11-5/16      | 2-1/16          |
| E         | 2-1/4        | 3               |
| L         | 20-1/2       | 28-15/16        |
| M         | 9-15/16      | 14-15/16        |
| N         | 3-1/4        | 4-1/2           |

## FACTORY-INSTALLED OPTIONS FOR CONTROLS & ACCESSORIES

| DESCRIPTION   |
|---|
| MUH03 & 05 (208, 208/240, 277V Supply)<br>24 or 120V Control Transformer and Power Contactor<br>24 or 120V H.C. Power Contactor |
| MUH03 & 05 (480V Supply) & MUH07 thru MUH50<br>Optional 120V Control  |
| 2-Stage Control of Elements (See Note 5)  |
| Manual Reset  |
| Outlet Mesh (Bird Screen) For all MUH Heaters   |

NOTE: Any factory-installed options require added surcharge. See price book for charges or contact factory.

**MOUNTING LIMITATIONS:** Unit heaters should not be used in potentially explosive atmospheres. The finish is not intended for direct salt spray exposure in marine applications or the highly corrosive atmospheres of swimming pools, chemical storage bins, etc. Do not install unit heaters above recommended maximum mounting height. Obstructions must not block unit heater air inlet or discharge. Heaters must be mounted at least 7 ft. above the floor to prevent accidental contact with the heating element or fan blade which could cause injury.

**NOTE:** Any field installed options assembled in the factory require added surcharge. MPDS60 disconnect switch is not suitable for field installation on 7.5kw and 10kw unit heaters.

### NOTES FOR MODELS & SPECIFICATIONS CHART ON PAGE 2:

All standard units are supplied with a low voltage control transformer and contactor (24V) except MUH03 and MUH05, 208V, 240V and 277V models. Low voltage control on these units is available on made to order. All units are also available on special order for 120V control; internal with transformer or external without transformer. On dual-voltage units CFM, FPM, & RPM ratings are listed at higher voltage operation. On dual-phase units maximum amp draw is listed for respective voltage. 25 thru 50 KW models having two-speed motors and dual CFM ratings are listed in Full Line Catalog. 5A. Standard; 5B. Optional - made to order - amp load unbalanced on three-phase; 5C. Optional - made to order - amp load balanced on three-phase. \*Must use two-stage Thermostat on 3Ø operation.