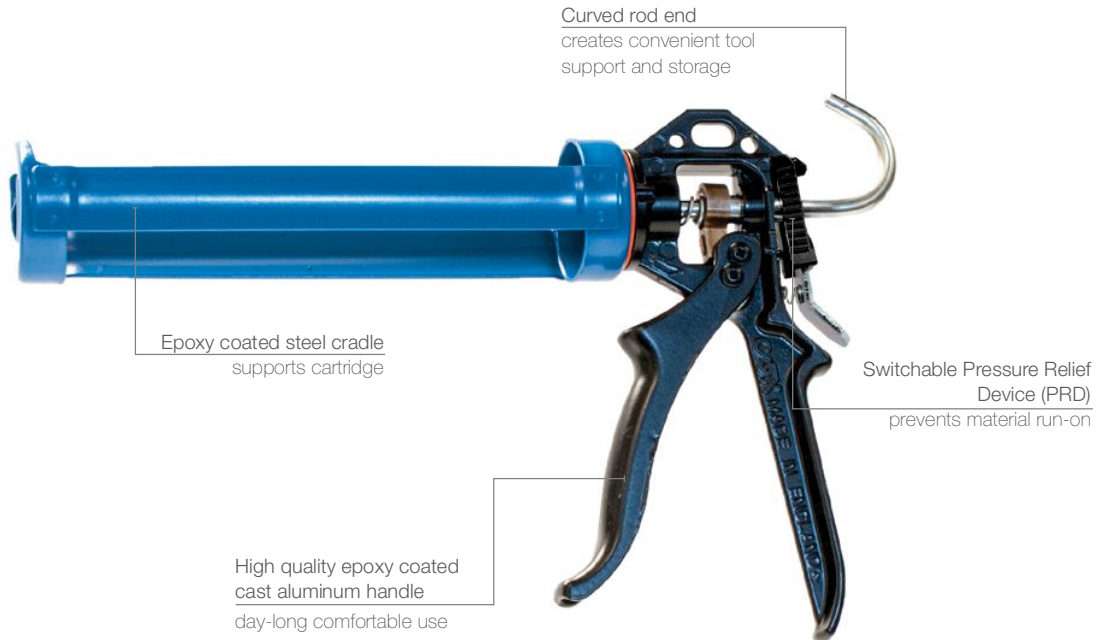




# COX™ 1-Component Dispenser

## PowerFlow™ HP Cartridge

A 1-component manual bead dispenser for 310/400mL cartridges.



Model shown: PowerFlow HP Cartridge 310mL

### Product advantages

- High quality epoxy coated cast aluminum handle for day-long comfortable use
- Epoxy coated steel cradle supports cartridge
- U-opening steel frame for ease of cartridge insertion and removal
- Switchable Pressure Relief Device (PRD) prevents material run-on when engaged

### Customer benefits

- High power for use with medium-high viscosity materials
- Maximum use of sealant with minimum waste
- Automatic wear compensation, for long tool life
- High quality epoxy coated cast aluminum handle
- Spike for piercing barrier in cartridges - US only

### Applications



### Product by range



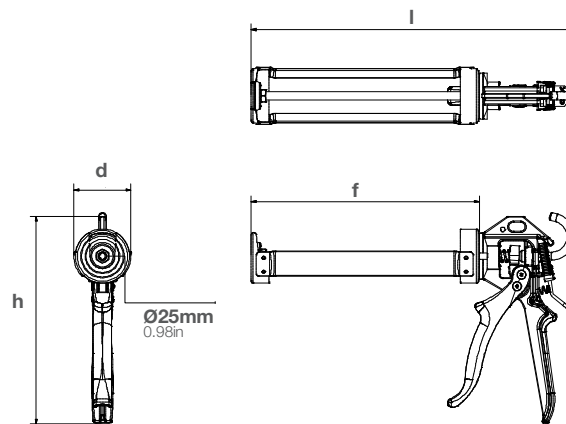
The **COX PowerFlow HP Cartridge** is part of a range of high-powered manual dispensers. Designed for use with medium-high viscosity sealants and adhesives.

### Specifications

- Weight: 0.8-0.9kg / 1.7-2.1lbs
- Frame Length: 233mm-271mm / 9.2in-10.7in
- Maximum Thrust: 3.5kN
- Pressure Relief Device (PRD)
- Handle Material: Epoxy Coated Aluminum
- Frame Material: Epoxy Coated Steel
- Tool Component Approvals: REACH
- Cartridge Capacity: 310mL (10.5oz), 400mL (13.5oz)
- Mechanical Advantage Ratio: (18:1)
- Standard Color: Blue/Black
- Nozzle Dimension:  $\varnothing 25\text{mm}$  / 0.98in
- Customized versions on demand

### Dimensions (mm/in)

product	height (h)	length (l)	depth (d)	frame (f)
<b>Cart. 310 HP</b>	217 /8.5	334 /13.1	58.5 /2.3	233 /9.2
<b>Cart. 400 HP</b>	217 /8.5	391 /15.3	58.3 /2.3	271 /10.7



### Part number:

Cartridge 310 HP  
Cartridge 400 HP

### Article number:

AE6900 (41004-XT for US)  
AE7900

### Packaging:

1 or 5/6/10/12/15 per Box (6 per Box for US)  
1 or 5/6/10 per Box

### Matching MIXPAC™ cartridges



310mL Peeler Cartridge

	mm	inch
a	215.0	8.46
b	$\varnothing 50.0$	$\varnothing 1.97$

### Compatible cartridges



150mL Red Cap 1:1 and 10:1 Co-axial

	mm	inch
a	118.5	4.67
b	$\varnothing 49.3$	$\varnothing 1.94$



150mL Black Cap 1:1 and 10:1 Co-axial

	mm	inch
a	117.0	4.61
b	$\varnothing 50.6$	$\varnothing 1.99$



150mL Co-axial Cartridge

	mm	inch
a	117.0	4.61
b	$\varnothing 51.0$	$\varnothing 2.01$



310mL Plastic Cartridge

	mm	inch
a	215.0	8.46
b	$\varnothing 50.0$	$\varnothing 1.97$



400mL Plastic Cartridge

	mm	inch
a	250.0	9.84
b	$\varnothing 50.0$	$\varnothing 1.97$

### Conversion kits

-

### Matching accessories

Nozzle extension / Twisty nozzle on pages 90-95.