

WATERLESS.com

the innovative brand since 1991



DEL MAR #2901
DEL CASA #2902
SANTA FE #2903
HIGH PERFORMANCE COMPOSITE



SPECIFICATION, INSTALLATION, AND MAINTENANCE MANUAL



For First Time Installation:

iPack #6009

- 1 x #1114 BlueSeal
- 1 x #4001 X-Traptor Tool
- 1 x #4002 PortionAid



BlueSeal® #1114

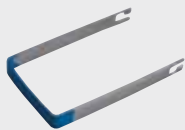
Sealing Liquid
Quart Size Bottle

MORE... from Waterless Co.



NviroClean™ #1614

The Simple Cleaner...
Just Spray and Walk Away!
Quart Size Bottle



X-Traptor Tool #4001

Stainless Steel EcoTrap® Tool



EcoTrap® #3001

Drain Insert



Portion Aid #4002

3 oz. Measuring Device for BlueSeal

IMPORTANT!

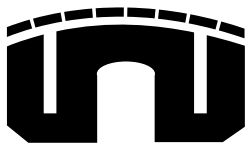
DO NOT INSTALL NO-FLUSH™ URINALS: 1. ON CLOGGED OR UNCLEANED SEWER LINES or 2. TO UNVENTED DRAIN LINES
TO MAINTAIN WARRANTY, SEWER LINES NEED TO BE PROFESSIONALLY CLEANED (SNAKED) AND WORK DOCUMENTED PRIOR TO INSTALLATION. NO WARRANTIES, EITHER ASSUMED OR IMPLIED, ARE GIVEN FOR PROPER FUNCTIONING OF NO-FLUSH™ URINALS WITHOUT DOCUMENTATION. **CHECK ROUGH-IN HEIGHT BEFORE INSTALLATION FOR CORRECT URINAL HEIGHT.**

WATERLESS CO. INC. • Vista CA 92081 USA

Toll Free: (800) 244-6364 • Tel: (760) 727-7723 • sales@waterless.com • www.waterless.com

In keeping with our policy of product improvement, Waterless Co. reserves the right to change product specifications at any time without notice. It is the responsibility of the specifier, installer and wholesale seller to confirm specification at time of sale or installation. No responsibility is assumed, claimed or accepted by Waterless Co. Inc. Please observe 10 day merchandise return policy.

© Waterless Co. Inc. 0119
Revised 111918



INSTALLATION INSTRUCTIONS

Bottom Drain Models #2901, #2902 and #2903

For additional installation instructions that pertain to each individual urinal, please see next page.

NOTE:

No flushometer needed for fixture, provide suitable reinforcements for all wall supports and carriers. ADA: Requires urinal rim to be mounted 17" above finished floor. Dimensions for fixtures are nominal and may vary within the range of tolerances established by ANSI Standard A112.19.2, A112.19.19 and ANSI Z124.9. Measurements are subject to change or cancellation. No responsibility is assumed. For copper DWV drain lines ascertain and document that the installed lines are not corroded or show "channeling".

Please leave this Installation/Care sheet with the owner/user as it contains important information.

#2901 BOX CONTENTS:

2-EcoTrap® Inserts; 1 x 2" x 1.5" ABS reducer

#2902/#2903 BOX CONTENTS:

2-EcoTrap® Inserts; 2-Wall Hangers;
2-Washers; 4-Plastic Anchors; 4-Screws;

TOOLS/HARDWARE NEEDED:

Screwdriver; 5/16" (7.9mm) Masonry Drill Bit and Drill; Putty Knife; Water Supply Cap (for retrofit only); Caulk; 2-Screws

BEFORE YOU BEGIN:

- **Do not** install *No-Flush™* urinals without prior waste line clean out. **Do not** double trap *No-Flush™* urinal.
- Please insure that the new urinal has the correct rough-in dimensions.
- When working with highly polished plastic or ceramic products, please use care in handling the unit during installation to avoid scratches or chip marks.
- Over-tightening bolts and screws may result in damage to the urinal.
- Measure drain line height for correct urinal height.

TO REMOVE EXISTING URINAL:

Turn off the water supply. Flush the urinal to drain valve and scoop or sponge out remaining water in urinal. Disconnect the flushometer valve completely and cap water supply line at tile. Remove urinal shell from wall and clean off any residues from wall and flange.

BEFORE YOU INSTALL URINAL:

Do not install *No-Flush™* urinal without prior waste line clean out. Existing scaling and debris in the waste line will inhibit the flow of waste from Waterless™ urinal and its proper functioning can not be guaranteed. *No-Flush™* urinals are engineered, however, to reduce waste line scaling.

TO INSTALL NO-FLUSH™ URINAL:

- Waterless urinal should be attached to wall so that urinal lip is 24" off floor (for ADA urinal 17" lip to floor).
- Measure required instruction sheet height per urinal above center of waste line/rough-in.

#2902 DEL CASA & #2903 SANTA FE

- Mark holes for wall hangers at desired height and 5.5" (127mm) for #2902 and 4.0" (102mm) for #2903 to each side of urinal center. Assure hangers are aligned horizontally. Drill hanger holes with 5/16" (8mm) drill bit. Attach wall hangers with supplied screws and plastic anchors. Tighten screws.
- Mark holes on wall through holes in horizontal bottom piece of urinal. Remove urinal and use same drill bit to drill holes. Reattach urinal over hangers and screw in bottom screws.
- Assemble 2" drain parts (not supplied) as needed.
- Lip to floor height to be 24" (610mm) or ADA 17" (432mm)

#2901 DEL MAR

- Mark holes for wall/bulkhead bolts (not supplied) on top of urinal at desired height. Assure holes are aligned horizontally. Drill holes with 5/16" (8mm) drill bit.
- Mark holes on wall through holes in horizontal bottom piece of urinal. Remove urinal and use same drill bit to drill holes. Set urinal to wall/bulkhead and hand tighten top of urinal with bolts. Attach required screws and plastic anchors (not supplied) through bottom holes. Tighten screws.
- Assemble 2" drain parts (not supplied) as needed.
- Lip to floor height to be 24" (610mm) or ADA 17" (432mm)

FOR ALL THREE: #2901, #2902 & #2903

- Measure 2" drain parts, in accordance with local trade practices, for connection from urinal to drain line.
- Trial assemble all parts to see that all fits. Hand tighten pieces. **DO NOT DOUBLE TRAP WATERLESS URINAL.** The urinal has its own integral trap.
- Caulk around the urinal.

INITIAL START-UP:

Wipe urinal clean with soft moist rag. Take enclosed EcoTrap® plastic trap insert and set trap into trapway. **Push trap down below rim of trapway.** Fill with water under faucet in sink. Fill until full or water overflows on bottom then add 3 oz. of BlueSeal® liquid. **Done!**

CLEANING AND CARE:

Do not use any harsh abrasive cleaners as those can harm the surface effectiveness and thereby void the product's warranty.

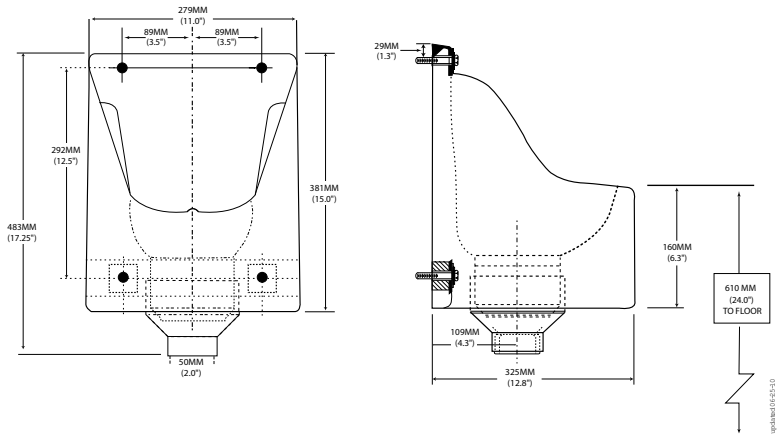
Del Mar™

#2901 Bottom Drain (HPC)

FOR STANDARD INSTALLATION: Mount at 24" above finished floor to lip of urinal or as required by architect. Center drain line to be determined by installer.

NOTE:
Installation requires purchase of standard ABS 2" drain parts and wall screws plus washers for attachment at bottom, not included.

Weight: 12 lbs.



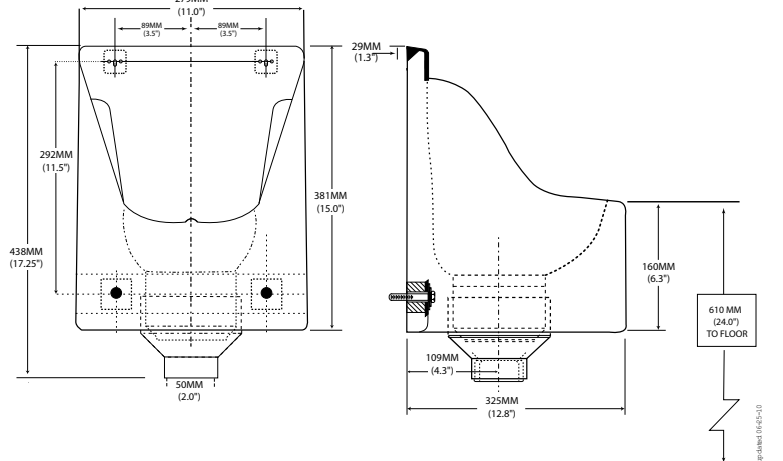
Del Casa™

#2902 Bottom Drain (HPC)

FOR STANDARD INSTALLATION: Mount at 24" above finished floor to lip of urinal or as required by architect. Center drain line to be determined by installer.

NOTE:
Installation requires purchase of standard ABS 2" drain parts and wall screws plus washers for attachment at bottom, not included.

Weight: 12 lbs.



Santa Fe™

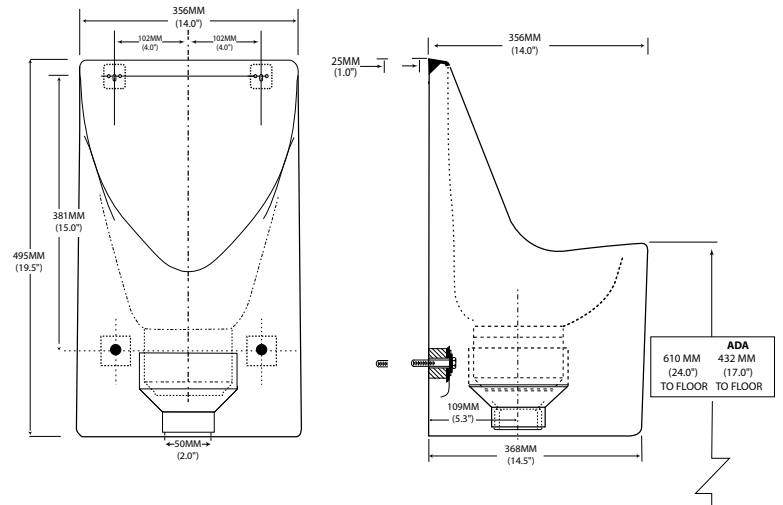
#2903 Bottom Drain (HPC)

FOR STANDARD INSTALLATION: Mount at 24" above finished floor to lip of urinal or as required by architect. Center drain line to be determined by installer.

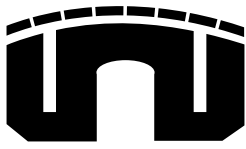
FOR ADA REQUIREMENTS: Mount at 17" above finished floor to lip of urinal. Center drain line to be determined by installer.

NOTE:
Installation requires purchase of standard ABS 2" drain parts and wall screws plus washers for attachment at bottom, not included.

Weight: 16 lbs.



In keeping with our policy of product improvement, Waterless Co. reserves the right to change product specifications at any time without notice. It is the responsibility of the specifier, installer and wholesale seller to confirm specification at time of sale or installation. No responsibility is assumed, claimed or accepted by Waterless Co. Inc.



URINAL INITIAL SET-UP



1. After urinal is installed, test for water tightness by pouring a bucket of water into the open drain hole of urinal. If no water leak is detected, caulk around the urinal, leaving approx. 8" on the bottom of the urinal uncaulked. Wipe urinal clean.



2. Take supplied *EcoTrap*® and fill with water under faucet in sink. Fill until full or water overflows on bottom.



3. Insert the water filled *EcoTrap*® into the urinal drain opening . **IMPORTANT: then press *EcoTrap*® by hand below rim.**



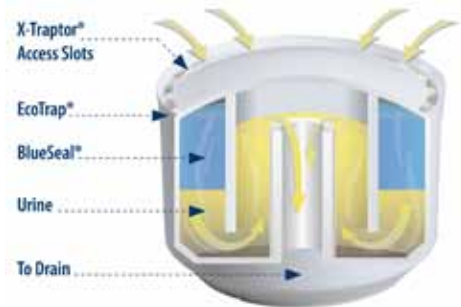
4. Insert and tighten Portion-Aid measuring device onto *BlueSeal*® quart bottle. Hold bottle upright. Squeeze bottle to fill Portion-Aid to 3oz. Then simply pour *BlueSeal*® from Portion-Aid into *EcoTrap*®.
Done!

EcoTrap® Principle

- a. Urine flows down into the patented Vertical *EcoTrap*® drain insert.
- b. In the *EcoTrap*® the urine passes through a floating layer of *BlueSeal*® liquid, which forms a barrier that prevents sewer vapors from escaping into the restroom atmosphere.
- c. Urine under the barrier layer overflows into the central tube and runs down into the conventional drain line.

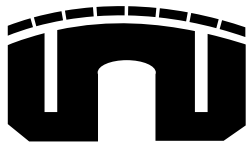
How it Works!

Cross-Section of the Patented Vertical *EcoTrap*®



TROUBLESHOOTING

PROBLEM	CAUSE	REMEDY
There is an odor coming from the urinal.	<ol style="list-style-type: none"> 1.) <i>BlueSeal</i>® is depleted. 2.) <i>EcoTrap</i>® is not seated below rim. 3.) Urinal is not connected properly to the drain. 	<p>If odor comes from urinal trap, add <i>BlueSeal</i>®. Push <i>EcoTrap</i>® down below rim.</p> <p>If odor comes from below urinal, remove and reset urinal to wall and drain line.</p> <p>Also check floor drain if odor comes from here; if so, add 1 gal of water to floor drain and add 3 oz. of EverPrime™, our great floor drain sealer.</p>
Trap does not flush/flow.	<ol style="list-style-type: none"> 1.) The <i>EcoTrap</i>® is full. 2.) The drain line is plugged. 3.) The system is double trapped. 	<p>Replace the <i>EcoTrap</i>® per Maintenance Instructions.</p> <p>Remove the <i>EcoTrap</i>® and snake the drainline.</p> <p>Remove the drain line trap so that only the <i>EcoTrap</i>® is the trap for the system.</p>



MAINTENANCE INSTRUCTIONS: BLUESEAL REFILL

DO NOT REMOVE TRAP FOR REFILL

One 3 oz. refill will last for approx. 1,500 uses.

No need to refill daily!! See interval chart to the right.



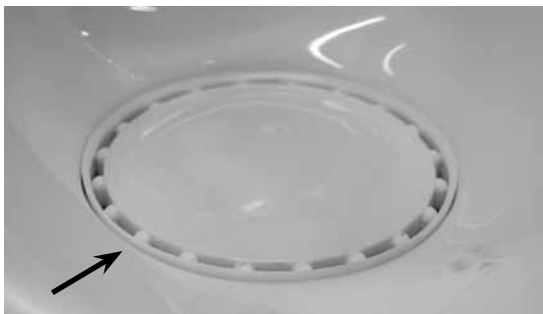
BlueSeal® Trap Liquid Estimated Intervals

Approximate users per day per urinal	Monthly 3 oz. BlueSeal® refills
1 - 75*	Monthly
76 - 150*	Twice a Month
151 - 225*	Three Times a Month
226 - 300*	Weekly
* Based on a 5 day work week.	

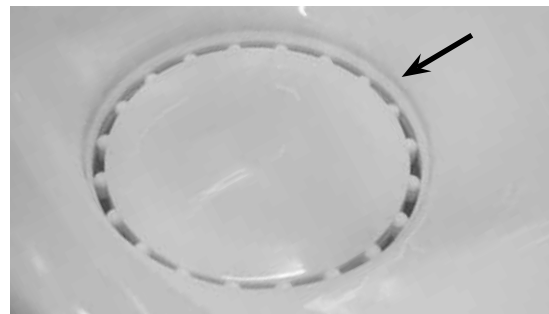
1. Screw the *PortionAid* onto a *BlueSeal*® quart bottle.
2. Squeeze bottle to measure out 3 oz. of *BlueSeal*® into the *PortionAid*.

3. Pour *BlueSeal*® directly into *EcoTrap*® towards back of urinal.

Task Time: 20 Seconds



Incorrect Seating (above rim)



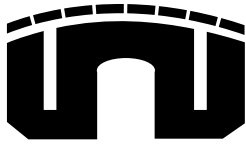
Correct Seating (below rim)

Cleaning Instructions (Traditional):

1. Remove any foreign objects and other debris from base of urinal bowl.
2. Use only non-abrasive cleaners and a soft sponge/mop on urinal surfaces for cleaning.
3. Use cleaner on wet sponge, cloth, or mop. Then wipe clean all surfaces of urinal, especially the lower front.
4. Dry all surfaces with a soft cloth or soft rag.

Cleaning Instructions (NviroClean™):

1. Remove any foreign objects and other debris from base of urinal bowl.
2. Spray NviroClean™ liberally on urinal surface starting at the top and working your way down to the plastic trap insert. Cleaning should take place once or twice a day or as wash-room traffic dictates. **DO NOT WIPE OFF OR SCRUB.**
3. Do not use any other cleaners while using NviroClean™.



MAINTENANCE INSTRUCTIONS

ECOTRAP® EXCHANGE



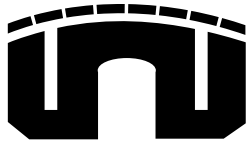
REMOVE OR EXCHANGE EcoTrap® ONLY WHEN NEEDED, i.e. slow urine flow or pooling. The table below shows approximate intervals.

1. Have the X-Traptor® tool, new EcoTrap®, a plastic bag, and a deodorizer ready and on hand.
2. Insert X-Traptor® into trap slots and engage on knobs.
3. While slowly pulling up, wiggle tool side to side to loosen EcoTrap®.
DO NOT PULL STRAIGHT UP! Once the EcoTrap® is removed, spray some deodorizer into the drain.
4. With EcoTrap® still on X-Traptor®, pour liquid contents into the open drain hole of urinal.
5. Deposit used EcoTrap® in plastic bag. Disengage and remove X-Traptor®.
6. Seal the plastic bag and discard in locally appropriate manner.
7. Loosen any sediment accumulation in drain hole with any long object.
8. Pour a full bucket, approx. 5 gallons, of preferably hot water into drain hole of urinal to flush sediments from waste line before inserting new EcoTrap®.
9. Take new EcoTrap® and fill with water under faucet in sink. Then set EcoTrap® insert into trapway. **Push EcoTrap® down, below rim of trapway.**
10. **Add 3 oz. of BlueSeal®. Done!**

TASK TIME: 3-4 Minutes

EcoTrap® Replacement Estimated Intervals

Approximate users per day per urinal	EcoTrap® Exchange
1 - 30*	Once a Year
31 - 60*	Twice a Year
61 - 90*	Three Times a Year
91 - 120*	Four Times a Year
* Based on 7,000 uses per urinal and 240 days usage.	



WATERLESS.com
the innovative brand since 1991



MANUFACTURER'S LIMITED THREE YEAR WARRANTY

Subject to the conditions and discussions set forth herein, Waterless Co. Inc. warrants its No-Flush™ urinals against defects in material or workmanship for a period of three (3) years from date of purchase. Waterless Co. Inc.'s sole obligation under this warranty shall be to repair or replace any part of the product which proves, upon our inspections, to be defective in materials and/or workmanship.

WARRANTY SPECIFIC CONDITIONS:

Failure to comply with any of the following conditions shall void this warranty in its entirety.

1. The attached Warranty Registration Sheet must be fully completed, contain all required signatures and be mailed by the user/purchaser to Waterless Co. Inc. **within 30 days of the date of purchase.**
2. The urinal must be properly installed and operational instructions must be followed as outlined in the enclosed instructions of each urinal shipment, including the use of only authorized liquids and trap inserts, specifically BlueSeal® and EcoTrap®. Use of any other liquids or trap inserts specifically voids this warranty. Reinstatement fee may apply.
3. Repairs or replacements to the urinals or its component parts must be performed only by authorized representatives of Waterless Co. Inc., or its authorized service technicians.

WARRANTY EXCLUSIONS:

This warranty does not cover damage resulting from transit, accidents, acts of God, misuse, unauthorized repairs, negligence, modifications, tampering, disconnection, improper adjustments, improper care or maintenance, improper installation, and out-of-warranty service.

Any implied warranty of merchantability or fitness for a particular purpose applicable to this product is limited to the duration of this written warranty.

Waterless Co. Inc. shall not be liable for incidental or consequential damages resulting from breach of this written warranty or any implied warranty.

The performance of repairs or needed adjustments shall be the exclusive remedy to the user/purchaser under this written warranty or any implied warranty.

This warranty gives you specific rights. You may have additional rights which vary from state to state. No person shall be authorized to change, add to, or create any warranty or obligation other than set forth herein.

RETURN POLICY:

ALL RETURNS MUST RECEIVE PRIOR APPROVAL BY WATERLESS CO. INC.

Upon receipt of product, note any damages or discrepancies. Please call Waterless Co. Inc. within 10 days of receipt of product to obtain a Return Merchandise Authorization (RMA) form. Complete and return RMA within 48 hours. Return product based upon RMA needs, to be received within 10 days of issuance of RMA. Any delays may cause a reduced or denial of damage or discrepancy. Unless damaged or incorrectly delivered, a re-stocking fee will apply. Return shipping to be paid by customer, unless stated otherwise by Waterless Co. Inc.

To obtain RMA authorization, please call (800) 244-6364 or (760) 727-7723.

**WARRANTY REGISTRATION CARD
FOR WATERLESS NO-FLUSH™ URINALS**

To register a valid Warranty for No-Flush™ urinals, please complete all sections and required signatures below and **return it to Waterless Co. Inc. within 30 days of your purchase.**

Company: _____ Name: _____ Title: _____

Address: _____

City: _____ State: _____ Zip Code: _____ Tel: (____) _____

Fax: (____) _____ E-Mail: _____ Purchased From: _____

Model# 2003__2004__2005__2104__2902__2903__Other _____ Purchase Date: _____

Installed By Company: _____ Name: _____ Tel: (____) _____

Waste Line Cleaned before Installation: ___Yes___No Rough-In needed to be changed: ___Yes___No___

Replaces Existing Fixtures: ___Yes___No___ New Installation: ___Yes___No

Type of Facility: _____ Commercial _____ Institutional _____ Military _____ Other _____

THANK YOU for purchasing WATERLESS NO-FLUSH™ urinals.

===== FOLD HERE AND TAPE ON OPEN END. =====

FROM: _____

**PLACE
STAMP
HERE**

WATERLESS.com
1050 JOSHUA WAY
VISTA, CA 92081

1.800.244.6364