

PRODUCT SERIES SPECIFICATIONS

Series: APC

Category: General Purpose

Pressure: Vacuum to 120 psi, 8.3 bar

Temperature: -40°F-180°F (-40°C-82°C)

Material Compliance

Reach: Compliant

RoHS: Compliant

For more information see cpcworldwide.com or contact us at cpcworldwide.com/ContactUs

Interactive 3D graphic, click to activate and rotate.

The 1/4" flow APC Series couplings feature a plastic thumb latch, fewer moving parts and a smooth contoured design to deliver ease-of-use and excellent flow in a compact size. The APC Series includes couplings with valves and thumb latch shrouds. A more rugged design on some models adds durability to increase the APC's application range.

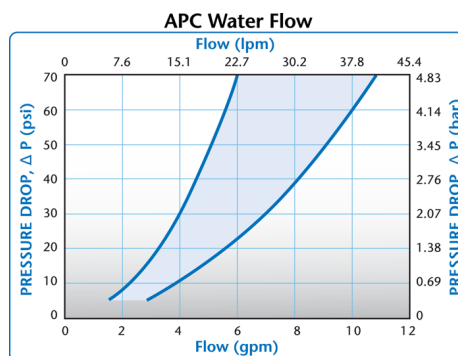
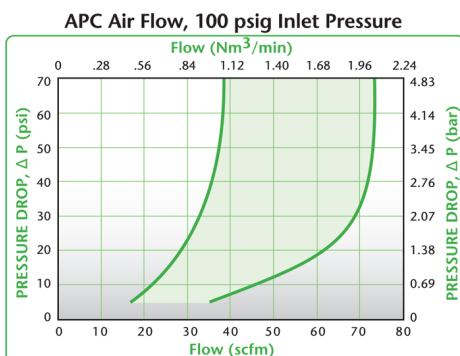
Features - Benefits

Plastic thumb latch - No exposed metal parts

Shrouded thumb latch - Protects against accidental disconnects

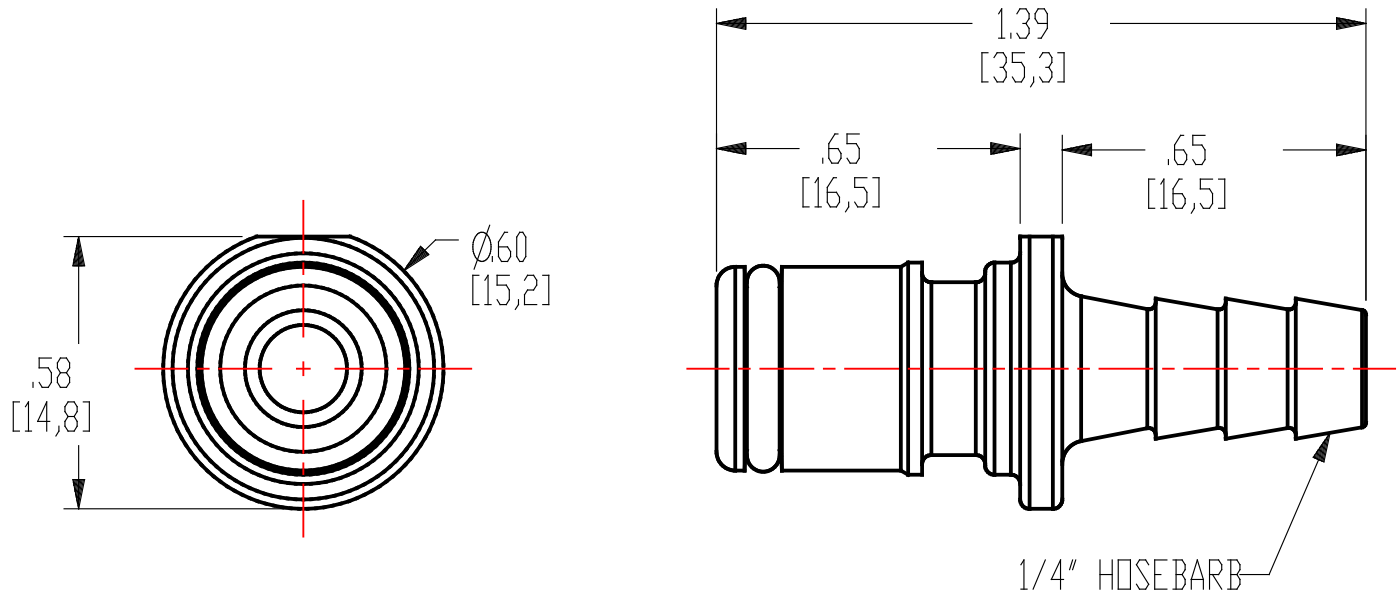
Integral terminations - Fewer leak points, shorter assemblies, faster installations

Compatibility - Mates with most EFC couplings



These graphs are intended to give you a general idea of the performance capabilities of each product line. Contact CPC for flow of a particular coupling combination.

Technical details:



Description: 1/4" Hose Barb Non-Valved In-Line Coupling Insert

Materials:

Main Components: Natural Acetal

Valve: N/A

Valve Spring: N/A

Seals: BUNA-N

Standard Packaging Quantity: 25