

## PRODUCT SERIES SPECIFICATIONS

**Series:** APC

**Category:** General Purpose

**Pressure:** Vacuum to 120 psi, 8.3 bar

**Temperature:** -40°F-180°F (-40°C-82°C)

**Material Compliance**

**Reach:** Compliant

**RoHS:** Compliant

For more information see [cpcworldwide.com](http://cpcworldwide.com) or contact us at [cpcworldwide.com/ContactUs](http://cpcworldwide.com/ContactUs)

*Interactive 3D graphic, click to activate and rotate.*

**The 1/4" flow APC Series couplings** feature a plastic thumb latch, fewer moving parts and a smooth contoured design to deliver ease-of-use and excellent flow in a compact size. The APC Series includes couplings with valves and thumb latch shrouds. A more rugged design on some models adds durability to increase the APC's application range.

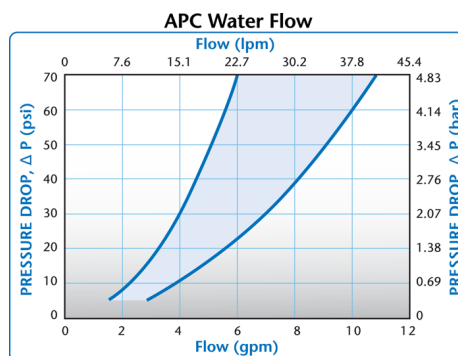
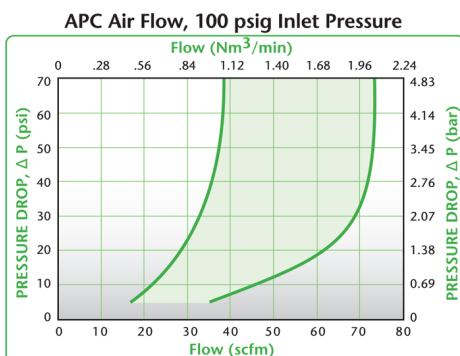
### Features - Benefits

Plastic thumb latch - No exposed metal parts

Shrouded thumb latch - Protects against accidental disconnects

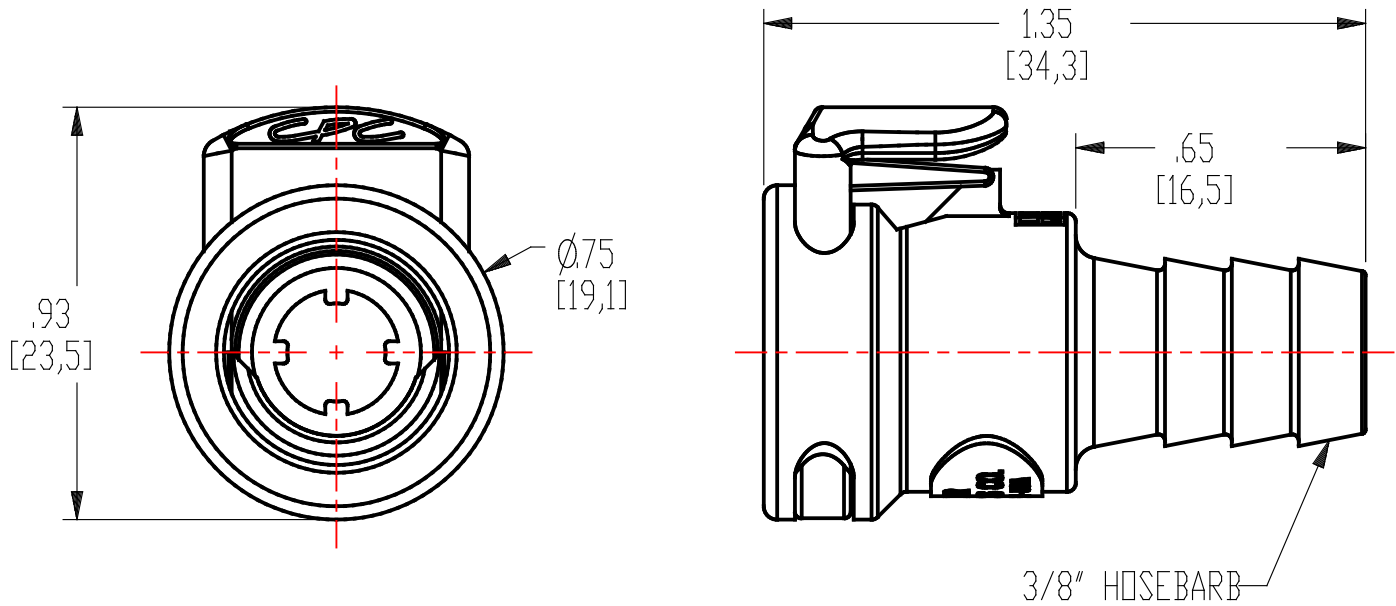
Integral terminations - Fewer leak points, shorter assemblies, faster installations

Compatibility - Mates with most EFC couplings



These graphs are intended to give you a general idea of the performance capabilities of each product line. Contact CPC for flow of a particular coupling combination.

**Technical details:**



**Description:** 3/8 In-Line Hose Barb Non-Valved Coupling Body

**Materials:**

**Main Components:** Natural Acetal

**Valve:** N/A

**Thumb Latch:** Light gray Acetal

**Valve Spring:** N/A

**Seals:** N/A

**Standard Packaging Quantity:** 25