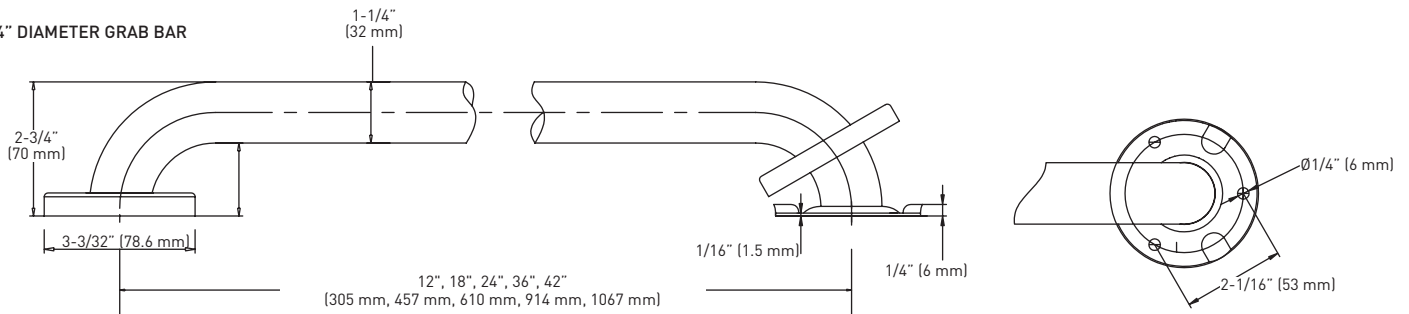


FEATURES

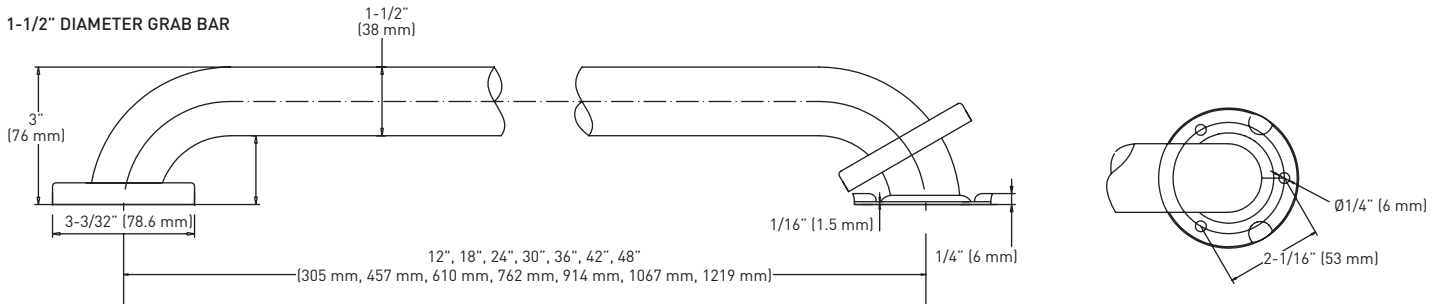
- › SMOOTH GRAB BAR WITH CONCEALED MOUNT
- › 304 STAINLESS STEEL CONSTRUCTION
- › FLANGE GAUGE 16
- › MAXIMUM WEIGHT CAPACITY OF 250 LBS/113 KG PULL



1-1/4" DIAMETER GRAB BAR



1-1/2" DIAMETER GRAB BAR



MEASUREMENTS ARE FOR REFERENCE ONLY. TAYMOR RESERVES THE RIGHT TO CHANGE THE PRODUCT SPECS WITHOUT NOTICE. FOR PRODUCT WARRANTY, PLEASE VISIT TAYMOR WEBSITE FOR DETAILS.

STAINLESS STEEL SMOOTH CONCEALED MOUNT GRAB BARS

DESCRIPTION BUILDER PACK	SATIN STAINLESS STEEL 32D	BAR TUBE GAUGE	DESCRIPTION BUILDER PACK	SATIN STAINLESS STEEL 32D	BAR TUBE GAUGE	CASE QTY.
1-1/4" x 12" (32 mm x 305 mm) SMOOTH GRAB BAR	01-C220012	22 mm	1-1/2" x 12" (38 mm x 305 mm) SMOOTH GRAB BAR	01-C230012	22 mm	5
1-1/4" x 18" (32 mm x 457 mm) SMOOTH GRAB BAR	01-C220018	22 mm	1-1/2" x 18" (38 mm x 457 mm) SMOOTH GRAB BAR	01-C230018	22 mm	5
1-1/4" x 24" (32 mm x 610 mm) SMOOTH GRAB BAR	01-C220024	22 mm	1-1/2" x 24" (38 mm x 610 mm) SMOOTH GRAB BAR	01-C230024	22 mm	5
1-1/4" x 36" (32 mm x 914 mm) SMOOTH GRAB BAR	01-C220036	20 mm	1-1/2" x 30" (38 mm x 762 mm) SMOOTH GRAB BAR	01-C230030	22 mm	5
1-1/4" x 42" (32 mm x 1067 mm) SMOOTH GRAB BAR	01-C220042	20 mm	1-1/2" x 36" (38 mm x 914 mm) SMOOTH GRAB BAR	01-C230036	20 mm	5
			1-1/2" x 42" (38 mm x 1067 mm) SMOOTH GRAB BAR	01-C230042	20 mm	5
			1-1/2" x 48" (38 mm x 1219 mm) SMOOTH GRAB BAR	01-C230048	20 mm	5

