



**Allanson**

***Bringing Comfort to Indoor Environments***

**IGNITION TRANSFORMERS  
AIR PURIFICATION**



## About Allanson

Allanson Environmental Electrics Group is a leading provider of innovative solutions to the heating and air conditioning industry for residential, industrial and commercial applications. As such, it combines best-in-class technology with proven engineering, design, and distribution services.

For over 80 years Allanson’s Environmental Electrics have provided reliable quality products. Our product line ranges from transformers and electronic ignitors, to testing equipment and air purification systems. It also features the only universal ignitor in the industry – the OMNI®. We are committed to bringing comfort to indoor environments.



## Index

Electronic Oil Ignitors .....	3, 4, 5
Production Transformers .....	6, 7, 8, 9, 10, 11
Service Replacement Transformers .....	12, 13
Industrial Gas Transformers .....	14, 15
Industrial Transformers .....	16, 17
Industrial Gas Ignitors .....	18
Oil Ignition Testing Equipment - CHEK-MATE™ .....	19
Electronic Oil Ignitor Mounting Plates .....	20, 21
Industrial Transformer Mounting Plates .....	21
SWORDFISH® UVC Air Purification .....	22, 23
Accessories .....	24
Notes .....	25
Cross Reference Charts .....	26, 27
Warranty, Contact Information .....	B.C.



# OMNI® Universal Ignitor

## 2275-U

- The only universal ignitor
- Mounts onto any previously installed ignitor mounting plates
- Eliminates need for extra mounting plates
- Makes your service calls quick and easy
- Ships complete with required hardware



Model	Electrical Specifications
2270	12 Vdc, 14 kVrms Secondary, 22mA, Mid Point Ground
2275	120 Volt, 50/60 Hz, 17.5 kVpk Secondary, 45mA, Mid Point Ground
2280	230 Volt, 50/60 Hz, 17.5 kVpk Secondary, 45mA, Mid Point Ground



### Service Kit

**2275-KIT1** and **2275-KITCAN**  
Electronic Ignition Transformer  
Service Kit

- Includes:
- 2 OMNI® universal ignitors
  - Selection of mounting plates
  - Variety of contact terminals
  - Tool box

	2275U OMNI®	2600 AERO	2601 BECKETT S	2602 WAYNE HI SPEED M/MH	2603 WAYNE E	2604 BECKETT A, AF, APG	2605 CARLIN 99, 100, 101, Miser	2609 CARLIN 17.5 FR, 200, 201, 500, 501 CRD	54-766 CONTACT KIT	54-740 CONTACT KIT
2275-KIT1	2		1	1	1	1	1			1
2275-KITCAN	2	2				2	1		1	

\*Contact Customer Service For Customized Kits

Electronic Oil Ignitors



**2275-456**

**Burner Manufacturer:**  
**Aero**  
**HV Terminal:**  
**Zinc Plated Button**  
**Hinge Location:**  
**End Hinge**



**2275-589**

**Burner Manufacturer:**  
**Grimsby**  
**HV Terminal:**  
**Cone Compression**  
**Spring**  
**Hinge Location:**  
**End Hinge**



**2275-605**

**Burner Manufacturer:**  
**Beckett S**  
**HV Terminal:**  
**Large Spring Contact**  
**Hinge Location:**  
**End Hinge**



**2275-619**

**Burner Manufacturer:**  
**Wayne HI Speed M/MH**  
**HV Terminal:**  
**Small Spring Contact**  
**Hinge Location:**  
**End Hinge**



**2275-620**

**Burner Manufacturer:**  
**Wayne E**  
**HV Terminal:**  
**Zinc Plated Button**  
**Hinge Location:**  
**Side Hinge**



**2275-628G**

**Burner Manufacturer:**  
**Beckett A, AF, AFG**  
**HV Terminal:**  
**Large Spring Contact**  
**Hinge Location:**  
**End Hinge**  
**Includes:**  
**Mounting Plate and**  
**Barrier Gaskets**  
**Mounting Plate Clips**



**2275-629**

**Burner Manufacturer:**  
**Carlin 17.5 FR, 200, 201,**  
**500, 501 CRD**  
**HV Terminal:**  
**Finger Contact**  
**Hinge Location:**  
**Side Hinge**



**2275-630**

**Burner Manufacturer:**  
**Carlin 99, 100, 101,**  
**Card Miser**  
**HV Terminal:**  
**Spring Clip Contact**  
**Hinge Location:**  
**End Hinge**  
**Includes:**  
**Mounting Plate Gasket**



### 2275-633

**Burner Manufacturer:**  
**Carlin 601**  
**HV Terminal:**  
**Rajah Connector**  
**Description:**  
**Side Bracket Mounting**  
**Includes:**  
**2 Rajah Connector Caps**



### 2275-637

**Burner Manufacturer:**  
**Wayne FH**  
**HV Terminal:**  
**Large Spring Contact**  
**Hinge Location:**  
**Side Hinge**



### 2275-647

**Burner Manufacturer:**  
**Wayne HS**  
**HV Terminal:**  
**Small Spring Contact**



### 2275-653

**Burner Manufacturer:**  
**Weil McLain, QB 180**  
**HV Terminal:**  
**1/4" Push On**



### 2275-658

**Burner Manufacturer:**  
**Beckett AFII**  
**HV Terminal:**  
**High Voltage Cables with 1/4" Push On**  
**Description:**  
**Side Bracket Mounting**

Model	Electrical Specifications
2270	12 Vdc, 14 kVrms Secondary, 22mA, Mid Point Ground
2275	120 Volt, 50/60 Hz, 17.5 kVpk Secondary, 45mA, Mid Point Ground
2280	230 Volt, 50/60 Hz, 17.5 kVpk Secondary, 45mA, Mid Point Ground





**2721-068**



HV Terminal: Zinc Plated Button  
Hinge Location: Side Hinge



**2721-069**



Burner Manufacturer: John Wood  
HV Terminal: Large Spring Contact  
Hinge Location: Side Hinge



**2721-252A**



HV Terminal: Zinc Plated Button  
Hinge Location: Side Hinge



**2721-362A**



HV Terminal: Compression Cone Spring



**2721-368M**



Burner Manufacturer: Metro  
HV Terminal: Zinc Plated Button  
Hinge Location: End Hinge



**2721-409**



Burner Manufacturer: ABC Crane  
HV Terminal: Zinc Plated Button  
Description: Special Side Bracket  
Replaces: Webster: 313-25AB73, France: LKR-2



**2721-411**



Burner Manufacturer: ABC  
HV Terminal: Zinc Plated Button  
Hinge Location: End Hinge  
Replaces: Webster: 313-25AB59, France: 5LAY-20



**2721-448**



Burner Manufacturer: NU Way (Large Plate)  
HV Terminal: Buss Bar Contact  
Hinge Location: End Hinge  
Replaces: Webster: 313-24AB80



**2721-452**



**Burner Manufacturer:** ABC D&LC  
**HV Terminal:** Buss Bar Contact  
**Hinge Location:** Side Hinge  
**Replaces:** Webster: 313-26AB65, France: 5LAY-11



**2721-456**



**Burner Manufacturer:** Aero  
**HV Terminal:** Zinc Plated Button  
**Hinge Location:** End Hinge  
**Replaces:** Webster: 313-24ABAER, France: 5LAY-56



**2721-457**



**Burner Manufacturer:** Acme Weatherall  
**HV Terminal:** Zinc Plated Button  
**Hinge Location:** Side Hinge  
**Replaces:** Webster: 3-25AB-AH, France: LKE



**2721-558**



**Burner Manufacturer:** Conroy  
**HV Terminal:** Compression Cone Spring  
**Hinge Location:** Side Hinge



**2721-572**



**Burner Manufacturer:** NU Way (Small Plate)  
**HV Terminal:** Buss Bar Contact  
**Hinge Location:** End Hinge  
**Replaces:** Webster: 313-24AB82



**2721-576**



**HV Terminal:** Zinc Plated Button  
**Hinge Location:** Special Side Hinge



**2721-589**



**Burner Manufacturer:** Grimsby  
**HV Terminal:** Compression Cone Spring  
**Hinge Location:** End Hinge



**2721-605**



**Burner Manufacturer:** Beckett S  
**HV Terminal:** Large Spring Contact  
**Hinge Location:** End Hinge  
**Replaces:** Webster: 313-28AB92/313-28AB-BF,  
France: 5LAY-05



**2721-619**



**Burner Manufacturer:** Wayne HI Speed M/MH  
**HV Terminal:** Small Spring Contact  
**Hinge Location:** End Hinge  
**Replaces:** Webster: 313-28AB91, France: 5LAY-03



**2721-620**



**Burner Manufacturer:** Wayne E  
**HV Terminal:** Zinc Plated Button  
**Hinge Location:** Side Hinge  
**Replaces:** Webster: 313-25AB78, France: 5LAY-30



**2721-627**



**Burner Manufacturer:** Brock  
**HV Terminal:** Zinc Plated Button  
**Hinge Location:** End Hinge  
**Replaces:** France: 5LAY-57



**2721-628G**



**Burner Manufacturer:** Beckett A, AF, AFG  
**HV Terminal:** Large Spring Contact  
**Hinge Location:** End Hinge  
**Includes:** Mounting Plate and Barrier Gaskets  
 Mounting Plate Clips  
**Replaces:** Webster: 3-28AB-BAF, France: 5LAY-04



**2721-629**



**Burner Manufacturer:** Carlin 17.5 FR, 200, 201, 500, 501 CRD  
**HV Terminal:** Finger Contact  
**Hinge Location:** Side Hinge  
**Replaces:** Webster: 313-24AB-81, France: 5LAY-16



**2721-630**



**Burner Manufacturer:** Carlin 99, 100, 101, Card Miser  
**HV Terminal:** Spring Clip Contact  
**Hinge Location:** End Hinge  
**Includes:** Mounting Plate Gasket  
**Replaces:** Webster: 313-28AB85, France: 5LAY-15



**2721-631A**



**Burner Manufacturer:** ABC Sunray  
**HV Terminal:** Small Spring Contact  
**Hinge Location:** Side Hinge  
**Replaces:** Webster: 313-25AB86, France: 5LAY-12



**2721-637**



**Burner Manufacturer:** Wayne  
**HV Terminal:** Zinc Plated Button  
**Hinge Location:** Side Hinge  
**Replaces:** Webster: 313-25AB49, France: 5LAY-21





**2721-647**



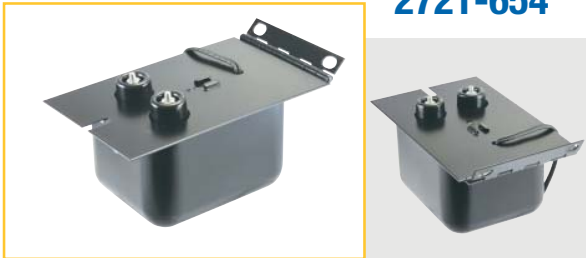
**Burner Manufacturer:** Wayne Blue Angle Eagle One  
**HV Terminal:** Small Spring Contact  
**Description:** Mounting Studs 8-32 x 3/8  
**Replaces:** Webster: 313-28AB205W/313-28ABWHS,  
France: 5LAY-31

**2721-653**



**Burner Manufacturer:** Weil McLain QB180  
**HV Terminal:** 1/4" Push On

**2721-654**



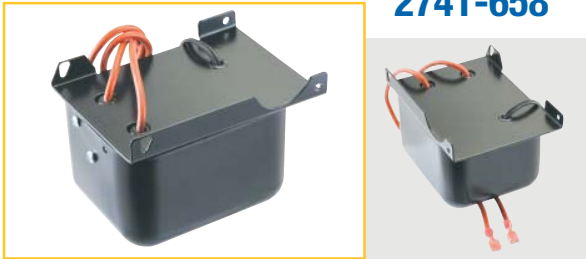
**Burner Manufacturer:** Clean Burn  
**HV Terminal:** 8-32 Threaded Post  
**Hinge Location:** End Hinge  
**Replaces:** France: 5LAY-59

**2721-668**



**Burner Manufacturer:** Wayne  
**HV Terminal:** Large Spring Contact  
**Description:** Same As 647 But Less Bolts  
**Replaces:** Webster: 313-28AB205W/313-28ABWHS,  
France: 5LAY-31

**2741-658**



**Burner Manufacturer:** Beckett AFII  
**HV Terminal:** High Voltage Cables with 1/4" Push On  
**Description:** Side Bracket Mounting  
**Replaces:** Webster: 3-32AB-BAF

Model	Electrical Specifications
2721	120 Volt, 60 Hz, 10000 Volt Secondary, 23mA, Mid Point Ground, Small Can Series
2729	220 Volt, 50 Hz, 10000 Volt Secondary, 23mA, Mid Point Ground, Small Can Series
2730	120 Volt, 50 Hz, 10000 Volt Secondary, 23mA, Mid Point Ground, Small Can Series
2744	240 Volt, 60 Hz, 10000 Volt Secondary, 23mA, Mid Point Ground, Small Can Series



**421-095**



**Burner Manufacturer:** York Shipley  
**HV Terminal:** Buss Bar Clips  
**Junction Box:** External  
**Description:** Side Bracket Mounting  
**Replaces:** Webster: 312-26ABE407,  
 France: LGEW-1



**421-104E**



**Burner Manufacturer:** Aero, Metal Master, Sunray  
**HV Terminal:** Buss Bar Clips  
**Junction Box:** Internal  
**Replaces:** Webster: 312-26AB022



**421-254A**



**Burner Manufacturer:** Barriere  
**HV Terminal:** Zinc Plated Button  
**Hinge Location:** Side Hinge



**421-331**



**Burner Manufacturer:** Lennox  
**HV Terminal:** Zinc Plated Button  
**Hinge Location:** End Hinge  
**Replaces:** Webster: 313-25AB62



**421-340**



**Burner Manufacturer:** Armstrong/Esso  
**HV Terminal:** Rajah Connector  
**Junction Box:** External  
**Replaces:** Webster: 312-25ABE1,  
 France: LGPW-2



**421-430**



**Burner Manufacturer:** Ducane  
**HV Terminal:** Zinc Plated Button  
**Replaces:** Webster: 313-25AB90,  
 France: 5LAY-06



**421-557**



**Burner Manufacturer: Arco American Standard**  
**HV Terminal: Buss Bar Clips**  
**Junction Box: External**  
**Replaces: Webster: 312-26ABE23,**  
**France: LGHW**



**421-655**



**Burner Manufacturer: Power Flame**  
**HV Terminal: Rajah Connector**  
**Junction Box: Internal**  
**Description: 1/4-20 x 1" Mounting Studs**  
**For Ground Wire Model Add "G"**  
**Replaces: Webster: 312-25AB0418**



**421-659**



**Burner Manufacturer: Cleaver Brooks,**  
**Industrial Combustion**  
**HV Terminal: Rajah Connector**  
**Junction Box: Internal**  
**Replaces: Webster: 312-08A097/312-810169**



**421-661**



**Burner Manufacturer: Gordon Piatt**  
**HV Terminal: Rajah Connector**  
**Replaces: Webster: 313-25AB100**



**421-663**



**Burner Manufacturer: PVI Industries**  
**HV Terminal: Thumb Screw**  
**Junction Box: Internal**  
**Description: 1/4-20 x 1" Mounting Studs**



**421-664**



**Burner Manufacturer: Webster Engineering**  
**HV Terminal: Thumb Screw**  
**Junction Box: Internal**

Model	Electrical Specifications
421	120 Volt, 60 Hz, 10000 Volt Secondary, 23mA, Mid Point Ground, Large Can Series
444	240 Volt, 60 Hz, 10000 Volt Secondary, 23mA, Mid Point Ground, Large Can Series
911	240 Volt, 50 Hz, 10000 Volt Secondary, 23mA, Mid Point Ground, Large Can Series
912	120 Volt, 50 Hz, 10000 Volt Secondary, 23mA, Mid Point Ground, Large Can Series



## Universal Service Replacement Transformer

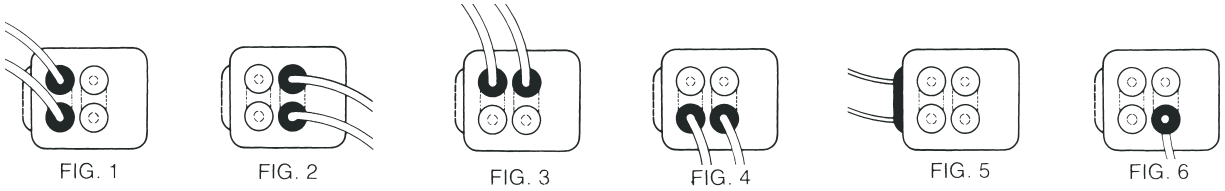
421-BT636

HV Terminal:

- Complete with required hardware
- Six position adaptability
- Includes mounting plate 2567-01

Junction Box: Internal

Replaces: Webster: 312-25AX0600,  
France: LAUV



## Universal Service Replacement Transformer

421-BT384

HV Terminal:

- Complete with required hardware
- Five position adaptability

Junction Box: Internal







**421-BT104**



**HV Terminal: Thumb Screw**  
**Junction Box: Internal**  
**Replaces: Webster: 312-24AB0237,**  
**France: LGCV**



**421-BT290**



**HV Terminal: Thumb Screw**  
**Junction Box: Internal**  
**Replaces: Webster: 312-24AB0202,**  
**France: LGDV**



**421-BT299**



**HV Terminal: Rajah Connector**  
**Junction Box: Internal**  
**Replaces: Webster: 312-25A0202,**  
**France: LFBV**



**421-BT332**



**HV Terminal: Rajah Connector**  
**Junction Box: Internal**  
**Replaces: Webster: 312-25AB0202,**  
**France: LGFV**



**421-BT387**



**HV Terminal: Thumb Screw**  
**Junction Box: Internal**  
**Replaces: Webster: 312-24A0202,**  
**France: LFAV**

Model	Electrical Specifications
421	120 Volt, 60 Hz, 10000 Volt Secondary, 23mA, Mid Point Ground, Large Can Series
444	240 Volt, 60 Hz, 10000 Volt Secondary, 23mA, Mid Point Ground, Large Can Series
911	240 Volt, 50 Hz, 10000 Volt Secondary, 23mA, Mid Point Ground, Large Can Series
912	120 Volt, 50 Hz, 10000 Volt Secondary, 23mA, Mid Point Ground, Large Can Series



**1092-H**



**Burner Manufacturer:** Cleaver Brooks,  
Industrial Combustion  
**HV Terminal:** Rajah Connector  
**Junction Box:** Internal  
**Replaces:** Webster: 612-8A021



**1092-PF**



**Burner Manufacturer:** Power Flame  
**HV Terminal:** Thumb Screw  
**Junction Box:** Internal  
**Description:** 1/4-20 x 1" Mounting Studs  
For Ground Wire Model Add "G"  
**Replaces:** Webster: 612-6A056



**1092-S**



**Burner Manufacturer:** Gordon Piatt  
**HV Terminal:** Thumb Screw  
**Junction Box:** Internal  
**Replaces:** Webster: 612-6A020/612-6A072



**1092-F**



**HV Terminal:** Thumb Screw  
**Description:** Conduit Connection  
**Replaces:** Webster: 612-6A7,  
France: 6EEGW-2



**1092-K**



**Burner Manufacturer:** Dunham-Bush, Iron Fireman  
**HV Terminal:** Rajah Connector  
**Junction Box:** Internal  
**Description:** 1/4-20x1" Mounting Studs  
**Replaces:** Webster: 612-8AB017



**1092-N**



**Burner Manufacturer:** Ray Burner  
**HV Terminal:** Thumb Screw  
**Description:** Conduit Connection  
**Replaces:** Webster: 613-6A10,  
France: 3RAFYR-14



**1092-NA**



**Burner Manufacturer:** North American  
**HV Terminal:** Rajah Connector  
**Junction Box:** Internal  
**Replaces:** Webster: 612-8A02



**1092-SG**



**Burner Manufacturer:** Webster  
**HV Terminal:** Thumb Screw  
**Junction Box:** Internal  
**Description:** Primary with 3 wires, one ground

Model	Electrical Specifications
1092	120 Volt, 50/60 Hz, 6000 Volt Secondary, 25/20mA, One End Ground
1112	240 Volt, 60 Hz, 6000 Volt Secondary, 20mA, One End Ground
1196	240 Volt, 50 Hz, 6000 Volt Secondary, 20mA, One End Ground



**2714-359**



**Burner Manufacturer:** Cleaver Brooks,  
Industrial Combustion  
**HV Terminal:** Rajah Connector  
**Junction Box:** Internal  
**Replaces:** Webster: 12-8A08,  
France: 2KAAVS-1



**2714-500**



**HV Terminal:** Rajah Connector  
**Junction Box:** Internal  
**Description:** 1/4-20 x 1" Mounting Studs



**2714-633**



**Burner Manufacturer:** Carlin  
**HV Terminal:** Rajah Connector  
**Junction Box:** Internal  
**Description:** Side Bracket Mounting  
**Replaces:** Webster: 12-8AB7,  
France: 2KACVS-2



**2714-655**



**Burner Manufacturer:** Power Flame  
**HV Terminal:** Rajah Connector  
**Junction Box:** Internal  
**Description:** 1/4-20x1" Mounting Studs  
**For Ground Wire Model Add "G"**  
**Replaces:** Webster: 12-8AB11



**2714-656**



**Burner Manufacturer:** Beckett  
**HV Terminal:** Rajah Connector  
**Description:** Conduit Connection  
**Available in 220V-2742-656**  
**Replaces:** Webster: 12-8AB16



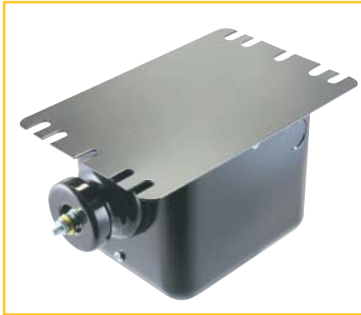
**2714-662**



**Burner Manufacturer:** Gordon Piatt  
**HV Terminal:** Rajah Connector  
**Junction Box:** Internal  
**Replaces:** Webster: 12-8AB02

Model	Electrical Specifications
2714	120 Volt, 60 Hz, 12000 Volt Secondary, 23mA, Mid Point Ground
2742	220 Volt, 60 Hz, 12000 Volt Secondary, 23mA, Mid Point Ground





**542-A**

**HV Terminal: 1/4-20 Stud**  
**Junction Box: Internal**  
**Replaces: Webster: 312-6A0456**



**542-GP**

**Burner Manufacturer: Gordon Piatt**  
**HV Terminal: 1/4-20 Stud**  
**Junction Box: Internal**  
**Description: For Ground Wire Model Add "G"**  
**Replaces: Webster: 312-9A0456**



**542-H**

**Burner Manufacturer: Cleaver Brooks,  
 Industrial Combustion**  
**HV Terminal: 1/4-20 Stud**  
**Junction Box: Internal**



**542-PF**

**Burner Manufacturer: Power Flame**  
**HV Terminal: 1/4-20 Stud**  
**Junction Box: Internal**  
**Description: 1/4-20x1" Mounting Studs  
 For Ground Wire Model Add "G"**

Model	Electrical Specifications
542	120 Volt, 60 Hz, 10000 Volt Secondary, 23mA, One End Ground

**2260-P**



**Description:**  
Center mounting, primary wire plug set with pigtailed, 2 way mounting

**2260-TP**



**Description:**  
Mounting tabs, primary plug set with pigtailed, 3 way mounting

**2260-TW**



**Description:**  
Mounting tabs with traditional bottom exit primary pigtailed, 3 way mounting

**2260-TWG**



**Description:**  
Mounting tabs with traditional bottom exit primary pigtailed, 3 way mounting, 18" H.V. secondary cable

Model	Electrical Specifications
2260	120 Volt, 50/60 Hz, 15.6 kVpk Volt Secondary, 28mA, One End Ground
2265	230 Volt, 50/60 Hz, 15.6 kVpk Volt Secondary, 30mA, One End Ground



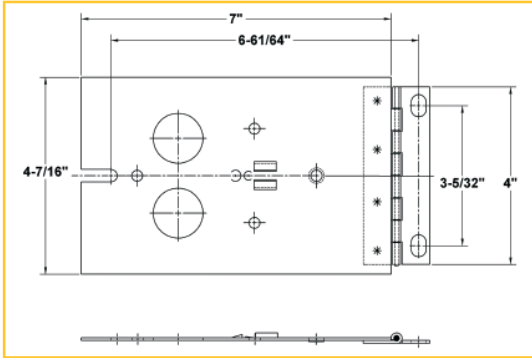
## Chek-Mate™

SC-2100

- Safe and reliable
- Tests all manufacturer's 2 pole electronic ignitors and iron core transformers
- LED indicator notifies you if unit is functioning and producing enough spark to ignite the fuel oil
- Easy to use, lightweight and compact
- Makes service calls quick and easy

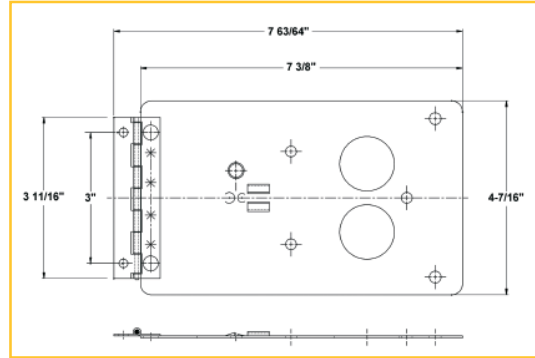
## Electronic Oil Ignitor Mounting Plates

**2600**



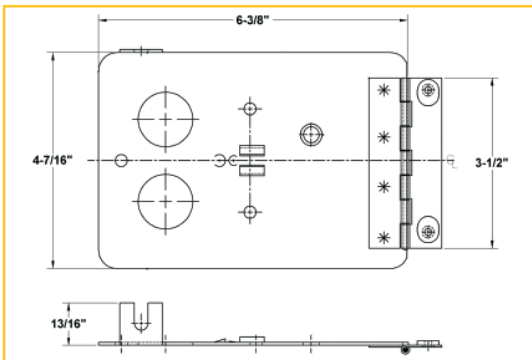
Burner Manufacturer: **Aero**

**2601**



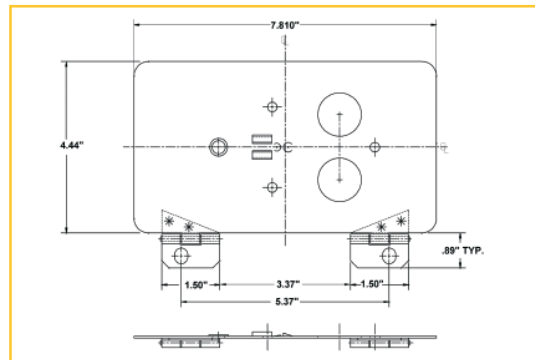
Burner Manufacturer: **Beckett S**

**2602**



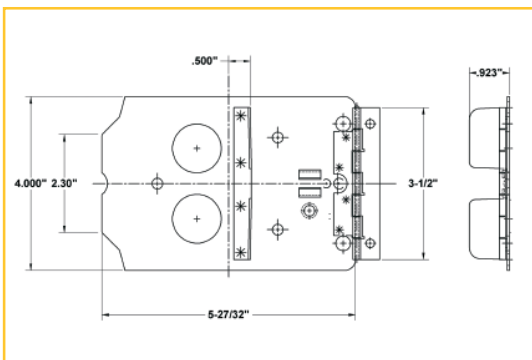
Burner Manufacturer: **Wayne HI Speed M/MH**

**2603**



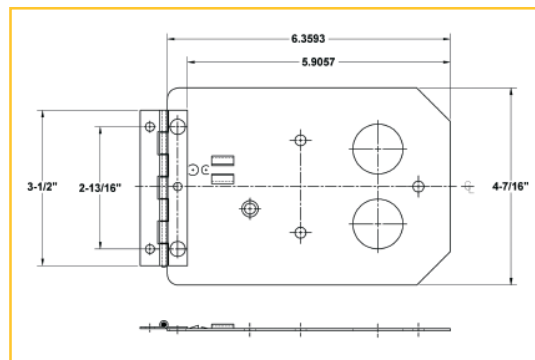
Burner Manufacturer: **Wayne E**

**2604**



Burner Manufacturer: **Beckett A, AF, AFG**

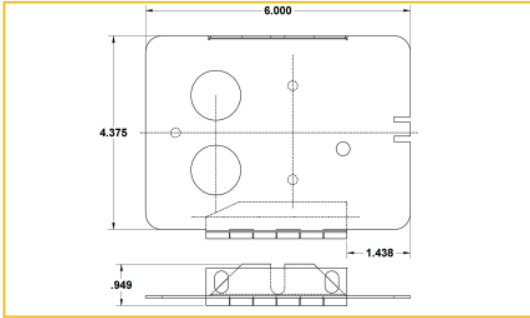
**2605**



Burner Manufacturer: **Carlin 99, 100, 101, Card Miser**

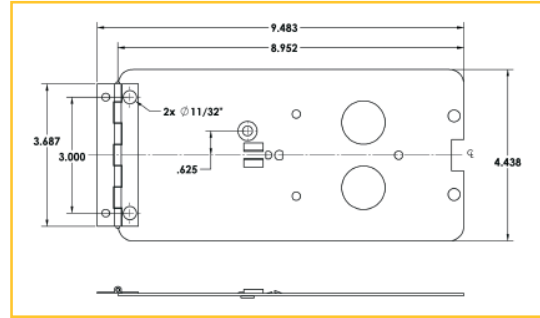


2609



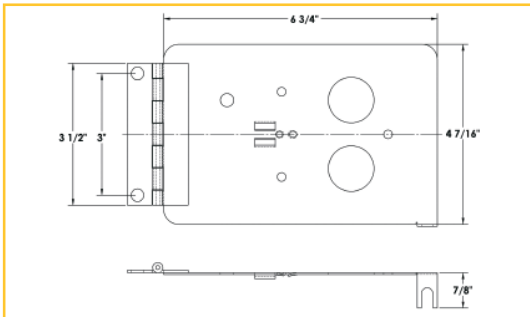
Burner Manufacturer:  
Carlin 17.5 FR, 200, 201, 500, 501 CRD

2612



Burner Manufacturer: Grimsby

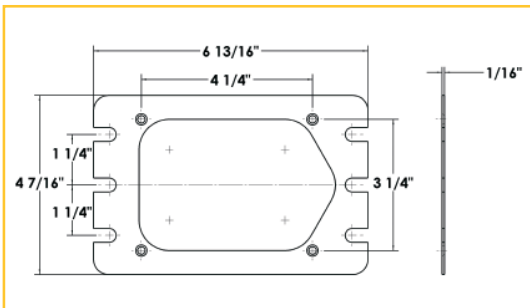
2614



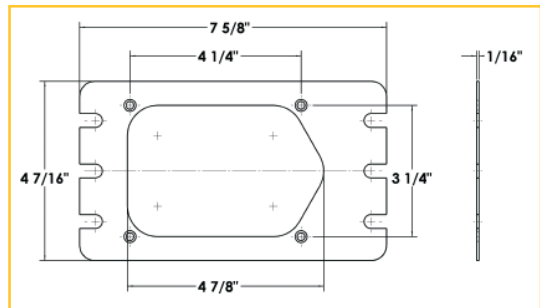
Burner Manufacturer: Brock

**Industrial Transformer Mounting Plates**

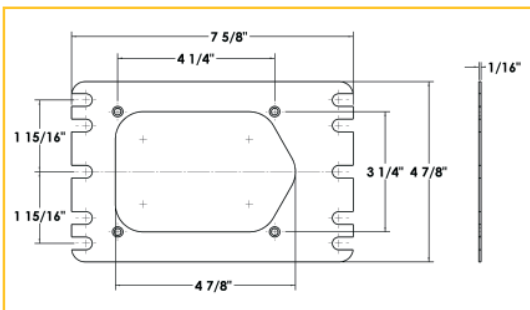
2500



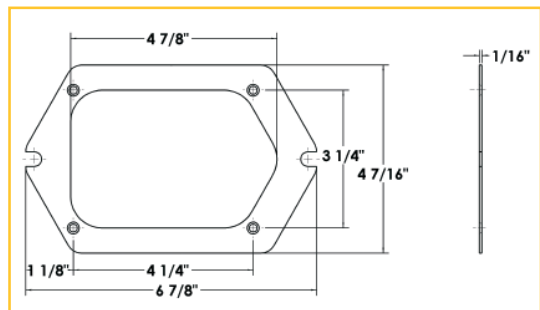
2501



2502



2544



## Electronic Ignitor Contact Kit 54-740

Includes: Zinc Plated Buttons (2)  
Small Spring Contacts (2)  
Large Spring Contacts (2)  
Spring Clip Contacts (2)

## Electronic Ignitor Contact Kit 54-766

Includes: Zinc Plated Buttons (4)  
Large Spring Contacts (4)  
Spring Clip Contacts (2)



### 54-741

**Zinc Plated Buttons**  
Description: Hardware Kit For Wayne/Aero  
Quantity: 6 Sets



### 54-743

**Small Spring Contact**  
Description: Hardware Kit For Wayne  
Quantity: 6 Sets



### 25-232

**Screws - Type B Flat**  
Quantity: 4



### 29-204

**Rajah Caps**  
Quantity: 2



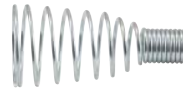
### 29-294

**Hollow Threaded Rajah Stud**  
Quantity: 2



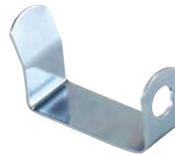
### GTO-18

**High Voltage Cable**  
Description: Silicon cable; 18" long; 25KVDC 250° C UR; 1/4 Female Rajah Connectors



### 54-742

**Large Spring Contact**  
Description: Hardware Kit For Beckett  
Quantity: 6 Sets



### 54-744

**Spring Clip Contact**  
Description: Hardware Kit For Carlin  
Quantity: 6 Sets



### 25-409

**Weld Bolts**  
1/4 - 20 x 1"  
Description: Use on Service Replacement Transformers  
Quantity: 2



### 29-276

**Compression Cone Spring**  
Quantity: 2



### 29-295

**Double Threaded Stud**  
Quantity: 2



Burner Manufacturer	Allanson	Dongan	France	Webster	Sid Harvey	Thermolok
10,000 Volt Secondary Mid Point Ground 120 Volt						
ABC	2721-411	XD-AB207	5LAY-20	313-25AB59	T-84	C-792
ABC/SUNRAY	2721-631A	XD-AB201	5LAY-12	313-25AB86	T-29-15B	TSR-10
ABC-CRANE	2721-409	A10-SV351	LKR-2	313-25AB73	T-86	C-793
ABC-D&LC	2721-452		5LAY-11	313-25AB65	T-34-B	
ACME/QUIET HEET	421-104	A10-SR12	LGNV		T-31N	C-53
ACME/WEATHERALL	2721-457		LKE	3-25AB-AH	T-82	
AERO	2721-456	XD-AR211	5LAY-56	3-24AB-AER	T-87	TA-10
AERO/SUNRAY	421-104E			312-26AB022	T-29-10B	
ARCO/AMER. STANDARD	421-557 <small>(replaces 421-216)</small>					
ARCO/AMER. STANDARD	421-557	A10-SP18	LGHW	312-26ABE23	T-183B	C-483
ARMSTRONG/ESSO	421-340		LGPW-2	312-25ABE1	T-80-3M	
BARRIERE	421-254A					
BECKETT A, AF, AFG	2721-628G	XD-BK103	5LAY-04	3-28AB-BAF	T-92	TB-10
BECKETT AFII	2741-658			3-32AB-BAF		
BECKETT S	2721-605	XD-BK204	5LAY-05	313-28AB92/ 313-28AB-BS	T-90	TB-11
BROCK	2721-627		5LAY-57			
CARLIN 99, 100 CRD	2721-630	XD-CR205	5LAY-15	313-28AB85	T-94	TC-10
CARLIN 200, 201, 500 CRD	2721-629	XD-CR206	5LAY-16	313-24AB81	T-95	TC-11
CLEAN BURN	2721-654		5LAY-59			
CLEAVER BROOKS	421-659			312-8AO97/ 312-810169		
CONROY	421-558					
DELCO P-200	2721-222A	A10-SQ182	LKP	313-24AB68	T-24N	
DUCANE	421-430	XD-DC212	5LAY-06	313-25AB90		
GORDON PIATT	421-661			313-25AB100		
GRIMSBY	2721-589					
INDUSTRIAL COMBUSTION	421-660			312-8AO169		
JOHN WOOD	2721-069					
LENNOX	421-331	A10-S32		313-25AB62	T-265	C-823
METAL MASTER	421-262	A10-S32	LGM		T-28B	C-544
METRO	2721-368M					
NU-WAY (LARGE PLATE)	2721-448			313-24AB80	T-120	C-794
NU-WAY (SMALL PLATE)	2721-572			313-24AB82	T-122	C-807
POWER FLAME	421-655			312-25AB0418		
PVI INDUSTRIES	421-663					
REZNOR	2721-628G <small>(replaces 2721-667)</small>					
SUNRAY	421-104E			312-26AB022	T-29-10B	C-733
WAYNE	2721-637		5LAY-21	313-25AB49	T-50	
WAYNE (BLUE ANGEL)	2721-647	XD-WN209	5LAY-31	313-28AB205W/ 313-28ABWHS		T-89-10
WAYNE E	2721-620	XD-WN208	5LAY-30	313-25AB78	T-88	C-799
WAYNE HI SPEED M/MH	2721-619	XD-WN202	5LAY-03	313-28AB91	T-93	TW-10
WEBSTER ENGINEERING	421-664					
YORK SHIPLEY	421-095		LGEW-1	312-26ABE407	T-25B	
12,000 Volt Secondary Mid Point Ground 120 Volt						
BECKETT	2714-656			12-8AB16		
CARLIN	2714-633	A12-SV10	2KACVS-2	12-8AB7	T-12	
CLEAVER BROOKS	2714-359	A12-SJ10	2KACVS-1	12-8AO8		
GORDON PIATT	2714-662			12-8AB02		
POWER FLAME	2714-655			12-8AB11		





Burner Manufacturer	Allanson	Dongan	France	Webster	Sid Harvey	Thermolok
10,000 Volt Secondary Mid Point Ground 120 Volt - Less Mounting Plate Replacement Type						
UNIVERSAL 6 WAY	421-BT636		LAUV	312-25AX0600	T1-15	T-628
UNIVERSAL 5 WAY	421-BT384			312-25AX0500		
	421-BT066					
	421-BT104	A10-SR10	LGCV	312-24AB0237	T-31N	
	421-BT276	A10-SW10	LGEV	312-25AB0237	T-17FM	C-551
	421-BT290	A10-SQ10	LGDV	312-24AB0202	T-17N	C-554
	421-BT299	A10-SJ10	LFBV	312-25A0202	T-21M	
	421-BT332	A10-SV10	LGFV	312-25AB0202	T-17M	C-555
	421-BT387	A10-SF10	LFAV	312-24A0202	T-21N	
INDUSTRIAL GAS TYPE IGNITION TRANSFORMERS - 6,000 Volt Secondary One End Ground, 120 Volt, 50/60 Hz						
CLEAVER BROOKS	1092-H			612-8A021		
GORDON PIATT	1092-S			612-6A020/ 612-6A072		
IRON FIREMAN, DUNHAM-BUSH	1092-K			612-8AB017		
BX CONNECTOR	1092-F	A06-SA6	6EEGW-2	612-6A7	T-246N	
NORTH AMERICAN	1092-NA			612-8A02		
POWER FLAME	1092-PF			612-6A056		
RAY BURNER	1092-N	A06-SD7	3RAFYR-14	613-6A10	T-193N	
WEBSTER (PRIMARY HAS 3 WIRES)	1092-SG					
INDUSTRIAL GAS/OIL TYPE IGNITION TRANSFORMERS 10,000 Volt Secondary One End Ground 120 Volt						
OIL APPLICATION	542-A	A10-LA22		312-6A0456		
CLEAVER BROOKS	542-H	A10-LN2X				
GORDON PIATT	542-GP			312-9A0456		
POWER FLAME	542-PF					

Burner Manufacturer	Allanson	Beckett	France	Carlin	Sid Harvey
OMNI® IGNITOR	2275U	< NO UNIVERSAL AVAILABLE >			T96I
AERO	2275-456	51828U	10SAY-56	41000-SO-AR	T87E
BECKETT A, AF, AFG	2275-628G	51771U	10SAY-04	41000-SO-BK1	T92E (1)
BECKETT AFII	2275-658	51805U	10SAYL-70		T97E
BECKETT S	2275-605	51824U	10SAY-05	41000-SO-BK2	T90E
CARLIN 17.5, 200, 201, 500, 501, CRD	2275-629	51840U	10SAY-16	41000-SO-SC	T95E
CARLIN 99, 100, 101, CRD	2275-630	51826U	10SAY-15	41000-SO-CAS	T94E
CARLIN 601 & UP	2275-633	51880U		41000-SO-LC	
WAYNE HI SPEED M/MH	2275-619	51825U	10SAY-03	41000-SO-WA3	T93E
WAYNE E	2275-620	51827U	10SAY-30	41000-SO-WA2	T88E
WAYNE HS	2275-647	51836U	10SAY-31	41000-SO-WA1	T89-10E
WEIL MCLAIN	2275-653	51837U	10SAY-32	41000-SO-WM	T86E
IGNITOR KIT	2275-KIT1	51835	10SAY-KIT	41000-SO-KIT	T97K

## WARRANTY

Allanson agrees to correct any defects in material or workmanship which may develop in any oil burner or gas ignition transformer sold, when used under proper or normal conditions, during a period of 36 months, from the date of manufacture. Such correction may be by repair, replacement, or material credit at the company's discretion.

This warranty does not include shipping costs to and from the factory. This correction shall fulfill completely any and all obligations by Allanson intended or implied by this warranty. Allanson shall not be responsible for consequential damage or for labour involved in making replacement.



Contact us:

**Canada:** 33 Cranfield Rd., Toronto, Ontario, M4B 3H2

Telephone 416.755.1191 Fax 877.278.0907

Toll Free 1.800.661.7251

**USA:** 99 Adams Boulevard, East Farmingdale, New York, 11735

Telephone 631.293.3880 Fax 631.293.3470

Visit us:

**[www.allanson.com](http://www.allanson.com)**