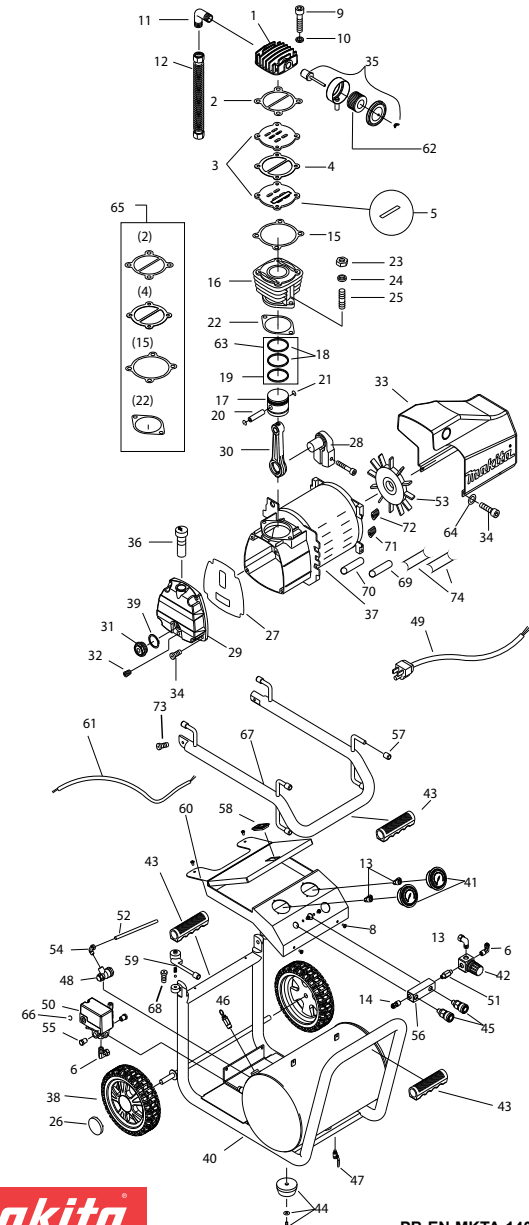


Makita Air Compressor Part Breakdown - MODEL MAC5200

| Item | Description | Part # | Qty | Item | Description | Part # | Qty | Item | Description | Part # | Qty |
|------|-----------------------------------|-----------|-----|------|------------------------------------|----------|-----|------|--------------------------|----------|-----|
| 1 | Cylinder head | 101001-E | 1 | 38 | Wheel | 402015-E | 2 | 74 | Capacitor Cover | 455015-E | 2 |
| 2 | Valve seat to head gasket | 211001-E | 1 | 39 | Oil gauge gasket | 217001-E | 1 | | Compressor oil (1 quart) | 181122-A | 1 |
| 3 | Inlet & exhaust valve seat | 104005-E | 2 | 40 | Air tank with frame | 401125-E | 1 | | Carton | 471151-E | 1 |
| 4 | Inlet & Exhaust valve seat gasket | 212006-E | 1 | 41 | Pressure gauge | 411029-E | 2 | | | | |
| 5 | Inlet & Exhaust valve plate | 125004-E | 2 | 42 | Regulator | 410029-E | 1 | | | | |
| 6 | Elbow | 151209-E | 2 | 43 | Rubber handle | 435016-E | 3 | | | | |
| 8 | Bolt for console | 365003-E | 4 | 44 | Tank foot assembly | 434006-E | 2 | | | | |
| 9 | Cylinder head bolt | 352087-E | 4 | 45 | Quick coupler (1/4") | 447013-E | 2 | | | | |
| 10 | Spring washer for head bolt | 382011-E | 4 | 46 | Safety valve (1/4") | 407001-E | 1 | | | | |
| 11 | Exhaust Elbow | 151404-E | 1 | 47 | Drain cock | 413008-E | 1 | | | | |
| 12 | Discharge tube assembly | 230092S-E | 1 | 48 | Check valve | 409004-E | 1 | | | | |
| 13 | Unloading Elbow | 151001-E | 3 | 49 | Power cord | 452015-E | 1 | | | | |
| 14 | Nipple | 441025-E | 1 | 50 | Pressure switch | 412025-E | 1 | | | | |
| 15 | Valve seat to cylinder gasket | 213009-E | 1 | 51 | Regulator nipple | 441001-E | 1 | | | | |
| 16 | Cylinder | 201013-E | 1 | 52 | Unloading tube assembly (1/4") | 228070-E | 1 | | | | |
| 17 | Piston | 203002-E | 1 | 53 | Motor fan | 431010-E | 1 | | | | |
| 18 | Compression ring | 206002-E | 2 | 54 | Unloading elbow | 151002-E | 1 | | | | |
| 19 | Oil control ring | 207002-E | 1 | 55 | Plug | 360002-E | 2 | | | | |
| 20 | Piston pin | 204002-E | 1 | 56 | Manifold block | 421006-E | 1 | | | | |
| 21 | Piston pin snap ring | 205001-E | 2 | 57 | Rubber cup | 439008-E | 6 | | | | |
| 22 | Cylinder to crankcase gasket | 214001-E | 1 | 58 | Tool box lock | 435015-E | 1 | | | | |
| 23 | Set nut (cylinder to crankcase) | 371005-E | 2 | 59 | Folding handle lock set (L&R) | 435010-E | 1 | | | | |
| 24 | Spring washer (cyl to crankcase) | 382005-E | 2 | 60 | Tool box | 480039-E | 1 | | | | |
| 25 | Double head screw | 358001-E | 2 | 61 | Wiring harness (motor -pr. switch) | 453076-E | 1 | | | | |
| 26 | Retainer Cap for wheel | 403002-E | 2 | 62 | Air filter (element only) | 171006-E | 1 | | | | |
| 27 | Crankcase cover gasket | 215001-E | 1 | 63 | Ring Kit (#18 and 19) | RK5200-E | 1 | | | | |
| 28 | Crankshaft | 302001-E | 1 | 64 | Spring washer for motor cover | 382004-E | 4 | | | | |
| 29 | Crankcase cover | 304014-E | 1 | 65 | Gasket kit (#2,4,15 and 22) | GK5200-E | 1 | | | | |
| 30 | Connecting rod | 316001-E | 1 | 66 | Strain Relief Clip | 457002-E | 1 | | | | |
| 31 | Oil sight gauge | 321001-E | 1 | 67 | Folding handle | 435006-E | 1 | | | | |
| 32 | Oil draining plug | 360001-E | 1 | 68 | Bolt for folding handle lock | 351074-E | 2 | | | | |
| 33 | Motor cover | 433011-E | 1 | 69 | Start Capacitor | 460008-E | 1 | | | | |
| 34 | Motor / crankcase cover bolt | 352071-E | 9 | 70 | Run Capacitor | 462009-E | 1 | | | | |
| 35 | Air filter assembly | 170013-E | 1 | 71 | Overload Switch | 458003-E | 1 | | | | |
| 36 | Oil filler/crankcase breather | 324003-E | 1 | 72 | Centrifugal Switch | 459002-E | 1 | | | | |
| 37 | Electric motor / Crankcase | 251209-E | 1 | 73 | Bolt | 353145-E | 2 | | | | |



PB-EN-MKTA-140307