

Please read and save these instructions.

Read carefully before attempting to assemble, install, operate or maintain the product described. Protect yourself and others by observing all safety information. Failure to comply with instructions could result in personal injury and/or property damage! Retain instructions for future reference.

Speedaire® Rotary Vane Air Motor

Description

With compressed air as actuation medium, rotary vane air motors make use of the expansion of compressed air to convert pressure energy into mechanical energy. They can be regulated easily for speed and torque, and can stop and reverse very quickly. They are commonly used in many industrial and spark-prohibited applications. Typical applications are:

Mixing Turntables, Tension Devices, Fiberglass Choppers, Hose Reels, Hoists and Winches, Pharmaceutical Packaging, Food Packaging, Pump Drives and Conveyor Drives.

Unpacking

When unpacking, ensure that the air motor is not affected by strong impact. Check for damage that may have occurred during transit. If damage has occurred, a claim must be filed with the carrier.

Specifications

Model No	Shaft Size(In)	Operation Data					Port Size	Maximum Torque			Rotation
		Max. RPM	Output HP	Torque		Air Consumption CFM		RPM	Torque		
				lb.in	Nm				lb.in	Nm	
22UX45	0.625	3000	1.7	36	4.1	78	3/8	300	56	6.3	REV
22UX46	0.625	3000	1.7	36	4.1	78	1/4	300	56	6.3	REV
22UX73	0.5	3000	1.7	36	4.1	78	1/4	300	56	6.3	REV
22UX74	0.5	3000	1.7	36	4.1	78	1/4	300	56	6.3	REV
22UX75	0.5	3000	1.7	36	4.1	78	1/4	300	56	6.3	REV

***Recommended Air Pressure at 90 PSI (6.3 Bar)**

Mounting type: Face mounting for 22UX45 and 22UX75. Flange-NEMA 56C mounting for 22UX46. Foot mounting for 22UX73 and 22UX74.

General Safety Information

Improper operation or maintenance of this product could result in serious injury and property damage. Please read and understand all instructions before using an air motor.



Indicates hazards that could cause severe personal injury, death, or major property damage if ignored.



Indicates hazards that could cause minor personal injury or property damage if ignored.

All work to assemble, install, operate, maintain and repair the air motor must be performed by qualified personnel, and they must follow:

1. Specific legal regulations and requirements of the air motor system.
2. The instruction, warning and information labels on motor.
3. The current applicable national and regional specifications regarding explosion protection, safety and accident prevention.

Installation

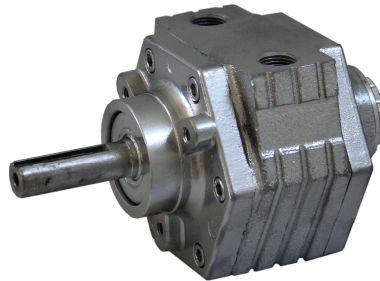


Make sure to meet the appropriate installation conditions.

The proper protections should be installed around the output shaft as needed.

Wear protective eyewear when installing this product.

Failure to follow these instructions can result in serious injury or property damage.



22UX45



22UX46



22UX73/74



22UX75

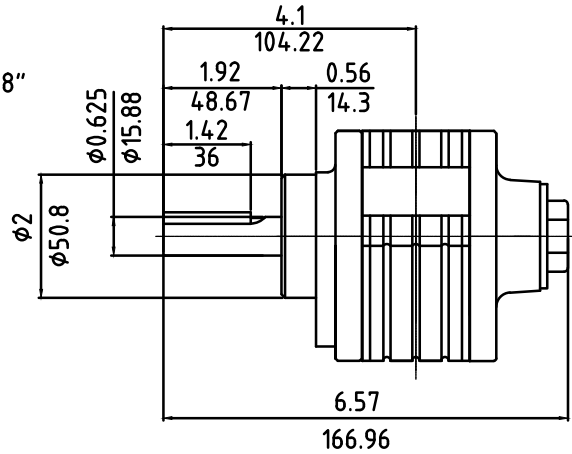
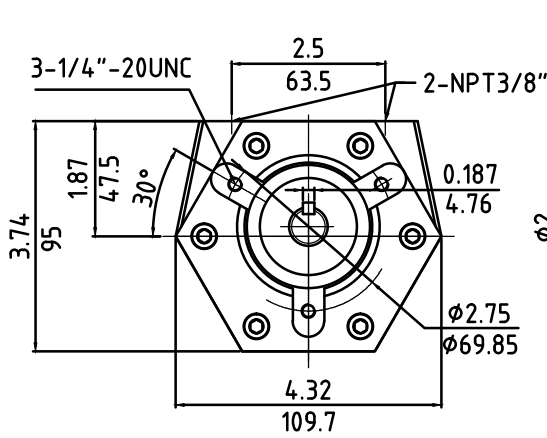
Speedaire® Rotary Vane Air Motor

E
N
G
L
I
S
H

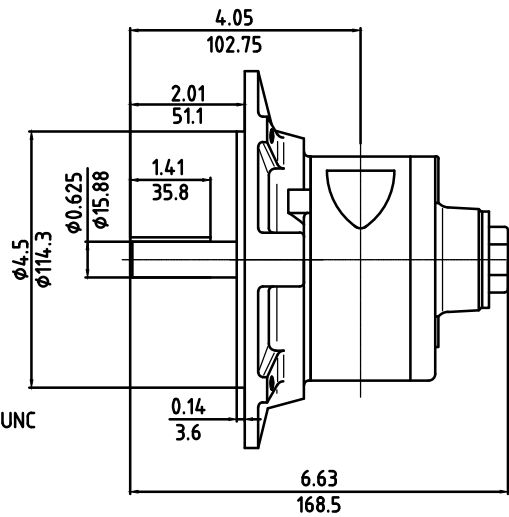
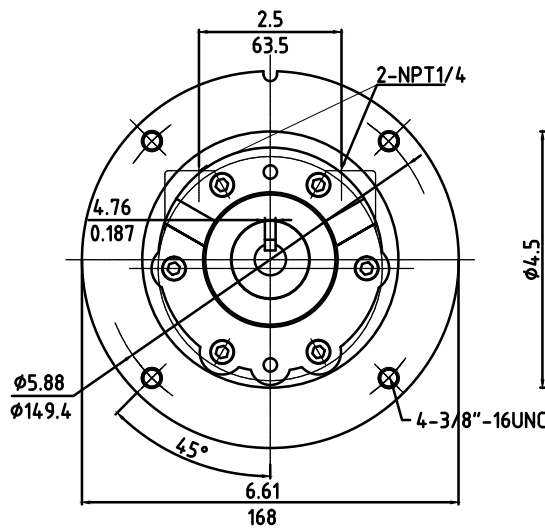
Dimensions

Inches/mm

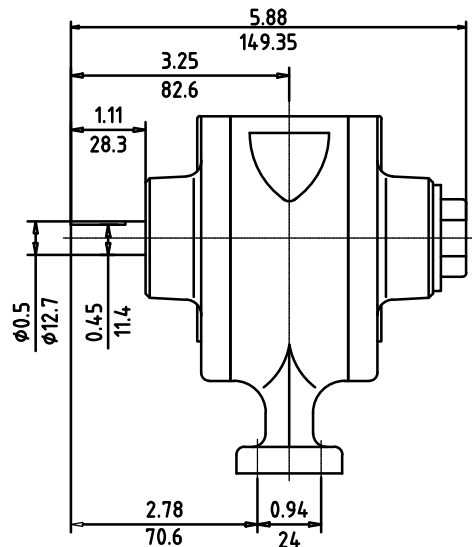
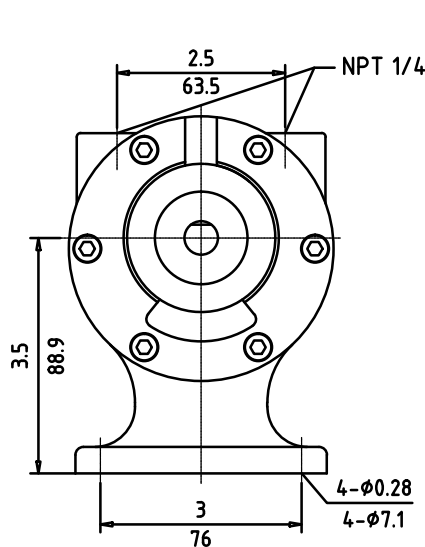
22UX45



22UX46



22UX73

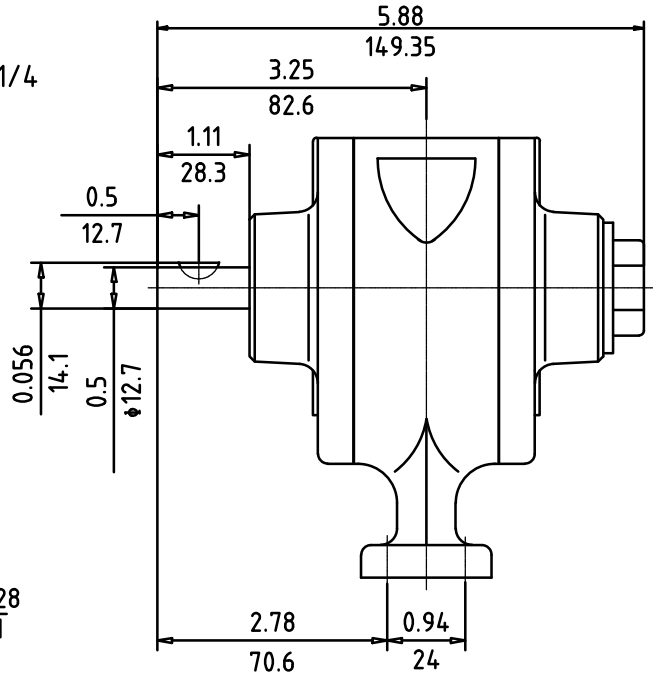
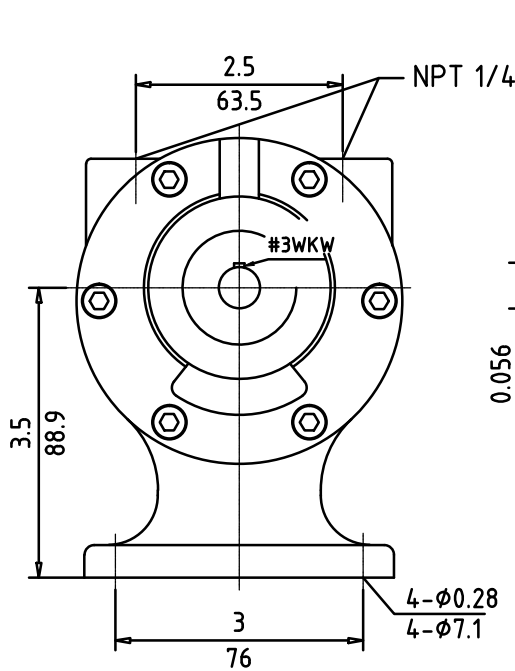


Speedaire[®] Rotary Vane Air Motor

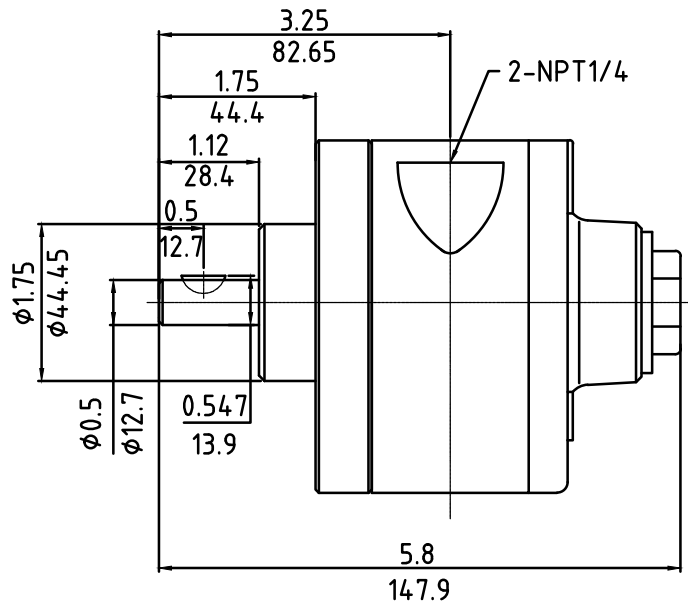
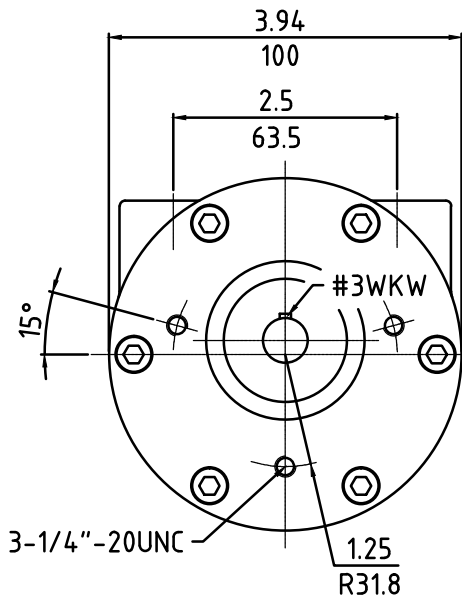
Dimensions

22UX74

Inches/mm



22UX75



Speedaire® Rotary Vane Air Motor

ENGLISH

Use of Air Motors in Hazardous (Classified) Locations

To-date, there are no known standards governing the operation of air motors in Class I and Class II Hazardous (Classified) Locations like those that exists and are defined by Underwriters Laboratories Inc. (UL) for electric motors. As such, please note the following:

An air motor is typically not a source of sparks. However, it is possible to create an external spark if something strikes against the air motor housing or shaft (e.g., a wrench, hammer, etc.).

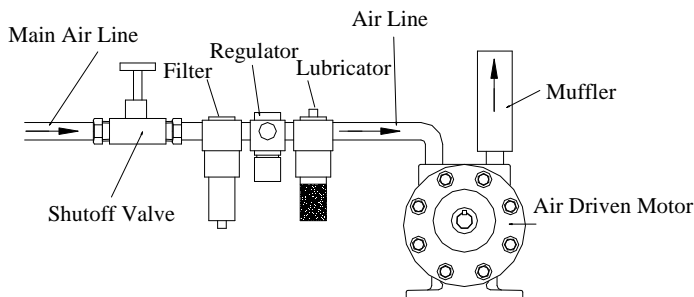
An air motor housing enclosure is not designed to contain an internal explosion as is the case with UL Certified Hazardous Location Electric Motors. The only possible ignition source of a hazardous atmosphere inside an air motor would be the result of contact between the stationary housing and the rotating parts. Although highly improbable, an internal explosion of a hazardous atmosphere inside an air motor is possible.

Finally, to ensure the safe operation of an air motor in a hazardous location application, always follow the safety information, installation, operation and maintenance instructions provided herein.

Most important: Prior to installing and operating an air motor in a hazardous location, always consult with a qualified engineer, local officials and your insurance carrier representative for a final determination of a safe operating environment.

Mounting and Connection

The motor must be installed to a solid metal base plate, which is installed to a stable and solid operating surface. A shock absorber is needed to reduce the noise and vibration. A simple shut-off valve or a pressure regulator is also needed to control the motor.



Air Motor System

Check the motor's airflow direction. A single rotation motor is only suitable for operation in one direction. A muffler is required to be connected to the air outlet of single rotation motors. Unlike the single rotation motor, the reversible motor will work equally well in both directions. Connect a 4-way valve with piping to both air ports of the motor to make reversing possible. Connect the sound absorber on the air exhaust port connection. Remove the shipping plugs from the ports and save them for future use during shutdown. Before connecting the motor, an air filter is needed to be installed in the air line. An air pressure regulator to

control motor torque and a flow control (shut-off) valve to control motor speed is also required.

Install an automatic air line lubricator in the air line within 18 inches (0.5 meter) or as close as possible to the air motor. The lubricator needs to be installed upstream of the air motor so that the oil mist will be blown directly into the motor. Make sure the lubricator is always filled with oil.

Before connecting to the ports, clean the compressed air connections with low pressure air to remove any dirt or debris.

Always use air lines that are the same size, or larger, than the air motor inlet port (refer to port size in the Specifications chart).

CAUTION *When making connections, you should not add any thrust to the end or side of the shaft.*

Do not use a hammer on the shaft or connections.

Accessories

A muffler is packed in the box with the air motor but is not installed. A moisture trap and 5 micron filter in the air line ahead of motor is recommended (not provided with product and needs to be purchased separately).

WARNING *Air stream from product may contain solid or liquid material that can result in eye or skin damage.*

Speedaire[®] Rotary Vane Air Motor

Operation

Take note of and follow the below work conditions:

1. Operating pressure should be 100PSI/7Bar or lower.
2. Ambient temperature operating range for normal operation is 32°F (0°C) to 250°F (120°C).
3. Ambient temperature operating range in Hazardous Location is 32°F (0°C) to 104°F (40°C).
4. Protect unit from dirt and moisture.
5. Use ONLY compressed air to drive motor.
6. Air lines connected to the motor should be the same size or the next size larger than the inlet port for efficient output and speed control.
7. Protect all surrounding items from exhaust air.
8. Shielded bearings are grease packed, no relubrication required.
9. Air supply, directional control valve and pressure regulator should be selected based upon the air consumption of the motor.
10. Shut down the air motor for about 15 to 30 minutes after every 8 hours of operation for cooling.

NOTE: DO NOT run the motor at high speeds with no load.

▲ WARNING

Injury Hazard
Wear protective eyewear when operating this motor.

Combustible gases cannot be used to drive this motor. Wear hearing protection because the motor sound level may exceed 85 db (A). Failure to follow these instructions can result in eye injury or other serious injury.

▲ WARNING

Make sure all connections are properly installed before starting the motor. Operate this product

at recommended speeds, loads and room ambient temperature. Do not run the motor at high speeds with no load. It will result in excessive internal heating that may cause damage to the motor.

The starting torque is less than the running torque, and varies upon the position of the vanes.

Use a pressure regulator to control torque and/or a control valve to control speed of the motor. It will provide the required power and will conserve air. Open the air supply valve to the motor and set the pressure or flow rate to the required speed or torque. Adjust the lubricator to feed one drop of oil for every 20-30 CFM (1 drop per minute) of air moving through motor. Check the oil level every day. The maximum surface temperature of the motor should not exceed

275°F (135°C).

Maintenance

▲ WARNING

Injury Hazard
Cut off air supply and vent all air lines before beginning any

maintenance activity.

Wear protective eyewear when washing this product. Wash in a well ventilated area.

Kerosene or other combustible solvents must not be used to wash this motor.

Failure to follow these instructions can result in eye injury or other serious injury.

It is the end-user's responsibility to regularly inspect and make necessary repairs to maintain proper operation of this product.

Lubrication

Lubrication is a must to prevent rust on all moving parts.

1. Shut down the air motor after every 8 hours of operation.
 - a. By manual, add 15 drops of oil to the air motor inlet port.
 - b. By lubricator, add 1 drop per minute for every 25 CFM. Do not add too much oil to avoid exhausted air contamination.
2. Check inlet and exhaust filters after first 500 hours of operation. Clean filters and determine how frequently filters should be checked during future operation. This process has the advantage to assure proper performance and service life of the motor.
3. Choose SAE #10 Air Tool Oil or equivalent to lubricate the air motor.

Flushing

Flush the outside of the air motor by removing excessive dirt, foreign particles and moisture or oil that occurs during normal operation. The recommended solvent for cleaning the outside of the air motor is Grainger Solvent SKU# 6WB63 or equivalent. Read Cleaner User Manual before using the solvent. Do not use kerosene or any other combustible solvent to flush the motor. The flushing steps are:

1. Cut off the air supply and the air line. Remove the muffler.
2. Add 6WB63 Flushing Solvent directly into the motor. Spray for about 5-10 seconds into the inlet port if you use spray solvent.
3. Rotate the shaft by hand for a few minutes in both directions. **WEAR EYE PROTECTION.**
4. Use a cloth to cover exhaust and reconnect the air line.

Speedaire® Rotary Vane Air Motor

5. Then restart the motor at a low pressure of about 10 PSI/0.7 Bar until there is no trace of solvent in the exhaust air.
6. Listen to the changes of the motor's sound. Flushing is finished if it sounds smooth. If it doesn't sound smooth, repair and maintenance is needed.
7. Relubricate the motor prior to putting back into normal service use.



WARNING Ensure to disconnect air lines before shutting down the air motor.

Wear eye protection. Keep away from air stream. Check all external accessories in good condition before operation.

Service kit installation

The Service Kits contain vanes, shaft seal, bearing and shims etc.

Refer to respective Repair Parts pages in this manual for Air Motor Repair Kit Numbers.

Disassembly and Rebuild:

1. Use the proper sized wrench to carefully remove the end cap from the motor with approximately 25 ft-lb torque. Then remove the end cap gasket. Refer to fig. 1, fig. 3, fig. 5.
2. Remove the drive end plate bolts with approximately 3.3 ft-lb torque.
3. Remove the drive end plate. Refer to fig. 1, fig. 3, fig. 5.
4. Remove the non-drive end plate bolts with approximately 3.3 ft-lb torque.
5. Remove the body and vanes. Refer to fig. 2, fig. 4, fig. 6.

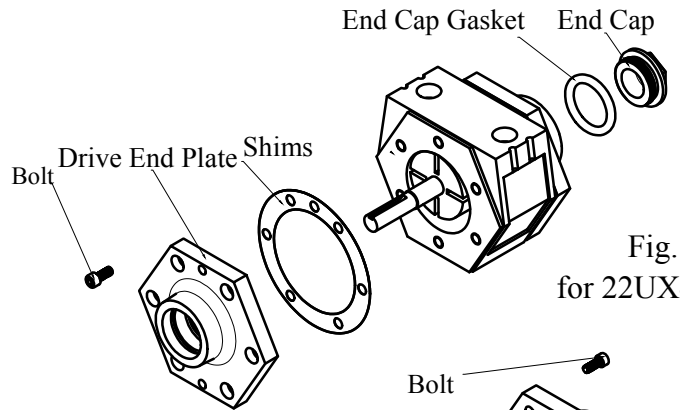


Fig. 1
for 22UX45

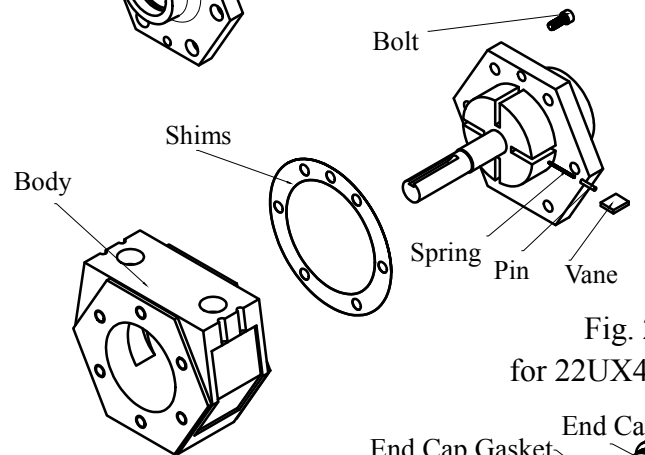


Fig. 2
for 22UX45

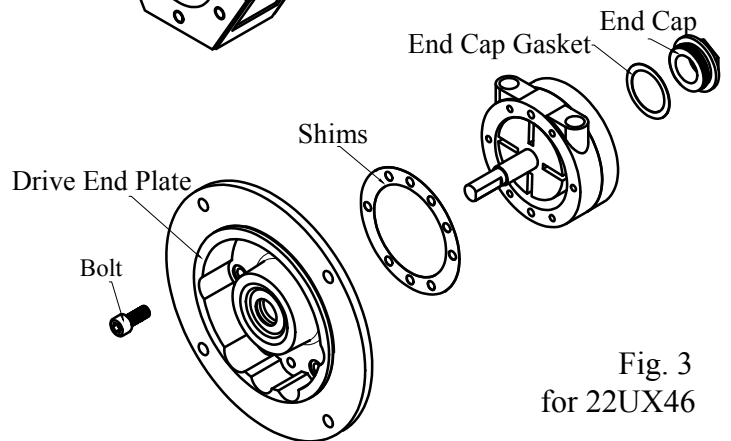


Fig. 3
for 22UX46

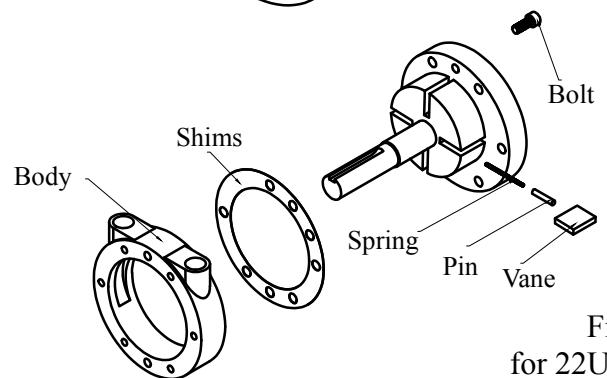


Fig. 4
for 22UX46

Speedaire® Rotary Vane Air Motor

6. Draw out the rotor and remove non-drive end plate. Refer to fig. 7.
7. Use an arbor press to press out the air motor bearings. Refer to fig. 8.
8. Carefully clean the parts of the motor and check all the main parts like vanes, bearings, etc. to ensure all parts are in good condition.

NOTE: The vane is a key part which will wear down after long-term running. It is optional to replace some or all parts due to wear conditions. It is recommended to replace all parts included in the service kit pack.

9. Add 1-3 drops of SAE #10 Air Tool Oil or equivalent on parts surface before reassembly.
10. Put vane into rotor and then insert them into the body.
11. Replace the end plates and then thread in the bolts with approximately 3.3 ft-lb.
12. Tighten the end cap with approximately 25 ft-lb force.

NOTE: Check the rotor again before firmly turning on the end cap. SLIGHTLY tap the rotor shaft or end plates with mallet to ensure parts matching well.

Estimated bearing life		
Model No	Operating Speed (RPM)	Estimated Bearing Life hours
22UX45, 22UX46,22UX73, 22UX74,22UX75	3,000	14,000

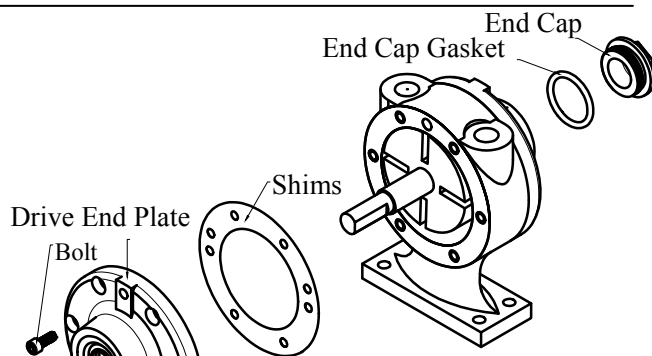


Fig. 5
for 22UX73/74/75

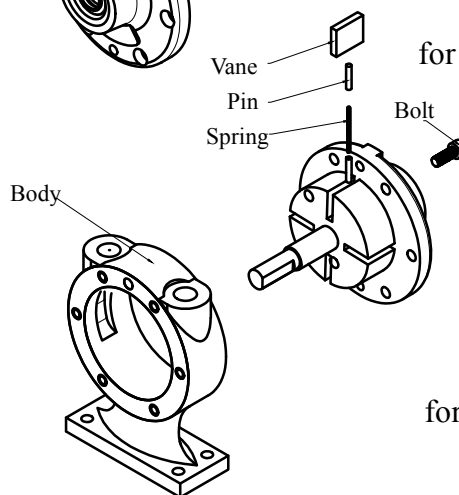


Fig. 6
for 22UX73/74/75

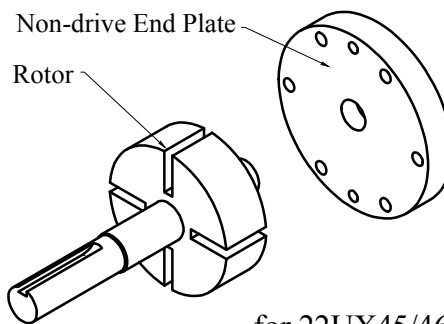


Fig. 7
for 22UX45/46/73/74/75

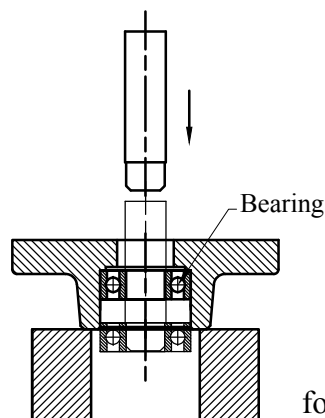


Fig. 8
for 22UX45/46/73/74/75

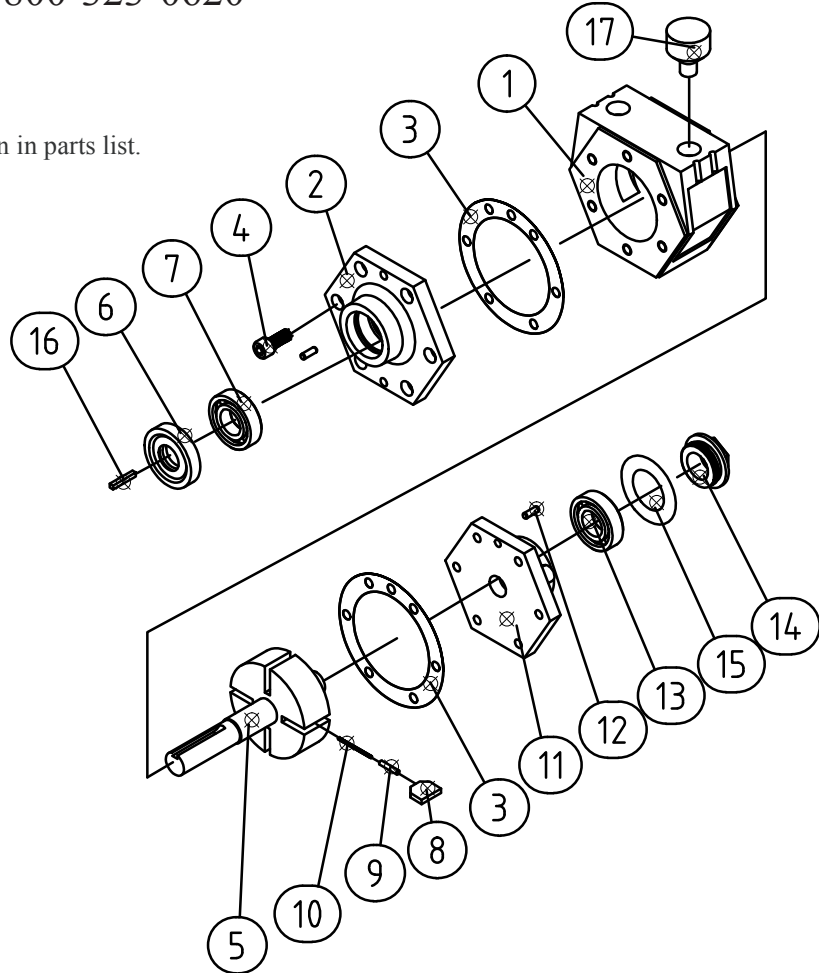
E
N
G
L
I
S
H

Model 22UX45

For Repair Parts, call 1-800-323-0620

Please provide following information:

- Model number
- Serial number (if any)
- Part description and number as shown in parts list.



Part List - 22UX45

Ref. No.	Description	Part Number	Quantity	Ref. No.	Description	Part Number	Quantity
1	BODY	***	1	10	Δ SPRING	PN22UX035G	2
2	DRIVE END PLATE	***	1	11	NON-DRIVE END PLATE	***	1
3	Δ SHIMS	PN22UX013G	2	12	PIN(6×20)	PN22UX038G	4
4	BOLT (M6×12)	PN22UX021G	12	13	Δ BEARING(6002)	PN22UX023G	1
5	ROTOR	***	1	14	END CAP	***	1
6	Δ SHAFT SEAL	PN22UX031G	1	15	Δ END CAP GASKET	PN22UX027G	1
7	Δ BEARING(6203)	PN22UX033G	1	16	KEY	PN22UX032G	1
8	Δ VANE	PN22UX036G	4	17	MUFFLER	PN22UX039G	1
9	Δ PIN	PN22UX034G	4				

*** Denotes parts not available

Δ Denotes parts included in the Service Kit (22XJ76)

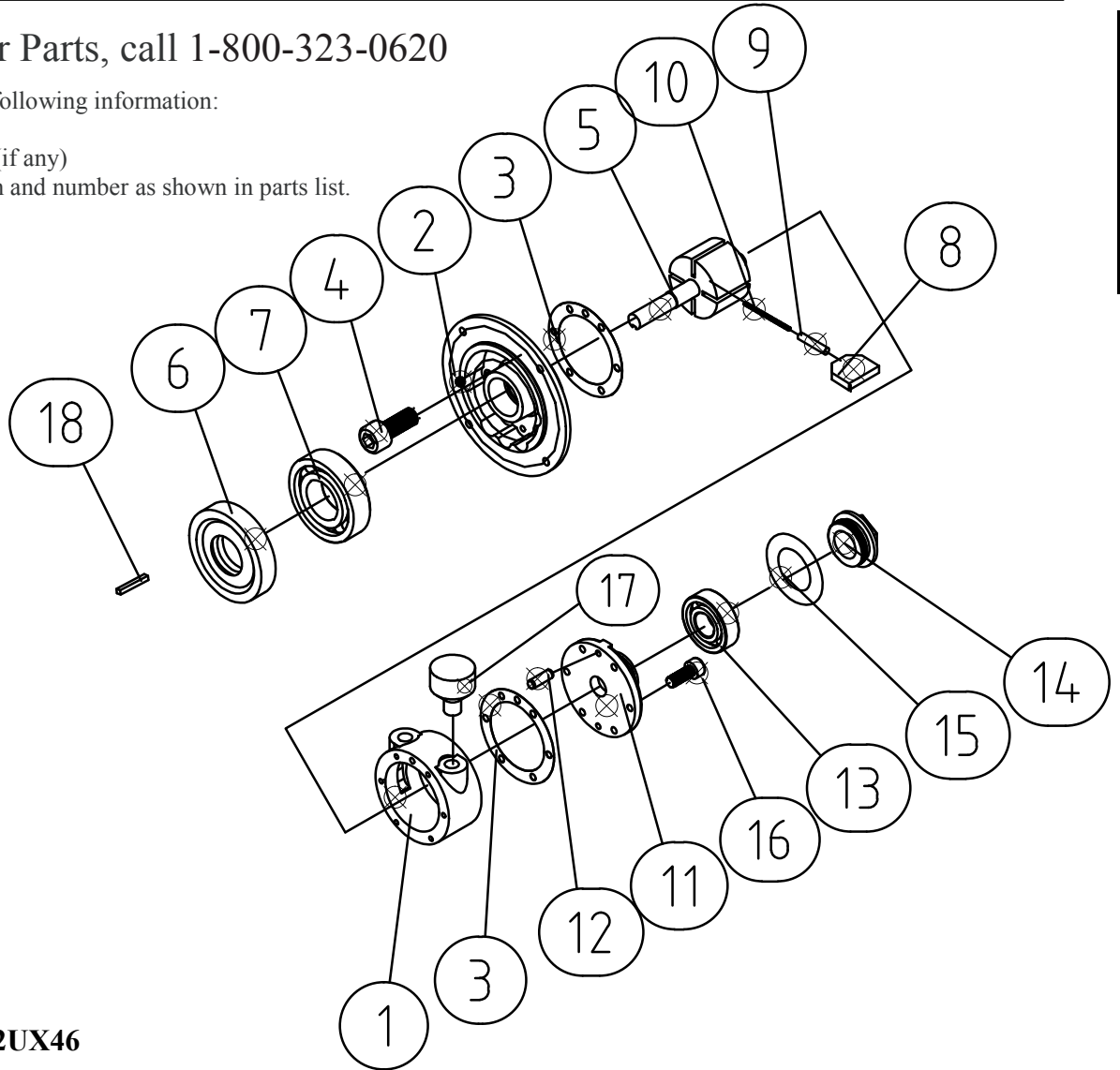
ENGLISH

Model 22UX46

For Repair Parts, call 1-800-323-0620

Please provide following information:

- Model number
- Serial number (if any)
- Part description and number as shown in parts list.



Part List - 22UX46

Ref. No.	Description	Part Number	Quantity	Ref. No.	Description	Part Number	Quantity
1	BODY	***	1	10	Δ SPRING	PN22UX035G	2
2	DRIVE END PLATE	***	1	11	NON-DRIVE END PLATE	***	1
3	Δ SHIMS	PN22UX013G	2	12	PIN(6×20)	PN22UX038G	4
4	BOLT (M6×16)	PN22UX029G	6	13	Δ BEARING(6002)	PN22UX023G	1
5	ROTOR	***	1	14	END CAP	***	1
6	Δ SHAFT SEAL	PN22UX031G	1	15	Δ END CAP GASKET	PN22UX027G	1
7	Δ BEARING(6203)	PN22UX033G	1	16	BOLT (M6×12)	PN22UX021G	6
8	Δ VANE	PN22UX036G	4	17	MUFFLER	PN22UX028G	1
9	Δ PIN	PN22UX034G	4	18	KEY	PN22UX032G	1

*** Denotes parts not available

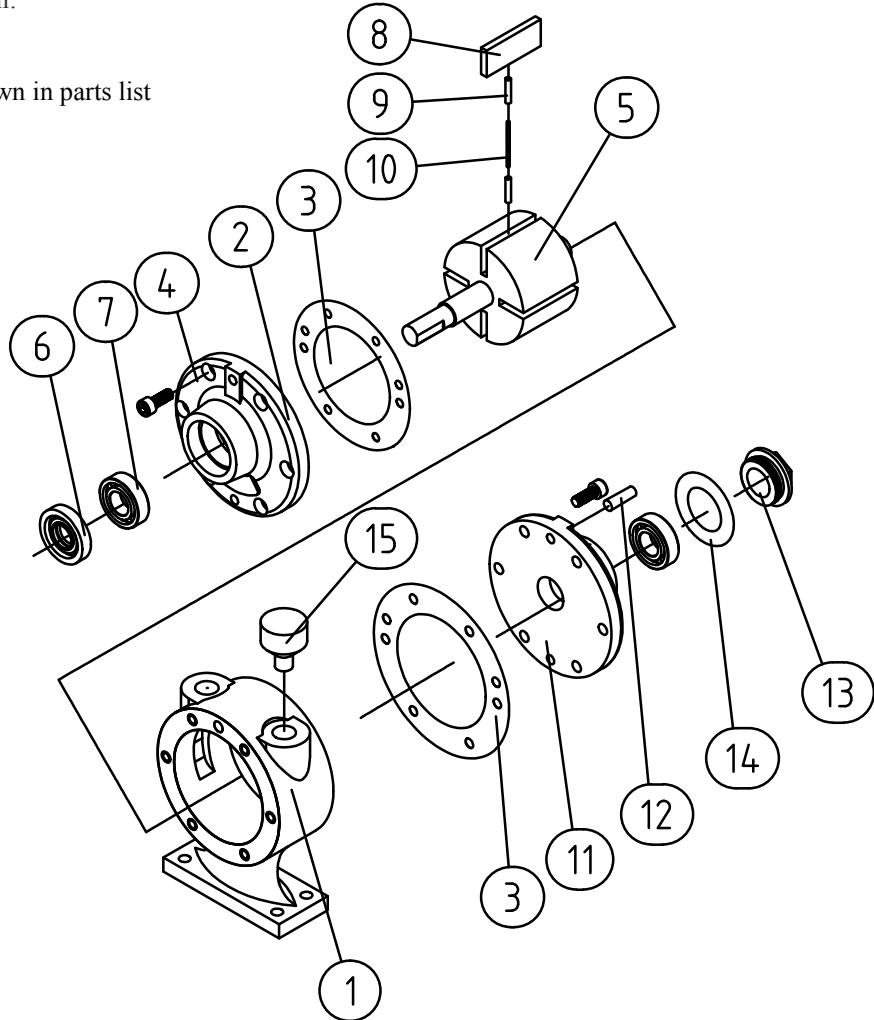
Δ Denotes parts included in the Service Kit (22XJ83)

Model 22UX73

For Repair Parts, call 1-800-323-0620

Please provide following information:

- Model number
- Serial number (if any)
- Part description and number as shown in parts list



Part List - 22UX73

Ref. No.	Description	Part Number	Quantity	Ref. No.	Description	Part Number	Quantity
1	BODY	***	1	9	Δ PIN	PN22UX034G	4
2	DRIVE END PLATE	***	1	10	Δ SPRING	PN22UX035G	2
3	Δ SHIMS	PN22UX013G	2	11	NON-DRIVE END PLATE	***	1
4	BOLT (M6×12)	PN22UX021G	12	12	PIN(6×20)	PN22UX038G	4
5	ROTOR	***	1	13	END CAP	***	1
6	Δ SHAFT SEAL	PN22UX022G	1	14	Δ END CAP GASKET	PN22UX027G	1
7	Δ BEARING(6002)	PN22UX023G	2	15	MUFFLER	PN22UX028G	1
8	Δ VANE	PN22UX036G	4				

*** Denotes parts not available

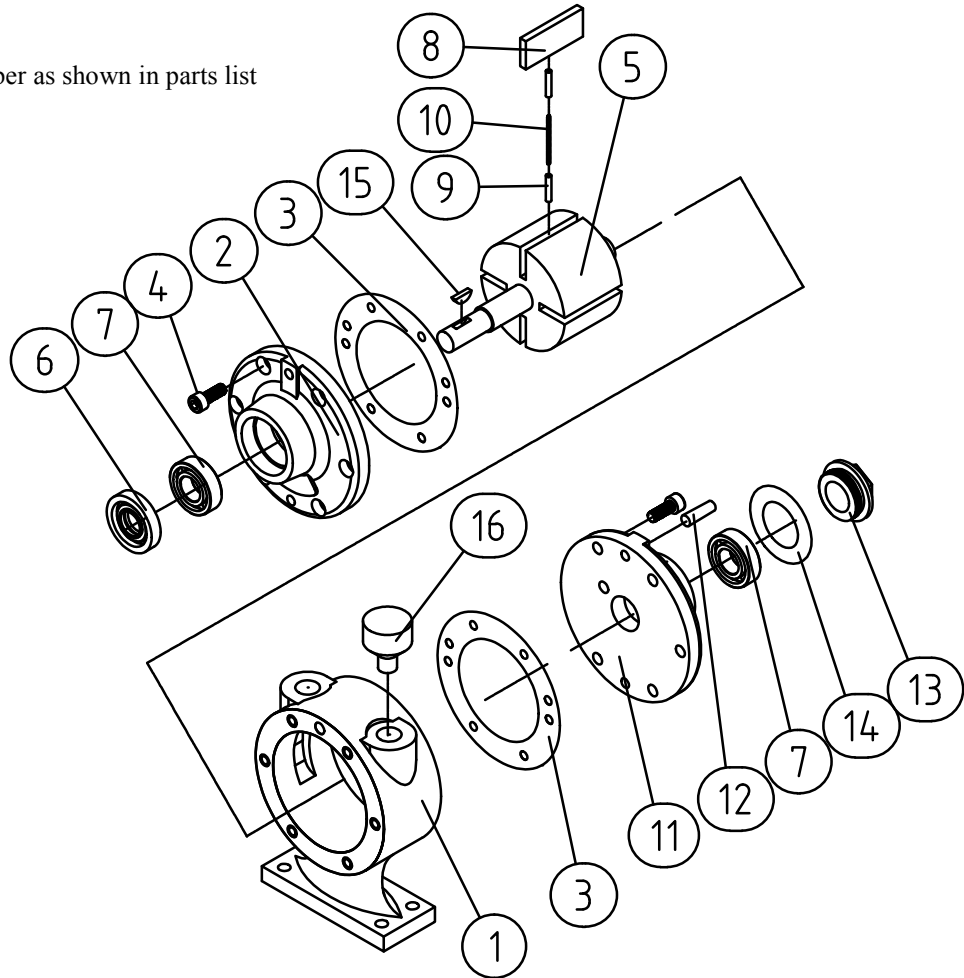
Δ Denotes parts included in the Service Kit (22XJ93)

Model 22UX74

For Repair Parts, call 1-800-323-0620

Please provide following information:

- Model number
- Serial number (if any)
- Part description and number as shown in parts list



Part List - 22UX74

Ref. No.	Description	Part Number	Quantity	Ref. No.	Description	Part Number	Quantity
1	BODY	***	1	9	Δ PIN	PN22UX034G	4
2	DRIVE END PLATE	***	1	10	Δ SPRING	PN22UX035G	2
3	Δ SHIMS	PN22UX013G	2	11	NON-DRIVE END PLATE	***	1
4	BOLT (M6×12)	PN22UX021G	12	12	PIN(6×20)	PN22UX038G	4
5	ROTOR	***	1	13	END CAP	***	1
6	Δ SHAFT SEAL	PN22UX022G	1	14	Δ END CAP GASKET	PN22UX027G	1
7	Δ BEARING(6002)	PN22UX023G	2	15	KEY	PN22UX140G	1
8	Δ VANE	PN22UX036G	4	16	MUFFLER	PN22UX028G	1

*** Denotes parts not available

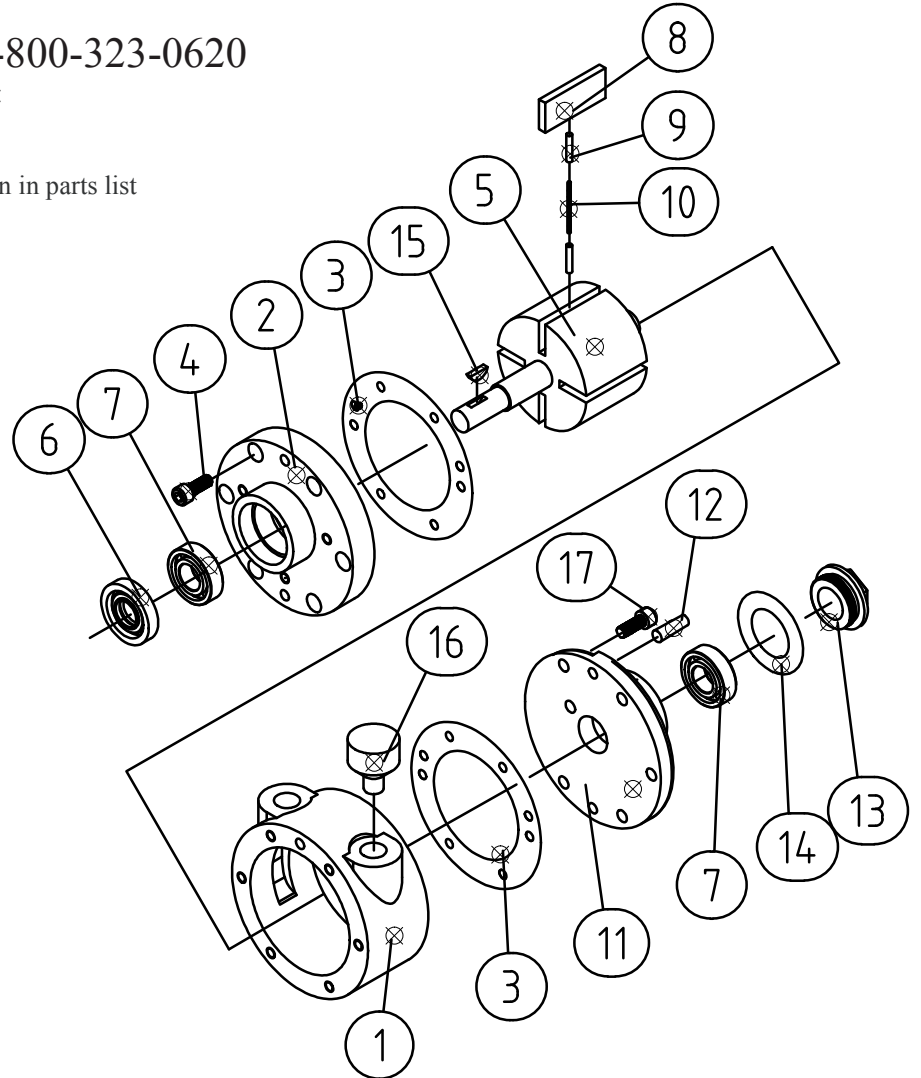
Δ Denotes parts included in the Service Kit (22XJ94)

Model 22UX75

For Repair Parts, call 1-800-323-0620

Please provide following information:

- Model number
- Serial number (if any)
- Part description and number as shown in parts list



Part List - 22UX75

Ref. No.	Description	Part Number	Quantity	Ref. No.	Description	Part Number	Quantity
1	BODY	***	1	10 Δ	SPRING	PN22UX035G	2
2	DRIVE END PLATE	***	1	11	NON-DRIVE END PLATE	***	1
3 Δ	SHIMS	PN22UX013G	2	12	PIN(6×20)	PN22UX038G	4
4	BOLT (M6×16)	PN22UX029G	6	13	END CAP	***	1
5	ROTOR	***	1	14 Δ	END CAP GASKET	PN22UX027G	1
6 Δ	SHAFT SEAL	PN22UX022G	1	15	KEY	PN22UX140G	1
7 Δ	BEARING(6002)	PN22UX023G	2	16	MUFFLER	PN22UX028G	1
8 Δ	VANE	PN22UX036G	4	17	BOLT (M6×12)	PN22UX021G	6
9 Δ	PIN	PN22UX034G	4				

*** Denotes parts not available

Δ Denotes parts included in the Service Kit (22XJ95)

Speedaire[®] Rotary Vane Air Motor

Troubleshooting Chart

Symptom	Possible Cause(s)	Corrective Action
Doesn't Run.	<ol style="list-style-type: none"> 1. Dirt or foreign material. 2. Internal rust. 3. Motor is jammed. 4. Worn Vanes 5. Bearing Failure 	<ol style="list-style-type: none"> 1. Inspect and wash. 2. Inspect and wash. 3. Disassemble and clean. 4. Inspect and replace. 5. Inspect and replace.
Runs Well Then Slows Down.	<ol style="list-style-type: none"> 1. Restricted exhaust. 2. Motor requires cleaning. 3. Air source inadequate. 4. Air source far from motor. 5. The sealant is corrosion. 	<ol style="list-style-type: none"> 1. Inspect and repair. 2. Disassembly and clean 3. Check air resource. 4. Adjust air resource. 5. Inspect and replace.
Low Torque.	<ol style="list-style-type: none"> 1. Dirt or foreign material. 2. Low air pressure. 3. Motor requires cleaning. 4. Worn out bearings. 5. Worn air motor vanes. 6. The sealant is corrosion. 	<ol style="list-style-type: none"> 1. Disassemble and clean. 2. Increase pressure. 3. Disassembly and clean 4. Inspect and replace. 5. Inspect and replace. 6. Inspect and replace.
Low Speed.	<ol style="list-style-type: none"> 1. Dirt or foreign material present. 2. Internal rust. 3. Low air pressure. 4. Air source restricted. 5. Restricted exhaust. 6. Motor is jammed. 7. Air source CFM inadequate. 8. Air source far from motor. 9. Worn Vanes 	<ol style="list-style-type: none"> 1. Disassemble and clean. 2. Inspect and wash. 3. Increase pressure. 4. Check air hose. 5. Inspect and repair. 6. Disassembly and clean. 7. Check air resource. 8. Adjust air resource. 9. Inspect and replace.

Model 22UX45, 22UX46, 22UX73 thru 22UX75

LIMITED WARRANTY

DAYTON ONE-YEAR LIMITED WARRANTY. SPEEDAIRE® AIR MOTOR, MODELS COVERED IN THIS MANUAL, ARE WARRANTED BY DAYTON ELECTRIC MFG. CO. (DAYTON) TO THE ORIGINAL USER AGAINST DEFECTS IN WORKMANSHIP OR MATERIALS UNDER NORMAL USE FOR ONE YEAR AFTER DATE OF PURCHASE. ANY PART WHICH IS DETERMINED TO BE DEFECTIVE IN MATERIAL OR WORKMANSHIP AND RETURNED TO AN AUTHORIZED SERVICE LOCATION, AS DAYTON DESIGNATES, SHIPPING COSTS PREPAID, WILL BE, AS THE EXCLUSIVE REMEDY, REPAIRED OR REPLACED AT DAYTON'S OPTION. FOR LIMITED WARRANTY CLAIM PROCEDURES, SEE "PROMPT DISPOSITION" BELOW. THIS LIMITED WARRANTY GIVES PURCHASERS SPECIFIC LEGAL RIGHTS WHICH VARY FROM JURISDICTION TO JURISDICTION.

LIMITATION OF LIABILITY. TO THE EXTENT ALLOWABLE UNDER APPLICABLE LAW, DAYTON'S LIABILITY FOR CONSEQUENTIAL AND INCIDENTAL DAMAGES IS EXPRESSLY DISCLAIMED. DAYTON'S LIABILITY IN ALL EVENTS IS LIMITED TO AND SHALL NOT EXCEED THE PURCHASE PRICE PAID.

WARRANTY DISCLAIMER. A DILIGENT EFFORT HAS BEEN MADE TO PROVIDE PRODUCT INFORMATION AND ILLUSTRATE THE PRODUCTS IN THIS LITERATURE ACCURATELY; HOWEVER, SUCH INFORMATION AND ILLUSTRATIONS ARE FOR THE SOLE PURPOSE OF IDENTIFICATION, AND DO NOT EXPRESS OR IMPLY A WARRANTY THAT THE PRODUCTS ARE MERCHANTABILITY, OR FIT FOR A PARTICULAR PURPOSE, OR THAT THE PRODUCTS WILL NECESSARILY CONFORM TO THE ILLUSTRATIONS OR DESCRIPTIONS. EXCEPT AS PROVIDED BELOW, NO WARRANTY OR AFFIRMATION OF FACT, EXPRESSED OR IMPLIED, OTHER THAN AS STATED IN THE "LIMITED WARRANTY" ABOVE IS MADE OR AUTHORIZED BY DAYTON.

Technical Advice and Recommendations, Disclaimer. Notwithstanding any past practice or dealings or trade custom, sales shall not include the furnishing of technical advice or assistance or system design. Dayton assumes no obligations or liability on account of any unauthorized recommendations, opinions or advice as to the choice, installation or use of products.

Product Suitability. Many jurisdictions have codes and regulations governing sales, construction, installation, and/or use of products for certain purposes, which may vary from those in neighboring areas. While attempts are made to assure that Dayton products comply with such codes, Dayton cannot guarantee compliance, and cannot be responsible for how the product is installed or used. Before purchase and use of a product, review the product applications, and all applicable national and local codes and regulations, and be sure that the product, installation, and use will comply with them.

Certain aspects of disclaimers are not applicable to consumer products; e.g., (a) some jurisdictions do not allow the exclusion or limitation of incidental or consequential damages, so the above limitation or exclusion may not apply to you; (b) also, some jurisdictions do not allow a limitation on how long an implied warranty lasts, consequently the above limitation may not apply to you; and (c) by law, during the period of this Limited Warranty, any implied warranties of implied merchantability or fitness for a particular purpose applicable to consumer products purchased by consumers, may not be excluded or otherwise disclaimed.

Prompt Disposition. A good faith effort will be made for prompt correction or other adjustment with respect to any product which proves to be defective within limited warranty. For any product believed to be defective within limited warranty, first write or call dealer from whom the product was purchased. Dealer will give additional directions. If unable to resolve satisfactorily, write to Dayton at address below, giving dealer's name, address, date, and number of dealer's invoice, and describing the nature of the defect. Title and risk of loss pass to buyer on delivery to common carrier. If product was damaged in transit to you, file claim with carrier.

Manufactured for Dayton Electric Mfg. Co., 100 Grainger Parkway, Lake Forest, Illinois 60045 U.S.A..

Por favor lea y guarde estas instrucciones.

Lea cuidadosamente antes de tratar de armar, instalar, manejar o darle servicio al producto descrito. Protéjase a sí mismo ya los demás observando toda la información de seguridad. El incumplimiento de las instrucciones podría resultar en lesiones personales y / o daños a la propiedad! Guarde las instrucciones para referencia futura.

Speedaire® Motor de Aire de Veleta Giratoria

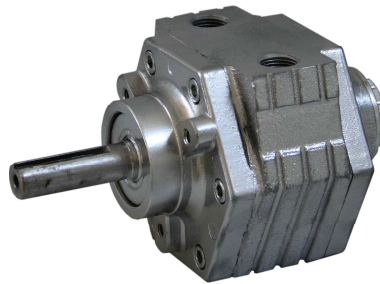
Descripción

Con el aire comprimido como medio de actuación, los motores de aire de paletas rotativas utilizan la expansión de la aire comprimido para convertir la energía de presión en energía mecánica energía. Ellos pueden ser regulados con facilidad para la velocidad y el par, y puede detener y revertir rápidamente. Se utilizan comúnmente en muchos aplicaciones industriales y de chispa-prohibida. Las aplicaciones típicas son: Platos de mezcla, dispositivos de tensión, interruptores de fibra de vidrio, carretes de manguera y montacargas y cabrestantes, envases farmacéuticos, envasado de alimentos, unidades de la bomba y unidades transportadoras.

Desembalaje

Al desembalar, asegúrese de que el motor de aire no se ve afectada por el fuerte impacto. Compruebe si hay daños que pudieran haber ocurrido durante el transporte. Si se han producido daños, una reclamación debe ser presentada ante el transportista.

Especificaciones



22UX45



22UX46



22UX73/74



22UX75

Modelo No.	Tamaño de Eje (In)	Dato de Operación					Tamaño del Puerto	Esfuerzo de Torsión Máximo			Rotación
		Max. RPM	Salida HP	Esfuerzo de Torsión		Consumo de Aire CFM		RPM	Esfuerzo de Torsión		
				lb.in	Nm				lb.in	Nm	
22UX45	0.625	3000	1.7	36	4.1	78	3/8	300	56	6.3	REV
22UX46	0.625	3000	1.7	36	4.1	78	1/4	300	56	6.3	REV
22UX73	0.5	3000	1.7	36	4.1	78	1/4	300	56	6.3	REV
22UX74	0.5	3000	1.7	36	4.1	78	1/4	300	56	6.3	REV
22UX75	0.5	3000	1.7	36	4.1	78	1/4	300	56	6.3	REV

* Presión de Aire Recomendada de 90 PSI (6.3 Bar)

Tipo de Montaje: Montaje de Superficie para 22UX45 y 22UX75. Montaje de Brida-NEMA 56C para 22UX46. Montaje de Pie para 22UX73 y 22UX74.

Información general de seguridad

Funcionamiento o mantenimiento incorrecto de este producto podría resultar en lesiones graves y daños materiales. Por favor, lea y comprenda todas las instrucciones antes de usar un motor de aire.



Indica peligros que pueden causar lesiones personales graves, la muerte o daños a la propiedad si se ignoran.



Indica peligros que pueden causar lesiones personales o daños materiales menores si se ignoran.

Todo el trabajo de montar, instalar, operar, mantener y reparar el motor de aire debe ser realizada por personal cualificado, y que debe seguir:

1. Normas legales específicas y los requisitos del sistema de motor de aire.
2. Las etiquetas de instrucciones, advertencias y la información sobre el motor.
3. La actual normativa nacional y regional especificaciones relativas a la protección contra explosiones, seguridad y prevención de accidentes.

Instalación



Asegúrese de cumplir con las instalación de protecciones adecuadas conditions. Protecciones apropiadas deben ser instaladas alrededor del eje de salida, según sea necesario.

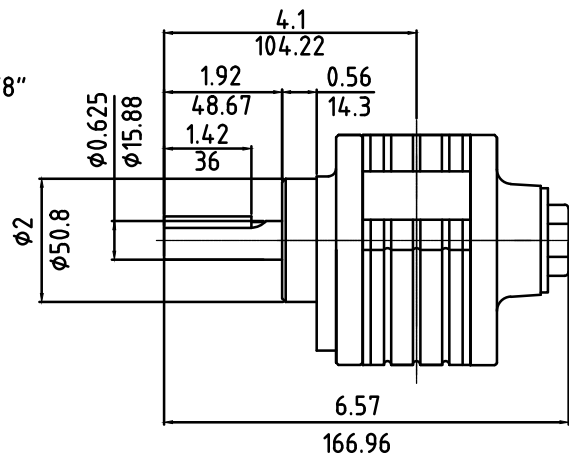
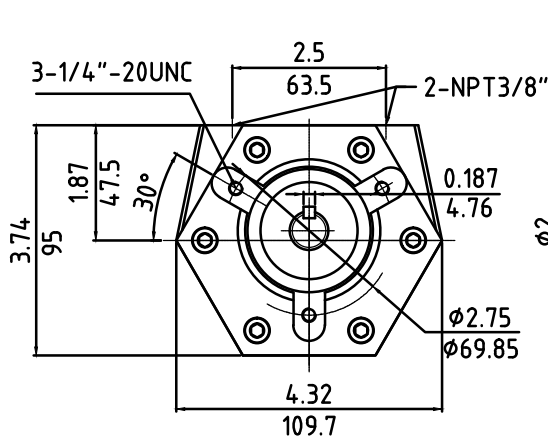
Use gafas de protección al instalar este producto. No seguir estas instrucciones puede ocasionar la lesiones graves o daños materiales.

Speedaire® Motor de Aire de Veleta Giratoria

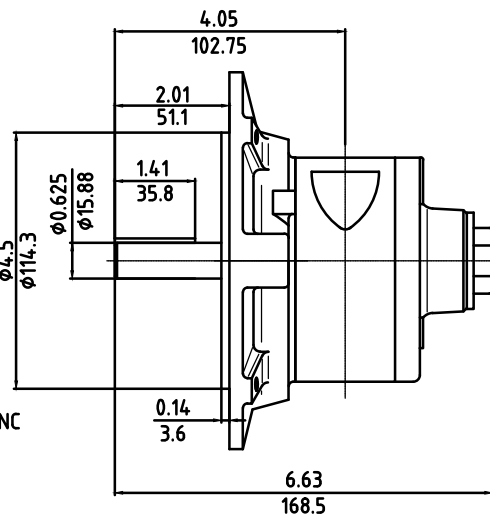
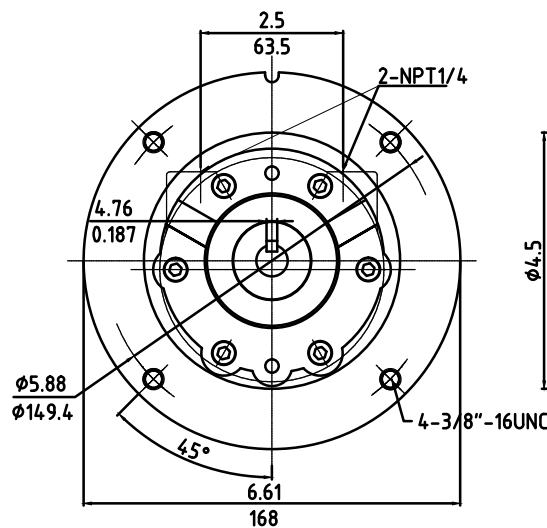
Dimensiones

Pulgadas/mm

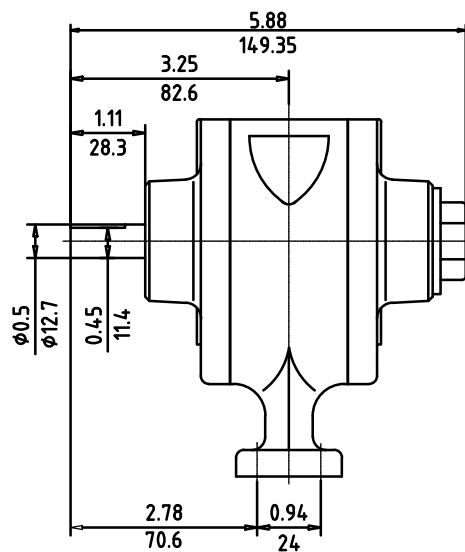
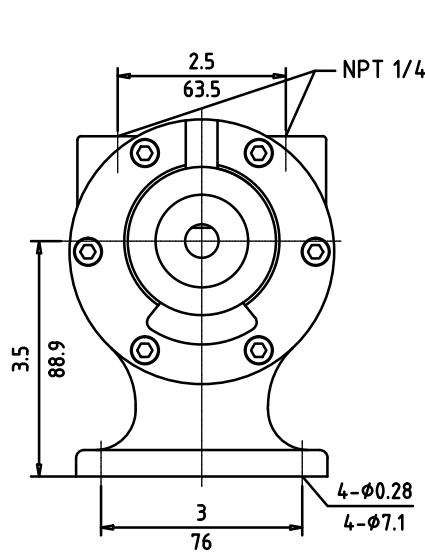
22UX45



22UX46



22UX73

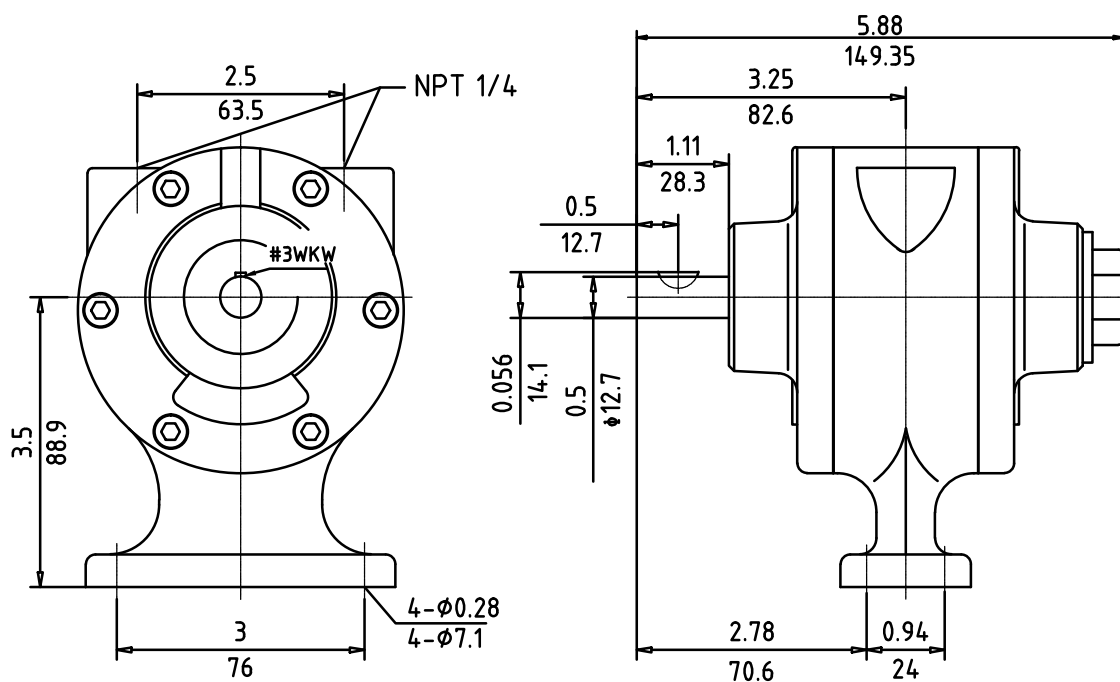


Speedaire® Motor de Aire de Veleta Giratoria

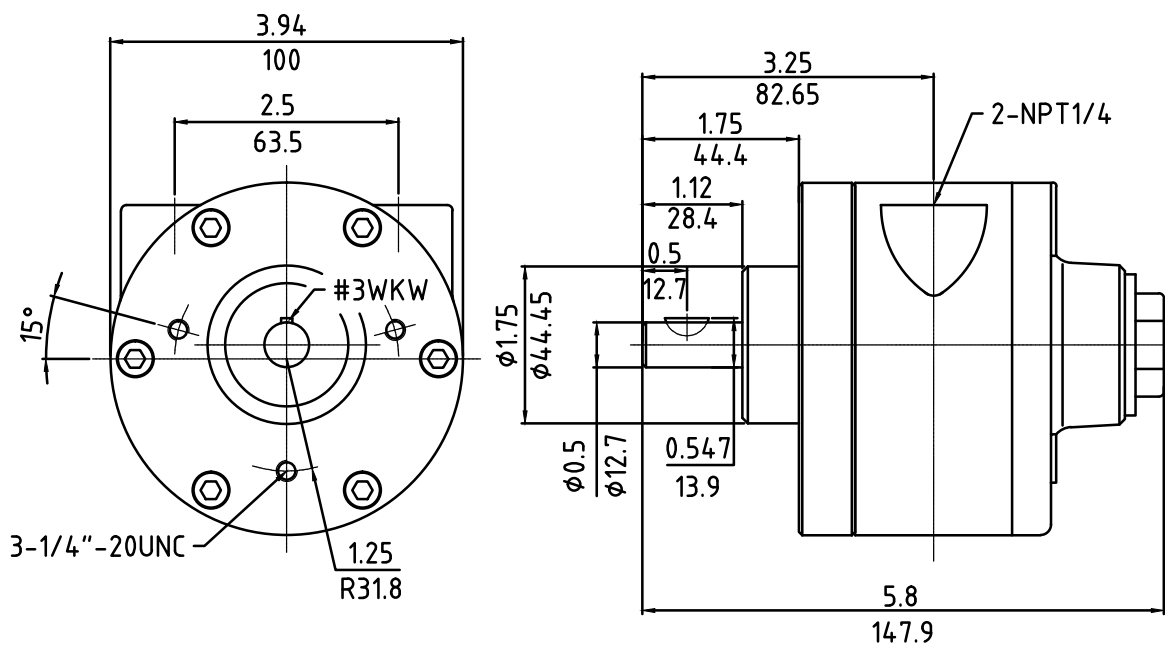
Dimensiones

Pulgadas/mm

22UX74



22UX75



E
S
P
A
Ñ
O
L

Speedaire® Motor de Aire de Veleta Giratoria

El uso de Motores de Aire en ubicaciones peligrosas (clasificadas)

Hasta la fecha, no existen normas conocidas que regulan el funcionamiento de los motores de aire en la clase I y clase II Peligrosos (Clasificadas), como los que existen y que se definen por Underwriters Laboratories Inc. (UL) para los motores eléctricos. Por lo tanto, tenga en cuenta lo siguiente:

Un motor de aire no es típicamente una fuente de chispas. Sin embargo, es posible crear una chispa externa con algunos ataques contra la carcasa del motor de aire o el eje (por ejemplo, una llave, martillo, etc).

Una caja de alojamiento del motor de aire no está diseñada para contener una explosión interna como es el caso con UL Certified Hazardous Location Electric Motors. La única posible fuente de ignición de una atmósfera explosiva en el interior de un motor de aire sería el resultado del contacto entre la carcasa estacionaria y las piezas giratorias.

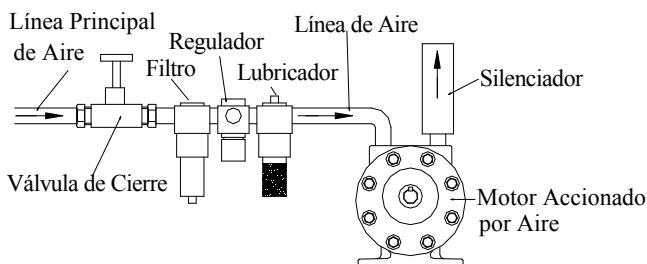
Aunque altamente improbable, una explosión interna de una atmósfera peligrosa en el interior de un motor de aire es posible.

Por último, para garantizar la operación segura de un motor de aire en una aplicación en lugares peligrosos, siga siempre la instrucciones de seguridad de información, instalación, operación y mantenimiento proporcionados en este documento.

Lo más importante: Antes de la instalación y operación de un motor de aire en un lugar peligroso, siempre consulte con un cualificado ingeniero, funcionarios locales y su representante aseguradora para una determinación final de un medio ambiente Seguro para el funcionamiento.

Montaje y conexión

El motor debe ser instalado a una placa base de metal sólido, que se instala a una superficie de funcionamiento estable y sólida. Se necesita un amortiguador para reducir el ruido y vibración. También se necesita una válvula de cierre simple o un regulador de presión para controlar el motor.



Sistema de Motores de Aire

Verifique la dirección del flujo del motor de aire. Un motor de rotación única sólo es adecuado para el funcionamiento en una dirección. Se requiere un silenciador para ser conectado a la salida de aire de los motores de rotación individuales. A diferencia de la rotación del motor único, el motor reversible funcionará igualmente bien en ambas direcciones. Conectar una válvula de 4 vías con la tubería a ambos puertos de aire del motor para hacer marcha atrás posible. Conectar el amortiguador de sonido en la conexión del puerto de salida de aire. Retire los tapones de transporte de los puertos y guardarlos para su uso posterior durante la parada.

Antes de conectar el motor, se necesita un filtro de aire para ser instalado en la línea de aire. También se

requiere un regulador de presión de aire para controlar el par motor y un control de flujo (de cierre) de la válvula para controlar la velocidad del motor.

Instale un lubricador de aire automática en la línea de aire a 18 pulgadas (0.5 metros) o lo más cerca posible del motor de aire. El lubricador necesita ser instalado aguas arriba del motor de aire de manera que la niebla de aceite se sopla directamente en el motor. Asegúrese de que el lubricante está siempre lleno de aceite.

Antes de conectar a los puertos, limpie las conexiones de aire comprimido con aire de baja presión para eliminar la suciedad y los escombros.

Siempre use líneas de aire que son del mismo tamaño, o mayor, que el puerto de entrada del motor de aire (consulte tamaño del puerto en la tabla de especificaciones).

CAUTION

Al hacer las conexiones, que no debe añadir ningún impulso a la extremo o lado del eje.

No utilice un martillo en el eje o conexiones.

Accesorios

Un silenciador se embala en la caja con el motor de aire, pero no se ha instalado. Se recomienda una trampa de humedad y filtro de 5 micrones en la línea de aire delante del motor (no incluido con el producto y debe ser adquirido por separado).

WARNING

La corriente de aire de producto puede contener material sólido o líquido que puede dar lugar a daños en la piel o los ojos.

Speedaire® Motor de Aire de Veleta Giratoria

Funcionamiento

Tome nota y seguir los siguientes condiciones de trabajo:

1. Presión de operación debe ser 100PSI/7Bar o más bajo.
2. Temperatura ambiente de funcionamiento de temperatura de funcionamiento normal es de 32 °F (0 °C) a 250 °F (120 °C).
3. Temperatura ambiente de funcionamiento de temperatura en lugares peligrosos es de 32 °F (0 °C) a 104 °F (40 °C).
4. Proteja la carcasa de la suciedad y la humedad.
5. Utilice sólo el aire comprimido al motor de accionamiento.
6. Las líneas de aire conectadas al motor deben ser de los mismo tamaño o el siguiente tamaño más grande que el orificio de entrada para la producción eficiente y control de velocidad.
7. Proteja a todos los elementos de los alrededores desde el aire de escape.
8. Cojinetes blindados son repleto de grasa, no lubricación necesaria.
9. El suministro de aire, válvula de control direccional y regulador de presión deben ser seleccionados sobre la base de que el aire el consumo del motor.
10. Apague el motor de aire durante unos 15 a 30 minutos después de cada 8 horas de funcionamiento para enfriar.

NOTA: NO funcione el motor de velocidad alta sin carga.

▲ WARNING

Riesgo de Daños
Use protección para los ojos cuando utilice este motor.

Los gases combustibles no pueden ser utilizados para conducir este motor. Use protección para los oídos, ya que el nivel de ruido del motor puede superar los 85 dB (A).

Si no se siguen estas instrucciones pueden producirse en el ojo heridas u otras lesiones graves.

▲ WARNING

Asegúrese de que todas las conexiones estén instaladas correctamente antes de arrancar

el motor. Utilice este producto a velocidades recomendadas, cargas y temperatura del ambiente de la sala. No haga funcionar el motor a altas velocidades sin carga. El resultado será excesivo calentamiento interno que puede causar daño al motor.

El par de arranque es menor que el par de funcionamiento, y varía de acuerdo a la posición de las paletas.

Utilice un regulador de presión para controlar el par y / o una válvula de control de velocidad del motor de

controlar. Además, proporcionará la energía necesaria y conservar el aire. Abra la válvula de suministro de aire al motor y ajuste la tasa de presión o de flujo a la velocidad o el par requerido. Ajuste el lubricador para alimentar una gota de aceite para cada 20-30 CFM (1 gota por minuto) de aire que se mueve a través del motor. Revise el nivel de aceite cada día. La temperatura superficial máxima del motor no debe exceder de 275 °F (135 °C).

Mantenimiento

▲ WARNING

Riesgo de Daños
Corte el suministro de aire y ventile los conductos de aire

antes de iniciar cualquier actividad de mantenimiento.

Use protección para los ojos al lavar este producto.

Lave en un área bien ventilada.

Kerosene u otros disolventes inflamables no deben ser utilizados para lavar este motor.

Si no se siguen estas instrucciones pueden producirse lesiones en los ojos u otras lesiones graves.

Es responsabilidad del usuario final para inspeccionar regularmente y hacer las reparaciones necesarias para mantener el funcionamiento adecuado de este producto.

Lubricación

La lubricación es una necesidad para prevenir la corrosión en las piezas móviles.

1. Apague el motor de aire después de cada 8 horas de funcionamiento.
 - a. Por manual, añada 15 gotas de aceite en el orificio de entrada del motor de aire.
 - b. Por lubricador, agregue 1 gota por minuto por cada 25 CFM. No añada demasiado aceite para evitar la contaminación del aire de escape.
2. Consulta de admisión y escape filtros después de las primeras 500 horas de operación. Limpie los filtros y determinar la frecuencia con filtros deben ser revisados durante la operación futura. Este proceso tiene la ventaja de asegurar el rendimiento y la vida de servicio apropiado del motor.
3. Elija SAE # 10 Aire Herramienta de aceite o equivalente para lubricar el motor de aire.

Enrojecimiento

Enjuague el exterior del motor de aire mediante la eliminación de exceso de suciedad, partículas extrañas y de la humedad o de aceite que se produce durante el funcionamiento normal. El disolvente recomendado para la limpieza de la parte exterior del motor de aire es Grainger disolvente SKU # 6WB63 o equivalente. Lea Manual de Limpiador para el usuario antes de utilizar el disolvente. No utilice kerosene o solvente para limpiar el motor de cualquier otro combustible. Los pasos de lavar son:

Speedaire® Motor de Aire de Veleta Giratoria

1. Corte el suministro de aire y el conducto de aire. Retire el silenciador.
2. Añade 6WB63 disolvente de lavar directamente en el motor. Spray durante unos 5 a 10 segundos en el puerto de entrada si se utiliza disolvente rociado.
3. Gire el eje con la mano durante unos minutos en ambos sentidos. **Lleve gafas de protección.**
4. Use un paño para cubrir escape y vuelva a conectar la línea de aire.
5. A continuación, reinicie el motor a una baja presión de aproximadamente 10 PSI/0.7 Bar hasta que no haya rastro de disolvente en el aire de escape.
6. Escuche a los cambios de sound. Enrojecimiento del motor está acabado si suena suave. Si no suena suave, se requiere la reparación y el mantenimiento.
7. Vuelva a lubricar el motor antes de ponerlo de nuevo en funcionamiento el servicio normal.

WARNING

Asegúrese de desconectar las tuberías de aire antes de apagar el aire del motor.

Use protección para los ojos. Manténgase lejos de corriente de aire. Revise todos los accesorios externos en buen estado antes de la operación.

Instalación de kit de Servicio

El kit de servicio contiene las paletas, sello del eje, cojinete y cuñas, etc.

Consulte respectivamente las páginas de Piezas de Reparación para los Números de Kit de Reparación de Motor de Aire.

Desmontaje y reconstrucción:

1. Utilice la llave de tamaño adecuado para retirar cuidadosamente la tapa del motor con aproximadamente 25 par ft-lb. A continuación, retire la junta de la tapa. Remítir a la fig. 1, la fig. 3, la fig. 5.
2. Quite los tornillos de la placa final del conductor con aproximadamente 3.3 libras-pie de par.
3. Extraiga la placa de extremo duro. Refiérase a la fig. 1, la fig. 3, la fig. 5.
4. Quite los tornillos de la placa de extremo sin accionamiento con aproximadamente 3.3 libras-pie de par.
5. Retire el cuerpo y aletas. Refiérase a la fig. 2, la fig. 4, la fig. 6.

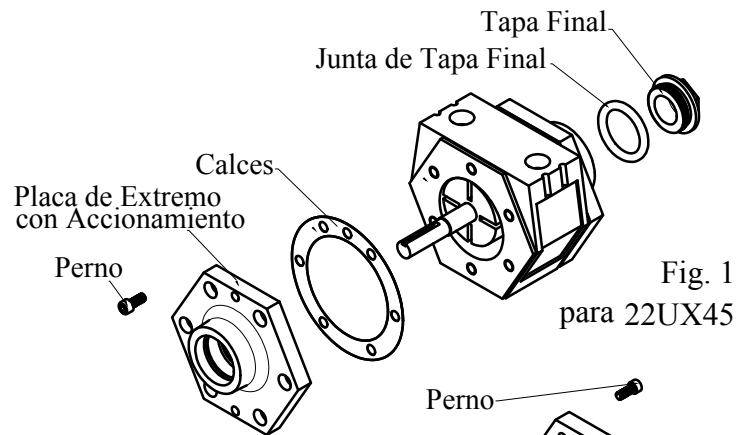


Fig. 1
para 22UX45

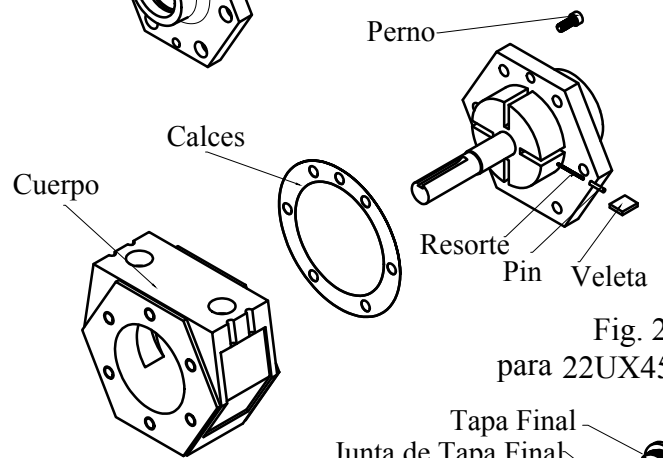


Fig. 2
para 22UX45

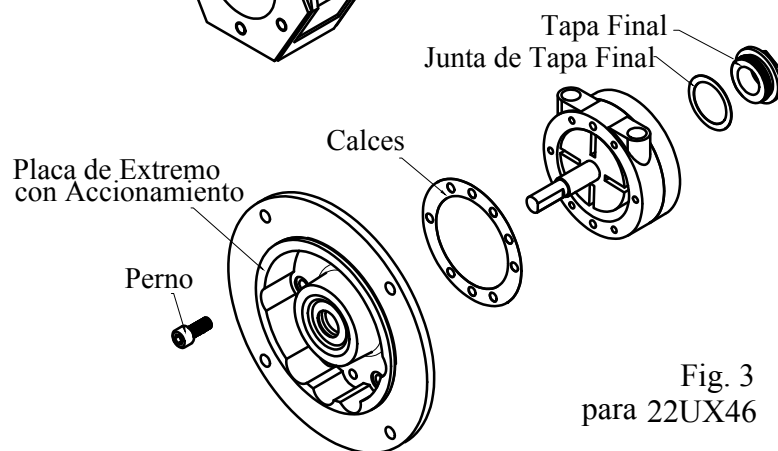


Fig. 3
para 22UX46

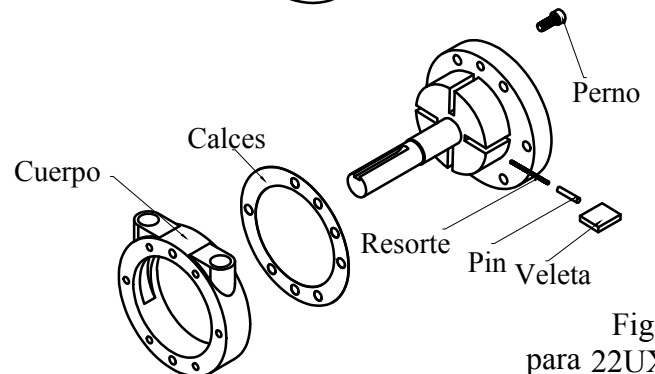


Fig. 4
para 22UX46

Speedaire® Motor de Aire de Veleta Giratoria

6. Extraiga el rotor y retire la placa de extremo sin accionamiento. Consulte la fig. 7.
7. Utilice una prensa de husillo para presionar a los rodamientos del motor de aire. Consulte la fig 8.
8. Limpie cuidadosamente las piezas del motor y se les presentarán todas las partes principales como paletas, rodamientos, etc, para garantizar todas las piezas están en buen estado.

NOTA: El deflector es una pieza clave que se desgasta después de funcionar a largo plazo. Es opcional para reemplazar algunas o todas las piezas debido al desgaste condiciones. Se recomienda sustituir todas las piezas incluidas en el paquete de kit de servicio.

9. Añade 1-3 gotas de SAE # 10 Oleo de Herramienta de Aire o su equivalente en la superficie de las piezas antes de volver a montar.
10. Coloque la veleta en el rotor y luego insertarlos en el cuerpo.
11. Reemplace las placas de extremo y luego rosca en los tornillos con aproximadamente 3.3 ft-lb.
12. Apriete la tapa con aproximadamente 25 Fuerza ft-lb.

NOTA: Verifique que el rotor de nuevo antes de encender firmemente la tapa. **LIGERAMENTE** toque las placas del eje o al final del rotor con un martillo para asegurar las piezas a juego también.

Vida Estimada del Rodamiento		
Modelo No	Velocidad de Funcionamiento (RPM)	Horas Estimadas de la Vida del Rodamiento
22UX45, 22UX46,22UX73, 22UX74,22UX75	3,000	14,000

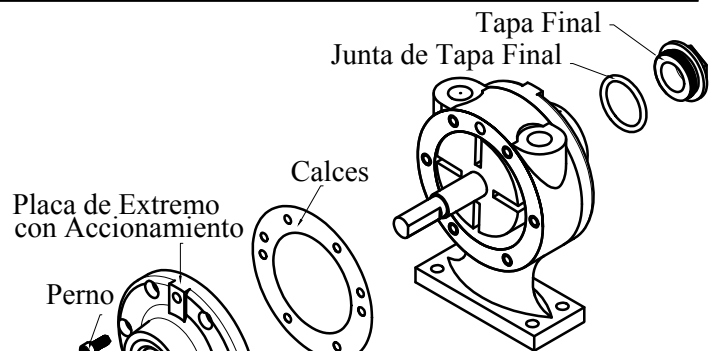


Fig. 5
para 22UX73/74/75

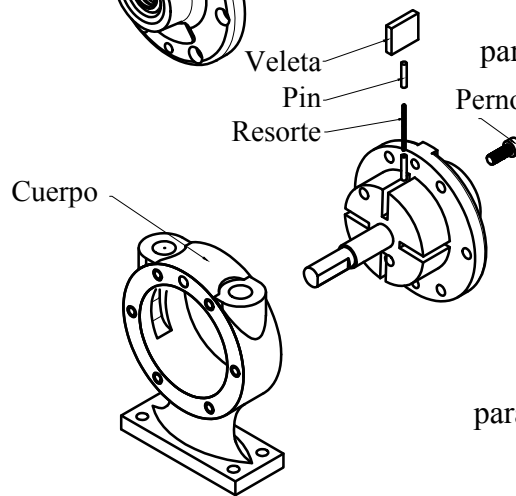


Fig. 6
para 22UX73/74/75

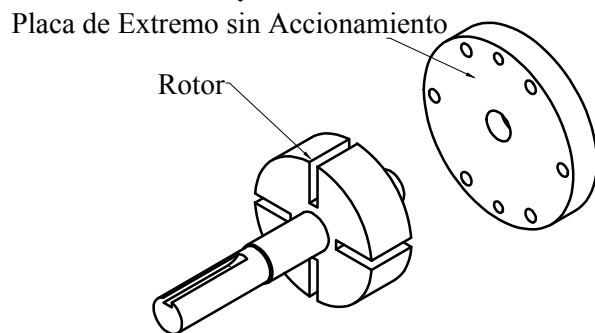


Fig. 7
para 22UX45/46/73/74/75

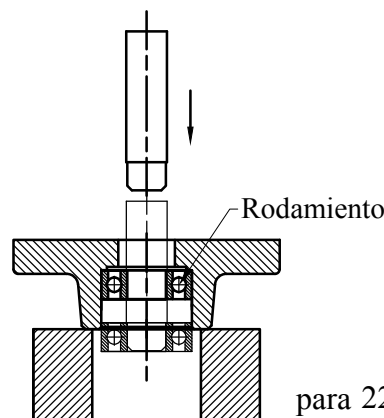


Fig. 8
para 22UX45/46/73/74/75

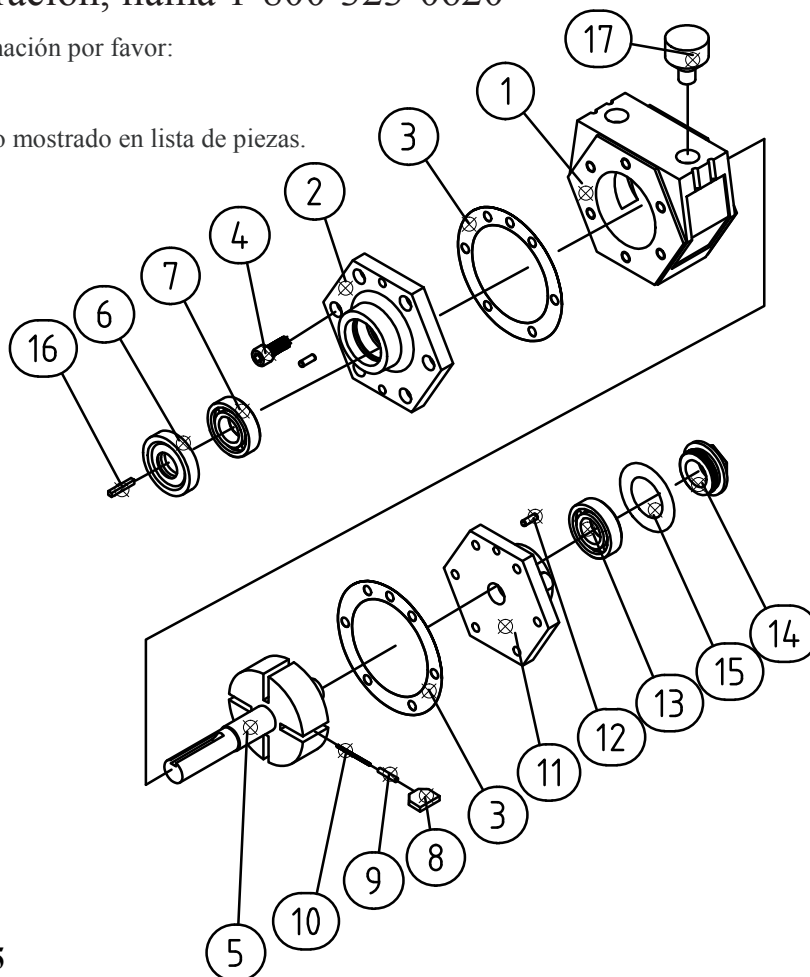
ESPANOL

Modelo 22UX45

Para piezas de reparación, llama 1-800-323-0620

Proporcione la siguiente información por favor:

- Número de modelo
- Número de serie (si hay algo)
- Descripción de piezas y número mostrado en lista de piezas.



Lista de Piezas - 22UX45

Ref. No.	Descripción	Número de Piezas	Cantidad	Ref. No.	Descripción	Número de Piezas	Cantidad
1	CUERPO	***	1	10	RESORTE	PN22UX035G	2
2	PLACA DE EXTREMO CON ACCIONAMIENTO	***	1	11	PLACA DE EXTREMO SIN ACCIONAMIENTO	***	1
3	Δ CALCES	PN22UX013G	2	12	PIN(6×20)	PN22UX038G	4
4	PERNO (M6×12)	PN22UX021G	12	13	Δ RODAMIENTO(6002)	PN22UX023G	1
5	ROTOR	***	1	14	TAPA FINAL	***	1
6	Δ SELLO DE EJE	PN22UX031G	1	15	Δ JUNTA DE TAPA FINAL	PN22UX027G	1
7	Δ RODAMIENTO(6203)	PN22UX033G	1	16	LLAVE	PN22UX032G	1
8	Δ VELETA	PN22UX036G	4	17	SILENCIADOR	PN22UX039G	1
9	Δ PIN	PN22UX034G	4				

*** Partes indicadas no disponibles

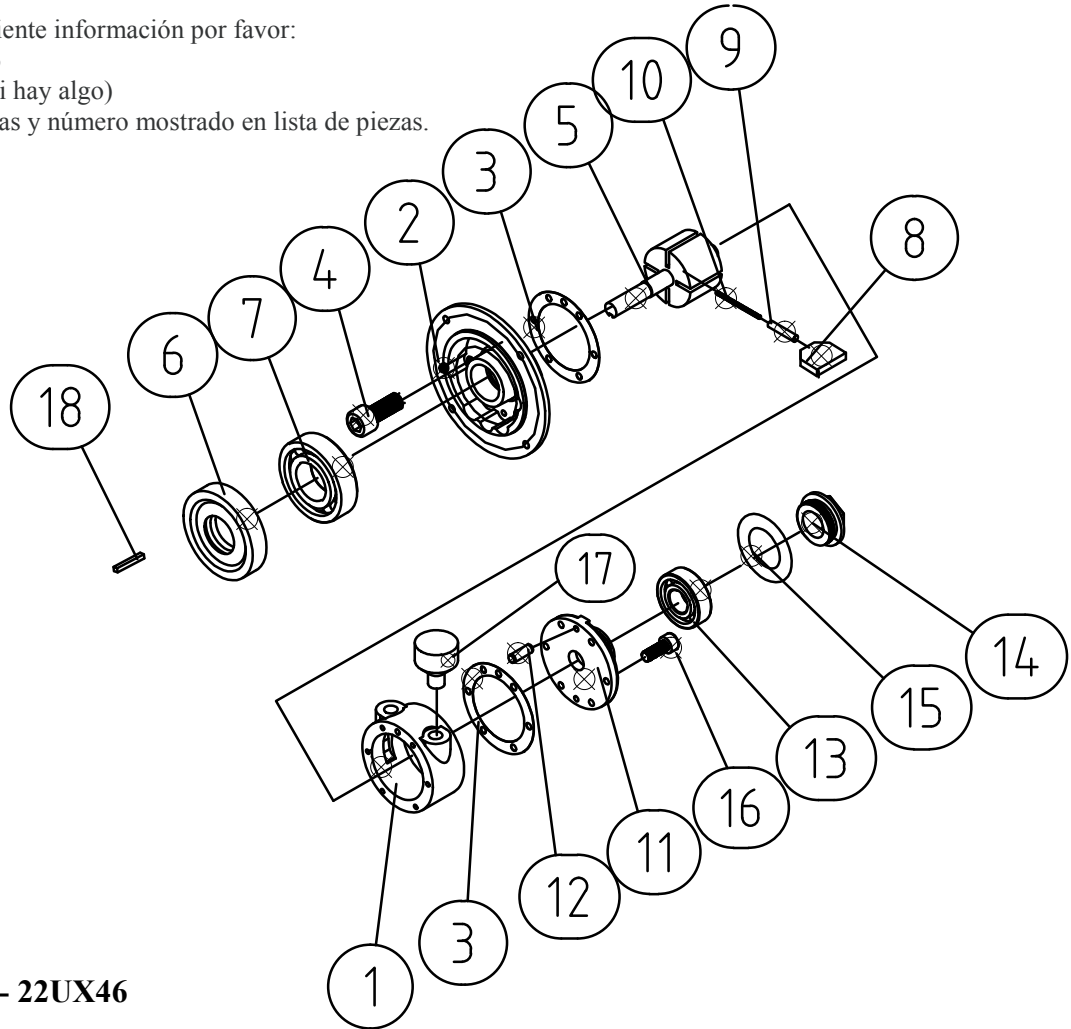
Δ Partes indicadas incluidas en el Kit de Servicio (22XJ76)

Modelo 22UX46

Para piezas de reparación, llama 1-800-323-0620

Proporcione la siguiente información por favor:

- Número de modelo
- Número de serie (si hay algo)
- Descripción de piezas y número mostrado en lista de piezas.



E
S
P
A
Ñ
O
L

Lista de Piezas - 22UX46

Ref. No.	Descripción	Número de Piezas	Cantidad	Ref. No.	Descripción	Número de Piezas	Cantidad
1	CUERPO	***	1	10 Δ	RESORTE	PN22UX035G	2
2	PLACA DE EXTREMO CON ACCIONAMIENTO	***	1	11	PLACA DE EXTREMO SIN ACCIONAMIENTO	***	1
3 Δ	CALCES	PN22UX013G	2	12	PIN(6×20)	PN22UX038G	4
4	PERNO (M6×16)	PN22UX029G	6	13 Δ	RODAMIENTO(6002)	PN22UX023G	1
5	ROTOR	***	1	14	TAPA FINAL	***	1
6 Δ	SELLO DE EJE	PN22UX031G	1	15 Δ	JUNTA DE TAPA FINAL	PN22UX027G	1
7 Δ	RODAMIENTO(6203)	PN22UX033G	1	16	PERNO (M6×12)	PN22UX021G	6
8 Δ	VELETA	PN22UX036G	4	17	SILENCIADOR	PN22UX028G	1
9 Δ	PIN	PN22UX034G	4	18	LLAVE	PN22UX032G	1

*** Partes indicadas no disponibles

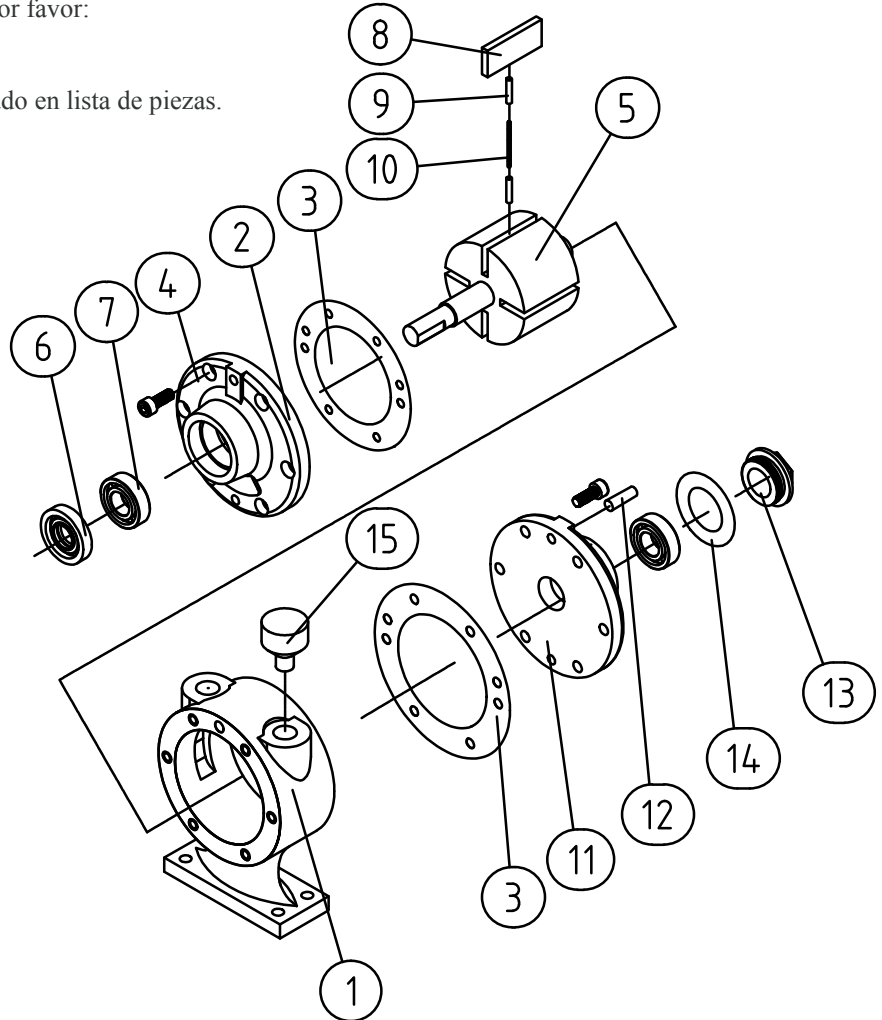
Δ Partes indicadas incluidas en el Kit de Servicio (22XJ83)

Modelo 22UX73

Para piezas de reparación, llama 1-800-323-0620

Proporcione la siguiente información por favor:

- Número de modelo
- Número de serie (si hay algo)
- Descripción de piezas y número mostrado en lista de piezas.



Lista de Piezas- 22UX73

Ref. No.	Descripción	Número de Piezas	Cantidad	Ref. No.	Descripción	Número de Piezas	Cantidad
1	CUERPO	***	1	9 Δ	PIN	PN22UX034G	4
2	PLACA DE EXTREMO CON ACCIONAMIENTO	***	1	10 Δ	RESORTE	PN22UX035G	2
3 Δ	CALCES	PN22UX013G	2	11	PLACA DE EXTREMO SIN ACCIONAMIENTO	***	1
4	PERNO (M6×12)	PN22UX021G	12	12	PIN(6×20)	PN22UX038G	4
5	ROTOR	***	1	13	TAPA FINAL	***	1
6 Δ	SELLO DE EJE	PN22UX022G	1	14 Δ	JUNTA DE TAPA FINAL	PN22UX027G	1
7 Δ	RODAMIENTO(6002)	PN22UX023G	2	15	SILENCIADOR	PN22UX028G	1
8 Δ	VELETA	PN22UX036G	4				

*** Partes indicadas no disponibles

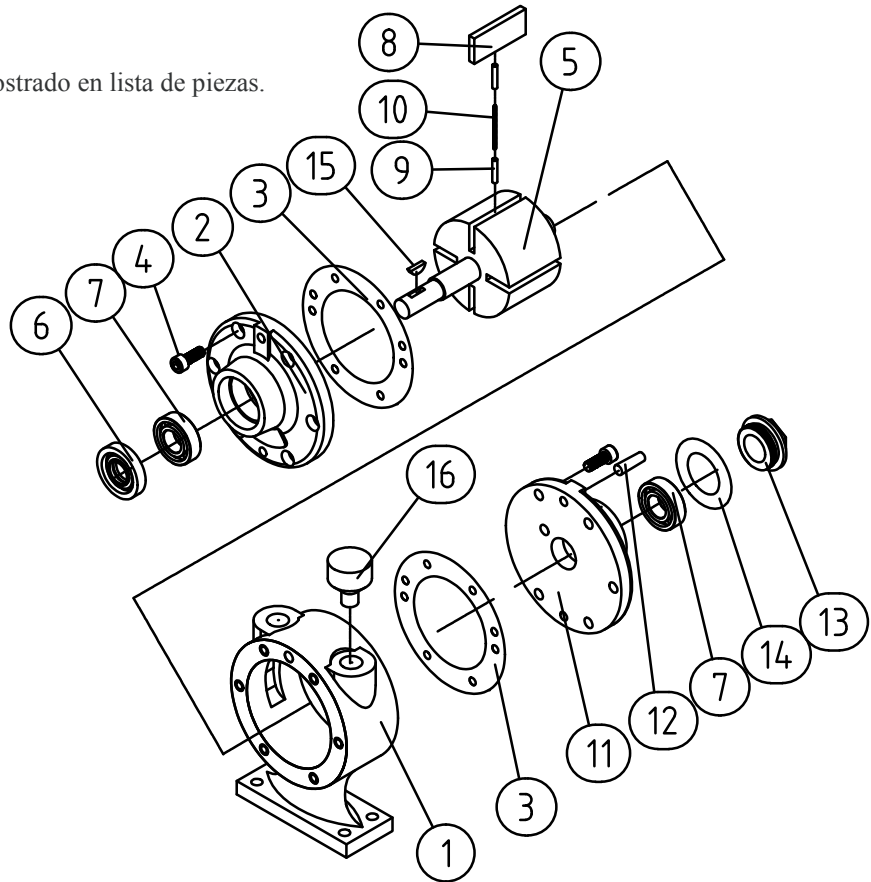
Δ Partes indicadas incluidas en el Kit de Servicio (22XJ93)

Modelo 22UX74

Para piezas de reparación, llama 1-800-323-0620

Proporcione la siguiente información por favor:

- Número de modelo
- Número de serie (si hay algo)
- Descripción de piezas y número mostrado en lista de piezas.



Lista de Piezas - 22UX74

Ref. No.	Descripción	Número de Piezas	Cantidad	Ref. No.	Descripción	Número de Piezas	Cantidad
1	CUERPO	***	1	9 Δ	PIN	PN22UX034G	4
2	PLACA DE EXTREMO CON ACCIONAMIENTO	***	1	10 Δ	RESORTE	PN22UX035G	2
3 Δ	CALCES	PN22UX013G	2	11	PLACA DE EXTREMO SIN ACCIONAMIENTO	***	1
4	PERNO (M6×12)	PN22UX021G	12	12	PIN(6×20)	PN22UX038G	4
5	ROTOR	***	1	13	TAPA FINAL	***	1
6 Δ	SELLO DE EJE	PN22UX022G	1	14 Δ	JUNTA DE TAPA FINAL	PN22UX027G	1
7 Δ	RODAMIENTO(6002)	PN22UX023G	2	15	LLAVE	PN22UX140G	1
8 Δ	VELETA	PN22UX036G	4	16	SILENCIADOR	PN22UX028G	1

*** Partes indicadas no disponibles

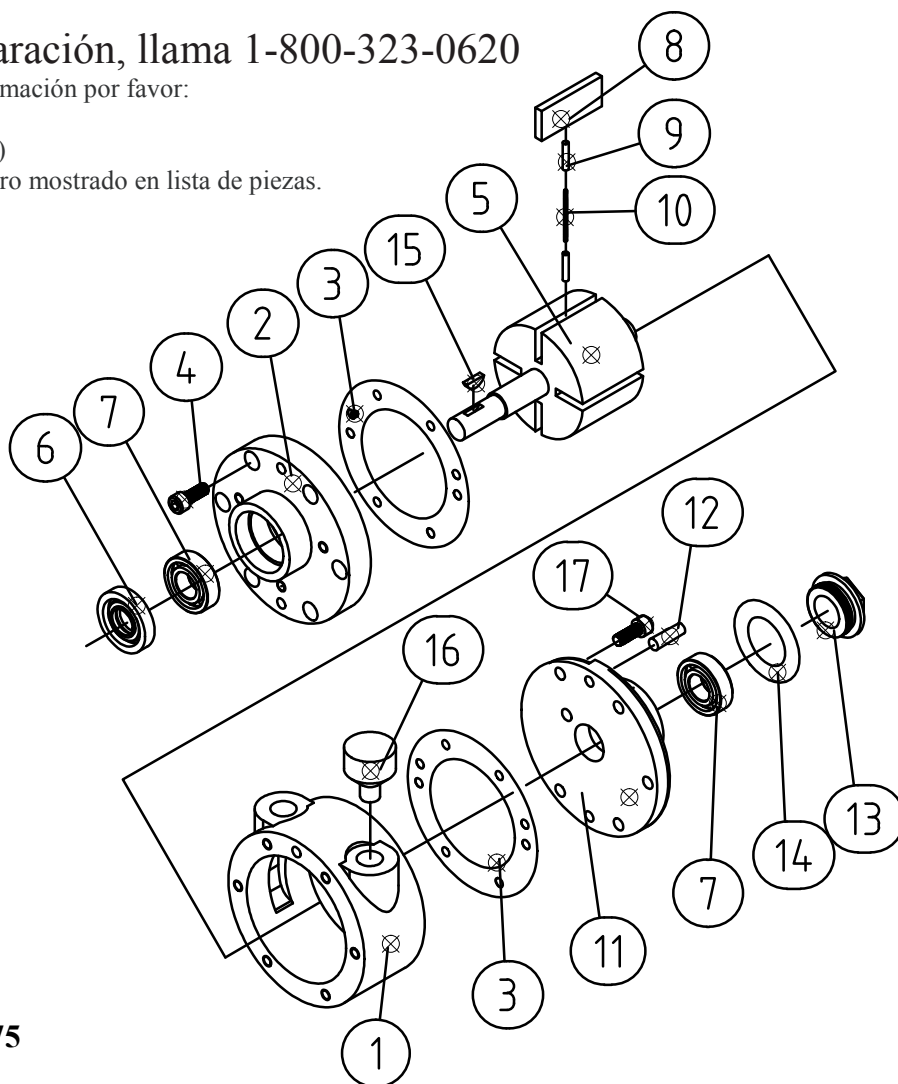
Δ Partes indicadas incluidas en el Kit de Servicio (22XJ94)

Modelo 22UX75

Para piezas de reparación, llama 1-800-323-0620

Proporcione la siguiente información por favor:

- Número de modelo
- Número de serie (si hay algo)
- Descripción de piezas y número mostrado en lista de piezas.



Lista de Piezas - 22UX75

Ref. No.	Descripción	Número de Piezas	Cantidad	Ref. No.	Descripción	Número de Piezas	Cantidad
1	CUERPO	***	1	10	Δ RESORTE	PN22UX035G	2
2	PLACA DE EXTREMO CON ACCIONAMIENTO	***	1	11	PLACA DE EXTREMO SIN ACCIONAMIENTO	***	1
3	Δ CALCES	PN22UX013G	2	12	PIN(6×20)	PN22UX038G	4
4	PERNO (M6×16)	PN22UX029G	6	13	TAPA FINAL	***	1
5	ROTOR	***	1	14	Δ JUNTA DE TAPA FINAL	PN22UX027G	1
6	Δ SELLO DE EJE	PN22UX022G	1	15	LLAVE	PN22UX140G	1
7	Δ RODAMIENTO(6002)	PN22UX023G	2	16	SILENCIADOR	PN22UX028G	1
8	Δ VELETA	PN22UX036G	4	17	PERNO (M6×12)	PN22UX021G	6
9	Δ PIN	PN22UX034G	4				

*** Partes indicadas no disponibles

Δ Partes indicadas incluidas en el Kit de Servicio (22XJ95)

Speedaire® Motor de Aire de Veleta Giratoria

Tabla de Resolución de Problemas

Síntoma	Causa(s) Posible(s)	Acción Correcta
No funciona.	<ol style="list-style-type: none"> 1. Suciedad o material extraño. 2. Oxido interno. 3. Motor atascado. 4. Veletas desgastados. 5. Falla del Rodamiento. 	<ol style="list-style-type: none"> 1. Inspeccione y lave. 2. Inspeccione y lave. 3. Desmonte y limpie. 4. Inspeccione y reemplace. 5. Inspeccione y reemplace.
Funciona bien, luego se ralentiza	<ol style="list-style-type: none"> 1. Escape restringido. 2. Motor requiere limpio. 3. Fuente de aire inadecuada. 4. Fuente de aire lejos de motor. 5. El sellador es corrosión. 	<ol style="list-style-type: none"> 1. Inspeccione y repare. 2. Desmonte y limpie. 3. Compruebe los recursos del aire. 4. Ajuste los recursos del aire. 5. Inspeccione y reemplace.
Par Bajo.	<ol style="list-style-type: none"> 1. Inspeccione y reemplace. 2. Baja presión de aire. 3. Motor requiere limpieza. 4. Desgastados Rodamientos. 5. El gastado motor de aire de veleta. 6. El sellador es corrosión. 	<ol style="list-style-type: none"> 1. Desmonte y limpie. 2. Increase pressure. 3. Desmonte y limpie 4. Inspeccione y reemplace. 5. Inspeccione y reemplace. 6. Inspeccione y reemplace.
Velocidad Baja.	<ol style="list-style-type: none"> 1. Suciedad o material extraño. 2. Oxido interno. 3. Baja presión de aire. 4. Fuente de aire restringida. 5. Escape restringido. 6. Motor atascado. 7. Fuente de aire CFM inadecuada. 8. Fuente de aire lejos de motor. 9. Veletas gastadas. 	<ol style="list-style-type: none"> 1. Desmonte y limpie. 2. Inspeccione y limpie. 3. Aumenta presión. 4. Compruebe la manguera de aire. 5. Inspeccione y repare. 6. Desmonte y limpie. 7. Compruebe los recursos del aire. 8. Ajuste los recursos del aire. 9. Inspeccione y reemplace.

Modelo 22UX45, 22UX46, 22UX73 a 22UX75

GARANTÍA LIMITADA

DAYTON GARANTÍA LIMITADA DE UN AÑO. SPEEDAIRE® MOTOR DE AIRE, MODELOS CUBIERTOS EN ESTE MANUAL, TIENE UNA GARANTÍA DE DAYTON ELECTRIC MFG.CO (DAYTON) PARA EL USUARIO ORIGINAL. CONTRA DEFECTOS DE MATERIALES O FABRICACION BAJO USO NORMAL DURANTE UN AÑO DEPUES DE LA FECHA DE COMPRA. CUALQUIER PIEZA QUE SE CONSIDERA DEFECTUOSO EN MATERIAL O HECHURA Y QUE SE DEVUELTA A UN CENTRO AUTORIZADO DEL SEVICIO DE DAYTON, GASTOS DE ENVIO PREPAGADOS, SERA, COMO EL REMEDIO EXCLUSIVO, REPARADO O REEMPLAZADO A OPCION DE DAYTON. PARA LOS PRECEDIMIENTOS DE RECLAMO DE GARANTIA LIMITADA, CONSULTE "OPORTUNA" ABAJO. ESTA GARANTIA LIMITADA LE DA AL COMPRADOR DERECHOS LEGALES ESPECIFICOS QUE PUEDEN VARIAR DE JURISDICCION.

LIMITACIÓN DE LA RESPONSABILIDAD. EN LA MEDIDA PERMITIDA POR LA LEY APLICABLE, DE DAYTON RESPONSABILIDAD POR DAÑOS Y INCIDENTALES ESTAN EXPRESAMENTE EXCLUIDAS. LA RESPONSABILIDAD DE DAYTON EN TODOS LOS EVENTOS SE LIMITA Y NO PODRÁ SUPERAR EL PRECIO PAGADO.

RENUNCIA DE GARANTÍA. UN ESFUERZO DILIGENTE SE HA HECHO EN LA PROVISION DE INFORMACION SOBRE EL PRODUCTO Y ILUSTRAR EL PRODUCTO EN ESTA LITERATURA CON PRECISION, PERO DICHAS INFORMACIONES Y LAS ILUSTRACIONES SON EL ÚNICO PROPÓSITO DE IDENTIFICACIÓN, Y NO EXPRESAN NI IMPLICAN GARANTIA DE QUE LOS PRODUCTOS SEAN COMERCIAL, O SEAN ADECUADOS A UN PROPÓSITO PARTICULAR, O QUE LOS PRODUCTOS AJUSTAN NECESARIAMENTE A LAS ILUSTRACIONES O DESCRIPCIONES. EXCEPCIONES PREVISTAS. A CONTINUACION, NINGUNA GARANTIA O AFIRMACION DE HECHO, EXPRESA O IMPLICITA, DE LO ESTABLECIDO EN LA "GARANTÍA LIMITADA" ESTA HECHA O AUTORIZADA POR DAYTON.

Consejo Técnico, Recomendaciones y Responsabilidad. Sin perjuicio de cualquier práctica o tratos pasados o costumbres comerciales, las ventas no incluirán el suministro de asesoramiento o asistencia técnica o el diseño del sistema. Dayton no asume ninguna obligación o responsabilidad en razón de las recomendaciones no autorizadas, opiniones o consejos sobre la elección, instalación o uso de los productos.

Idoneidad del producto. Muchas jurisdicciones tienen códigos y reglamentos que rigen las ventas, la construcción, la instalación y / o uso de productos para ciertos propósitos, que pueden variar de los de las zonas vecinas. Si bien se trata de asegurar que los productos Dayton cumplan con dichos códigos, Dayton no puede garantizar su conformidad y no puede ser responsable de la forma de instalar o utilizar el producto. Antes de la compra y el uso de un producto, revise las aplicaciones del producto, y todos los códigos nacionales y locales aplicables y regulaciones, y asegúrese de que el producto, la instalación y el uso cumplan con ellos.

Ciertos aspectos de la denegación no se aplican a los productos de consumo, por ejemplo, (a) algunas jurisdicciones no permiten la exclusión o limitación de daños incidentales o consecuentes, de modo que la limitación o exclusión anterior no se aplique en su caso, (b) también, algunas jurisdicciones no permiten la limitación de la duración de una garantía implícita, por tanto, la limitación anterior puede no aplicarse en su caso, y (c) por ley, durante el periodo de esta garantía limitada, cualquier garantía implícita de comerciabilidad o aptitud para un propósito en particular aplicables a los productos de consumo adquiridos por los consumidores, no puede ser excluida ni rechazada.

Disposición del sistema. Se hará un esfuerzo de buena fe para corregir puntualmente, o hacer otros ajustes, con respecto a cualquier producto que resulte defectuoso dentro de la garantía limitada. Para cualquier producto con fallas dentro de la garantía limitada, escriba o llame al distribuidor donde adquirió el producto. El distribuidor le dará instrucciones adicionales. Si no puede resolver satisfactoria, escriba a Dayton a la dirección a continuación, el nombre del distribuidor, dirección, fecha y número de la factura del distribuidor y describa la naturaleza del defecto. Título y riesgo de pérdida pasan al comprador en la entrega al transportista común. Si el producto se daña durante el transporte, deberá presentar una demanda con el portador.

Fabricado por Dayton Electric Mfg Co., 100 Grainger Parkway, Lake Forest, Illinois 60045 EE.UU.

Veillez lire et conserver ces instructions.

Lire attentivement avant de monter, installer, exploiter ou entretenir le produit décrit. Protégez-vous et les autres en observant les consignes de sécurité. Le non-respect de ces instructions peut entraîner des blessures et / ou dommages à la propriété! Conservez les instructions pour référence dans la future.

Speedaire® Palette Tournante du Moteur à Air

Description

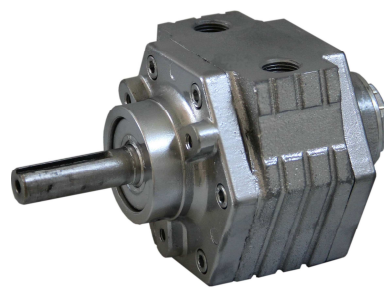
Avec l'air comprimé en tant qu'actionnement moyen, Palette Tournante du Moteur à Air a l'usage de l'expansion de l'air comprimé pour convertir l'énergie de pression en énergie mécanique. Ils peuvent être réglémentés facilement par la vitesse et de couple, et peut être arrêté et inversé très rapidement. Ils sont couramment utilisés dans de nombreux applications industrielles et étincelles interdites.

Les applications typiques sont: Platines de mixage, dispositifs de tension, hachoirs de fibre de verre, dévidoirs, monte-charge et Treuils, emballage pharmaceutique, Les emballages alimentaires, les entraînements de pompes et Entraînements de convoyeurs.

Déballage

Quand on fait le déballage, assurez-vous que le moteur d'air comprimé n'est pas affectée par des chocs violents. Vérifiez les dommages qui auraient pu survenir pendant le transport. S'il est endommagé, une réclamation doit être déposée auprès du transporteur.

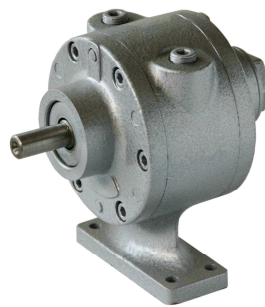
Caractéristiques



22UX45



22UX46



22UX73/74



22UX75

No Modèle	Arbre Taille (Po)	Données d'exploitation					Port Taille	Torque .Max			Rotation
		Max. RPM	Sortie HP	Torque		Consommation d'Air CFM		RPM	Torque		
				lb.po	Nm				lb.po	Nm	
22UX45	0.625	3000	1.7	36	4.1	78	3/8	300	56	6.3	REV
22UX46	0.625	3000	1.7	36	4.1	78	1/4	300	56	6.3	REV
22UX73	0.5	3000	1.7	36	4.1	78	1/4	300	56	6.3	REV
22UX74	0.5	3000	1.7	36	4.1	78	1/4	300	56	6.3	REV
22UX75	0.5	3000	1.7	36	4.1	78	1/4	300	56	6.3	REV

*La Pression d'air recommandée dans 90PSI (6.3 Bars)

Le type de montage: le montage de face pour 22UX45 et 22UX75. Le montage de la Bride-NEMA 56C pour 22UX46. Le montage de pied pour 22UX73 et 22UX74 .

Informations générales sur la sécurité

Un mauvais fonctionnement ou entretien de ce Produit, pourrait causer des blessures graves et des dégâts matériels. Veuillez lire et comprendre toutes les instructions avant d'utiliser un moteur à air.



Indique les dangers pourraient entraîner des blessures graves, la mort ou des dommages matériels importants, si elles sont ignorées.



Indique des risques qui pourraient cause des blessures mineures ou des dommages matériels si elle est ignorée.

Tous les travaux de monter, installer, exploiter, entretenir et réparer le moteur à air comprimé doit être effectuée par un personnel qualifié, et ils doivent suivre:

1. Dispositions légales spécifiques et les exigences du système moteur à air.
2. Les étiquettes d'instruction, d'avertissement et d'information sur le moteur.
3. Le courant applicable à spécifications nationales et régionales concernant protection contre les explosions, la sécurité et la prévention d'accident.

Installation



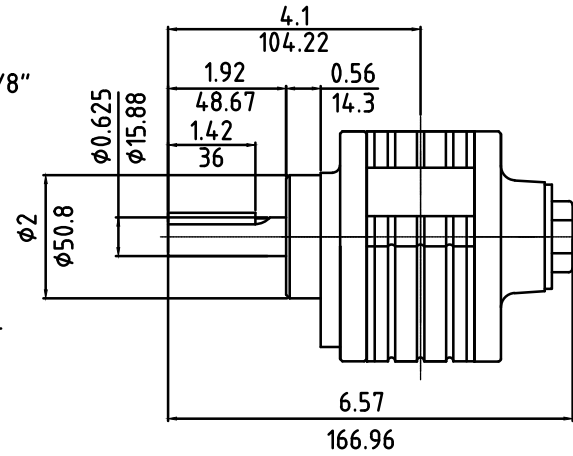
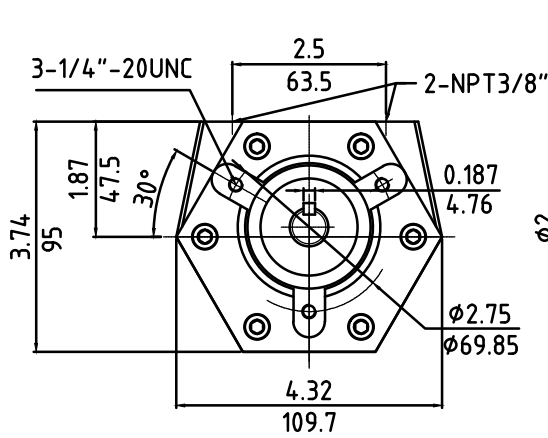
Assurez-vous de répondre à la condition de l'installation appropriée. Les protections adéquates doivent être installés autour de l'arbre de sortie en fonction des besoins. Porter des lunettes de protection lors de l'installation de ce produit. Non respect de ces instructions peut entraîner des des blessures graves ou des dommages matériels.

Speedaire® Palette Tournante du Moteur à Air

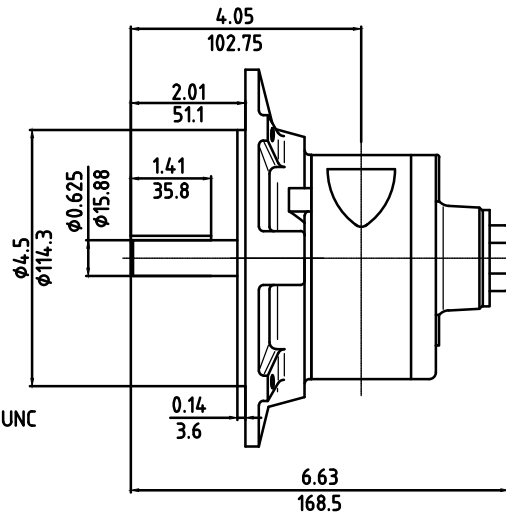
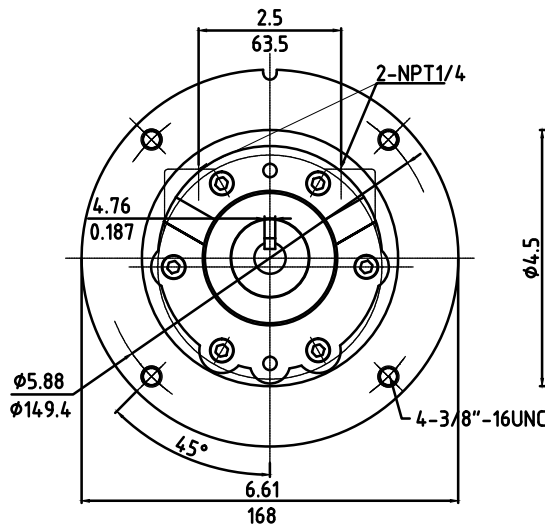
Dimensions

pouce/mm

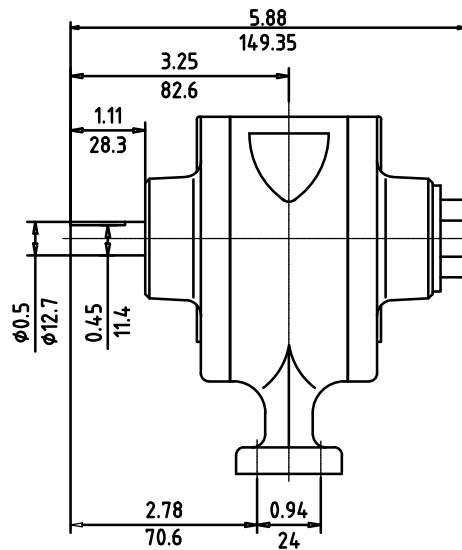
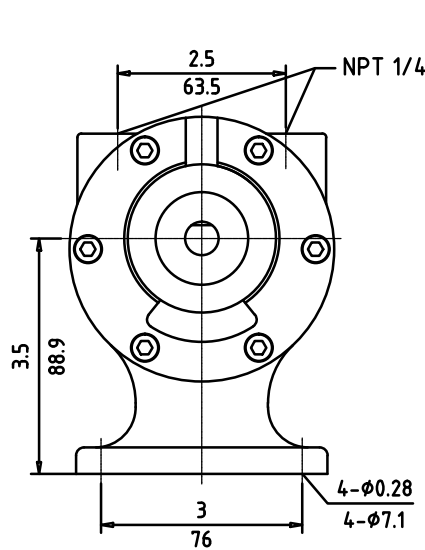
22UX45



22UX46



22UX73

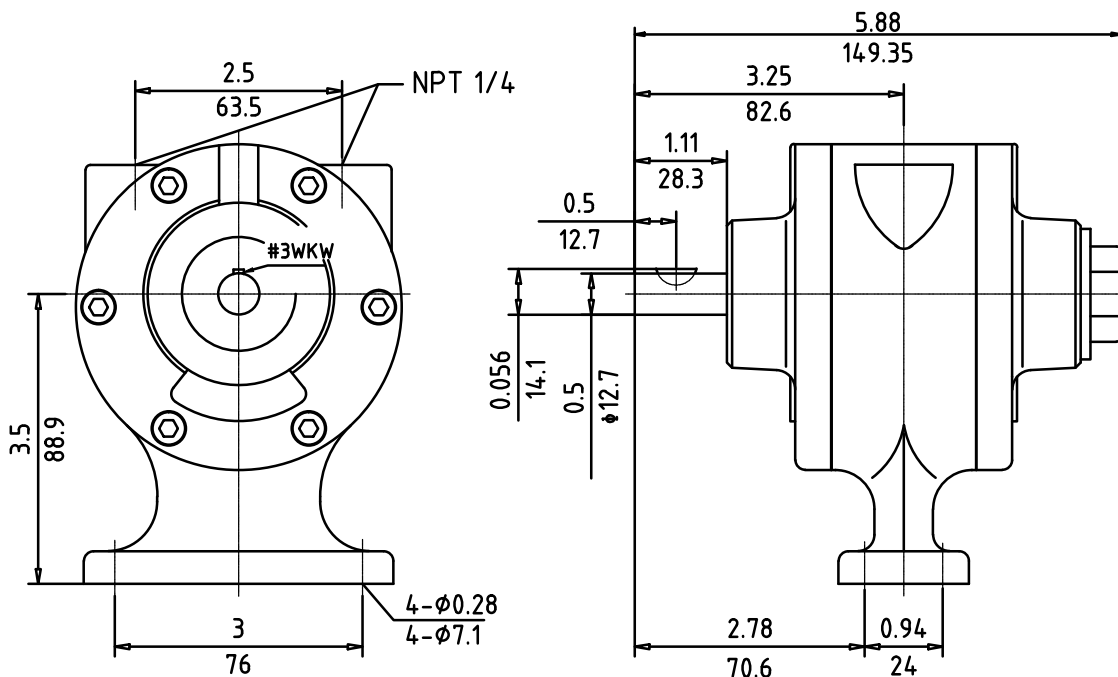


Speedaire[®] Palette Tournante du Moteur à Air

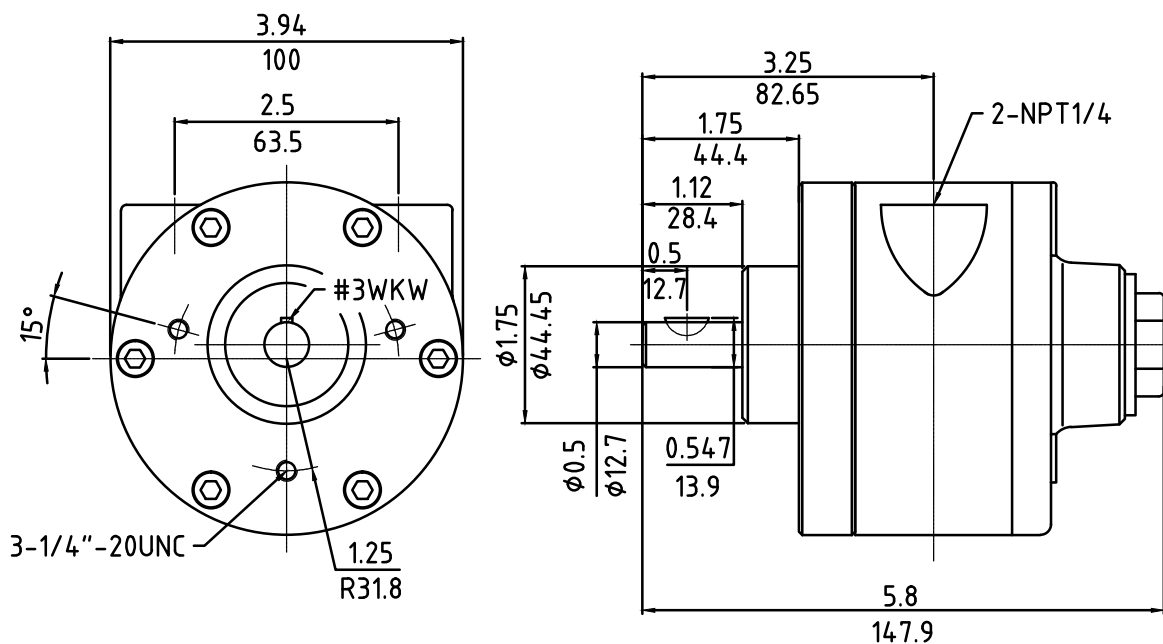
Dimensions

pouce/mm

22UX74



22UX75



Speedaire[®] Palette Tournante du Moteur à Air

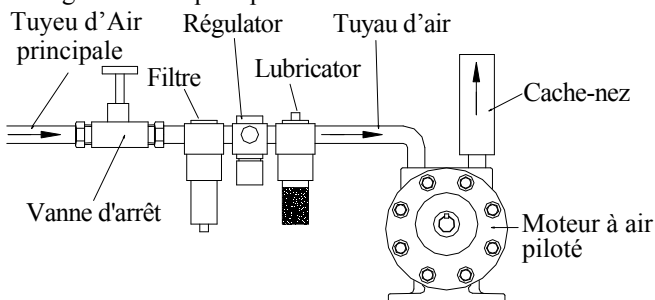
Utilisation du Motor à air dans les milieux dangereux (classés)

À ce jour, il n'existe pas de normes connues régissant le fonctionnement des moteurs à air dans des milieux dangereux de classes I et II (Classés) comme ceux qui existent et qui sont définis par Underwriters Laboratories Inc. (UL) pour les appareils de moteurs électriques. En tant que tel, Veuillez noter les points suivants:

Moteur à air comprimé n'est en général pas d'une source d'étincelles. Cependant, il est possible de créer une étincelle externe si quelque chose bute contre le boîtier de moteur ou de l'arbre d'air (par exemple, une clé, un marteau, etc). Une enceinte de boîtier moteur à air n'est pas conçu pour contenir une explosion interne comme c'est le cas avec UL Certifié G Situation dangereuse Moteurs électriques. La source d'inflammation possible d'une atmosphère dangereuse à l'intérieur d'un moteur à air. Ce serait le résultat d'un contact entre le boîtier fixe et les parties tournantes. Bien que très improbable, une explosion interne d'une atmosphère dangereuse à l'intérieur d'un moteur à air est possible. Enfin, pour assurer le fonctionnement sécuritaire d'un moteur pneumatique à une application de zone dangereuse, suivre toujours les instructions d'informations de sécurité, d'installation, d'exploitation et de maintenance fournis ici. Le plus important: Avant d'installer et d'utiliser un moteur de l'air dans un endroit dangereux, toujours consulter un qualifié ingénieur, les responsables locaux et votre représentant en assurance de support pour une décision définitive d'un environnement d'exploitation sécuritaire.

Montage et Raccordement

Le moteur doit être installé sur une plaque de base en métal solide, qui est installé sur une surface de fonctionnement stable et solide. Un absorbeur de choc est nécessaire de réduire le bruit et vibration. Une soupape d'arrêt simple ou d'un régulateur de pression, est également requise pour contrôler le moteur.



Système du moteur à air

Vérifiez la direction du flux d'air du moteur. Un moteur de rotation simple ne convient que pour fonctionnement dans une direction. Un cache-nez est requis pour être connectée à la sortie d'air des moteurs à simple rotation. Contrairement au moteur de rotation simple, le moteur réversible fonctionnera aussi bien dans les deux sens. Connectez une vanne à 4 voies avec la tuyauterie pour les deux ports d'air du moteur pour faire marche arrière possible. Connecter l'absorbant acoustique sur la connexion de port d'échappement d'air. Retirez les bouchons d'expédition des ports et de les enregistrer pour une utilisation ultérieure lors de l'arrêt. Avant de raccorder le moteur, un filtre d'air est nécessaire pour être installé dans la conduite d'air. Un régulateur de pression d'air pour contrôler le couple du

moteur et un contrôle de vanne de flux (arrêt) pour commander la vitesse du moteur est également nécessaire.

Installez un lubrificateur d'air automatique à la conduite d'air dans 18 pouces (0.5 mètres) ou le plus près possible au moteur pneumatique. Le graisseur doit être installé en amont du moteur pneumatique de telle sorte que le brouillard d'huile est insufflé directement dans le moteur. Assurez-vous que le graisseur est toujours rempli d'huile.

Avant de connecter les ports, nettoyez les connexions de l'air à basse pression pour enlever toute saleté ou débris.

Toujours utiliser des lignes aériennes qui sont de la même taille, ou plus, que l'orifice d'entrée d'air moteur (se reporter à la taille du port dans le tableau des spécifications).

CAUTION

Lors des connexions, vous ne devriez pas ajouter de poussée à la fin ou le côté de l'arbre.

Ne pas utiliser un marteau sur la tige ou les connexions.

Accessoires

Un cache-nez est emballé dans la boîte avec le moteur à air, mais n'est pas installé. Un séparateur d'eau et 5 microns filtre dans l'conduite d'air avant de moteur est recommandé (non fourni avec le produit et doit être acheté séparément).

WARNING

Flux de air à partir de ce produit peut contenir un matériau solide ou liquide qui peut nuire aux yeux ou des lésions cutanées.

Speedaire[®] Palette Tournante du Moteur à Air

Opération

Prenez note et suivez les conditions ci-dessous:

1. la pression d'opération devrait être 100PSI/7 Bars ou plus basse.
2. La plage de fonctionnement de la température ambiante pour le fonctionnement normal est de 32 °F (0 °C) à 250 °F (120 °C).
3. La plage de fonctionnement de la température ambiante dans les environnements dangereux est de 32 °F (0 °C) à 104 °F (40 °C).
4. Protéger l'appareil de la saleté et de l'humidité.
5. Utiliser UNIQUEMENT le moteur à air piloté.
6. Les conduites d'air reliés au moteur devrait être la même taille ou de la taille plus grande que l'orifice, de sortie efficace et la commande de vitesse.
7. Protéger les éléments environnants de l'air vicié.
8. Roulements blindés sont emballés de graisse, pas de lubrification requise.
9. Alimentation en air, la soupape de contrôle directionnel et le régulateur de pression doivent être choisis en fonction de la consommation de l'air du moteur.
10. Arrêter le moteur à l'air pendant environ 15 à 30 minutes toutes les 8 heures de fonctionnement pour le refroidissement.

REMARQUE: NE faites pas le moteur à la grande vitesse sans charge.



Risque de blessures
Porter des lunettes de protection
lors de l'utilisation de ce moteur.

Les gaz combustibles ne peuvent pas être utilisés pour piloter ce moteur. Porter une protection auditive dû au bruit du moteur peut dépasser 85 dB (A).
Le non-respect de ces instructions peut nuire aux yeux, blessures ou d'autres blessures graves.



Assurez-vous que toutes les les connexions sont correctement avant de démarrer le moteur.

Utiliser ce produit à des vitesses recommandées, les charges et la température ambiante de l'environnement. Ne pas faire tourner le moteur à des vitesses élevée sans charge.

Le couple de démarrage est inférieur au couple de rotation, et varie de la position des palettes. Utilisez un régulateur de pression pour contrôler le couple et /ou la soupape de commande pour contrôler la vitesse du moteur. Il fournira la puissance nécessaire et permettra de conserver l'air. Ouvrir la vanne d'alimentation en air vers le moteur et régler la pression ou le débit à la vitesse. Réglez le graisseur à alimenter une goutte d'huile pour chaque 20-30 CFM (1 Goutte

par mn) d'air a travers du moteur. Vérifier le niveau d'huile tous les jours. La température ne doit pas dépasser 275°F (135°C).

Maintenance



Risque de blessures
Coupez l'alimentation en air et purger toutes les conduites d'air

avant de commencer tout activité de maintenance.

Portez des lunettes de protection lors du lavage de ce produit. Laver dans un endroit bien ventilé.

Kérosène ou d'autres solvants combustibles ne doivent pas être utilisés pour laver ce moteur.

Le non-respect de ces instructions peut entraîner des lésions oculaires ou d'autres blessures graves.

Il est de la responsabilité de l'utilisateur final à des inspections régulières et faire les réparations nécessaires pour maintenir le bon fonctionnement de ce produit.

Lubrification

La lubrification est une nécessité pour éviter la rouille sur toutes les pièces mobiles.

1. Arrêtez le moteur à air toutes les 8 heures de fonctionnement.
 - a. En manuel, ajouter 15 gouttes d'huile à l'orifice d'entrée d'air moteur.
 - b. Pour graisseur, ajouter 1 goutte par minute pour chaque 25 CFM. Ne pas ajouter trop d'huile pour éviter la contamination de l'air épuisé.
2. Vérifiez admission et d'échappement filtres après 500 premières heures de fonctionnement. Nettoyer les filtres et déterminer la fréquence de filtres doivent être vérifiés au cours de l'opération. Ce procédé a l'avantage d'assurer bonne performance et la durée de vie du moteur.
3. Choisissez LA SAE # 10 AIR D'OUTIL D'HUILE ou équivalent pour lubrifier le moteur d'air comprimé.

Lavage

Lavez l'extérieur du moteur d'air en enlevant la saleté excessive, les particules étrangères et de l'humidité ou de l'huile qui se produit pendant le fonctionnement normal. Le dissolvant recommandé pour le nettoyage de l'extérieur du moteur d'air comprimé est SKU # 6WB63 des dissolvants de Grainger ou équivalent. Lisez le manuel d'utilisateur de nettoyeur avant d'utiliser le dissolvant. N'utilisez pas le kérosène ou tous les autres dissolvants combustibles pour laver le moteur. Les étapes du lavage sont :

1. Coupez l'alimentation en air et la conduite d'air. Retirez le cache-nez.

Speedaire[®] Palette Tournante du Moteur à Air

- Ajoutez le dissolvant de lavage de 6WB63 directement dans le moteur. La pulvérisation pendant environ 5-10 secondes dans l'orifice d'entrée si vous utilisez le dissolvant de pulvérisation.
- Faire tourner l'arbre à la main pendant quelques minutes dans les deux sens. **PORTER DES LUNETTES DE PROTECTION.**
- Utilisez un chiffon pour couvrir échappement et reconnectez la conduite d'air.
- Ensuite, redémarrer le moteur à une faible pression d'environ 10 PSI/0.7 Bar jusqu'à ce qu'il n'y a aucune trace de solvant dans l'évacuation de l'air.
- Écoutez les modifications de la sonorité du moteur. Le lavage est terminé si cela semble lisse. S'il ne semble pas lisse, la réparation et l'entretien sont nécessaires.
- Lubrifier le moteur avant de remettre en usage normale.

WARNING

Assurez-vous de débrancher les conduits conduites d'air avant de s'éteindre le moteur à air.

Portez des lunettes de protection. Tenir à l'écart de flux d'air. Vérifier tous les accessoires externes en bon état avant l'opération.

Trousse de Service de L'installation

La trousse d'entretien contient des aubes, joint d'arbre, le roulement et cales etc.

Reportez-vous à réparer les pages respectifs des parts dans ce manuel pour les numéros de kit des réparations du moteur d'air.

Démontage et la Reconstruction:

- Utilisez la clé de taille appropriée pour enlever soigneusement le capuchon d'extrémité à partir du moteur avec un couple d'environ 25 ft-lb. Ensuite, retirer le joint capuchon d'extrémité. Voir fig. 1, fig. 3, fig. 5.
- Retirez les boulons de la plaque d'extrémité avec pilote avec un couple d'environ 3.3 ft-lb.
- Retirez la plaque d'extrémité avec pilote. Voir fig. 1, fig. 3, fig. 5.
- Retirez les boulons de la plaque d'extrémité sans pilote avec un couple d'environ 3.3 ft-lb .
- Retirez le corps et les palettes. Voir fig. 2, fig. 4, fig. 6.

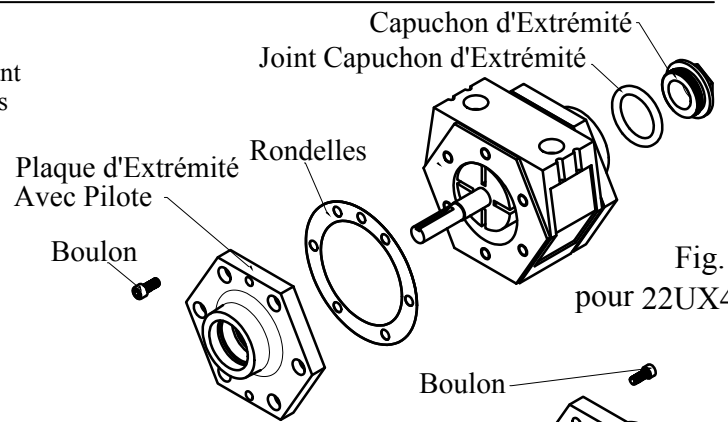


Fig. 1
pour 22UX45

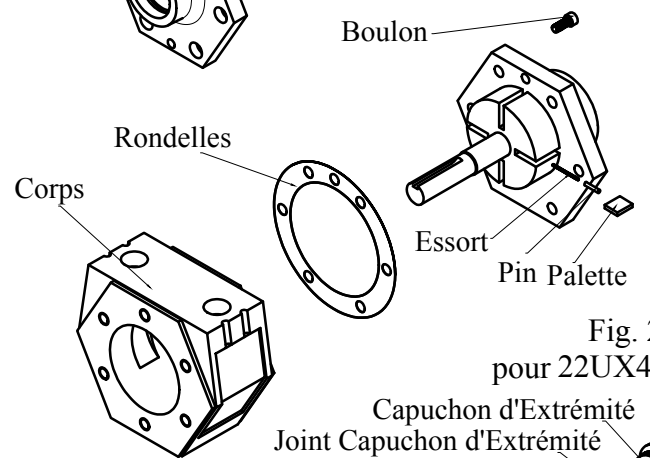


Fig. 2
pour 22UX45

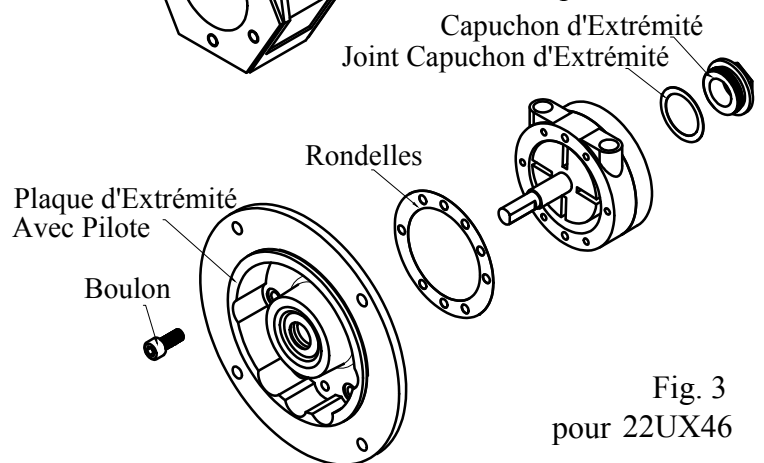


Fig. 3
pour 22UX46

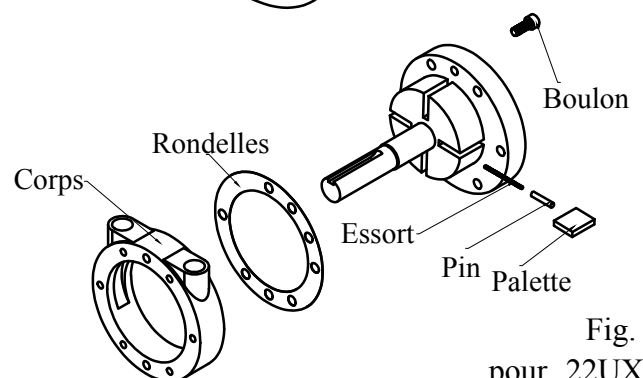


Fig. 4
pour 22UX46

Speedaire® Palette Tournante du Moteur à Air

6. Retirez le rotor et la plaque d'extrémité sans pilote. Voir fig. 7.
7. Utilisez une presse pour presser les roulements. Voir fig. 8.
8. Nettoyez soigneusement les pièces du moteur et vérifiez toutes les parties principales comme palettes, roulements, etc pour assurer toutes les pièces soient en bon état.

REMARQUE: La palette est un élément clé qui s'usera après la longue durée. Elle est facultative pour remplacer certains ou toutes les pièces dues à l'usure conditions. Il est recommandé pour remplacer toutes les pièces incluses dans le trousse service pack.

9. Ajoutez 1-3 gouttes de la SAE # 10 huile d'outil d'air ou l'équivalence sur la surface des pièces avant le remontage.
10. Mettez palettes en rotor puis les insérer dans le corps.
11. Remplacer les plaques d'extrémité et filetage dans la plaque d'extrémité avec la pilote avec un couple d'environ 3.3 ft-lb.
12. Serrer le capuchon d'extrémité avec une force d'environ 25 ft-lb.

REMARQUE: Vérifiez le rotor avant de se tourner à nouveau fermement sur l'embout. Tapotez LÉGÈREMENT l'arbre du rotor ou des plaques d'extrémité avec un maillet pour s'assurer que les pièces correspondant bien.

La vie estimée des roulements		
No de Modèle	Vitesse d'opération (RPM)	Estimation des heures de vie de roulement
22UX45, 22UX46,22UX73, 22UX74,22UX75	3,000	14,000

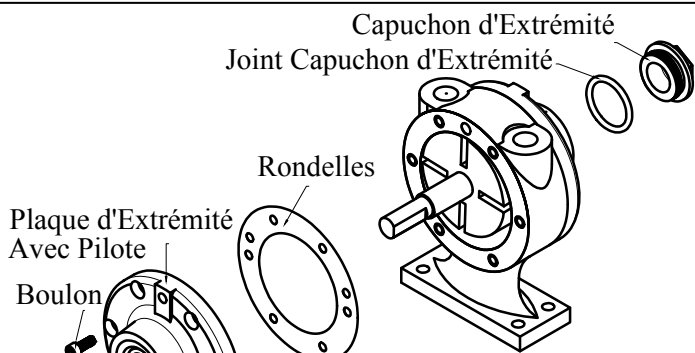


Fig. 5 pour 22UX73/74/75

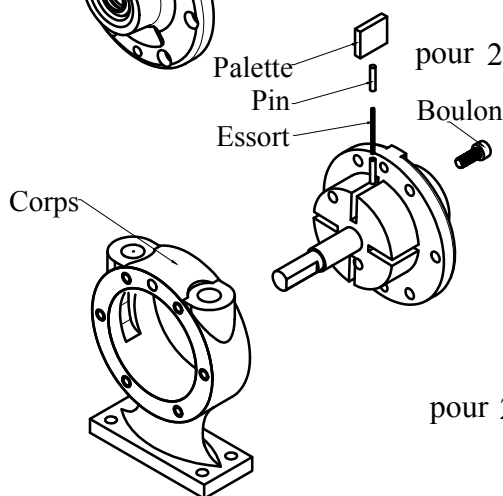


Fig. 6 pour 22UX73/74/75

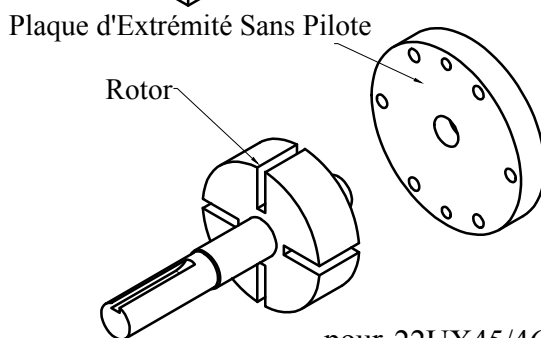


Fig. 7 pour 22UX45/46/73/74/75

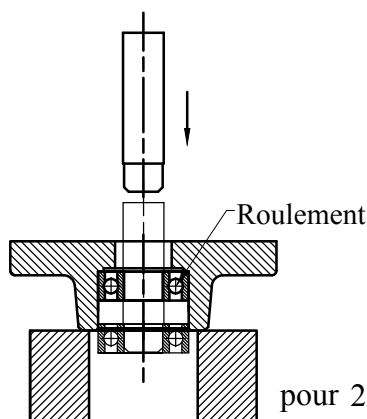


Fig. 8 pour 22UX45/46/73/74/75

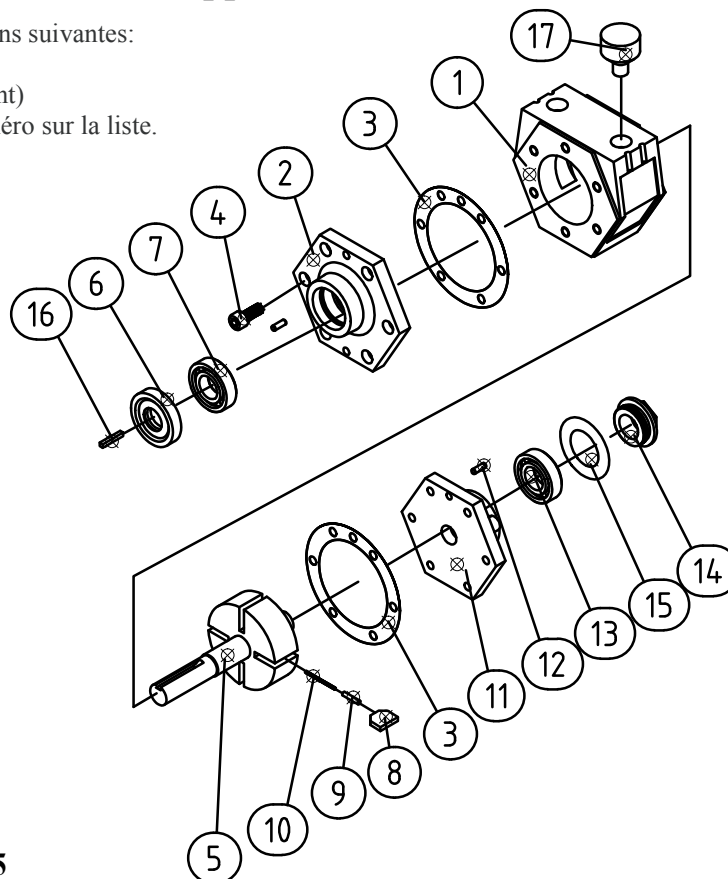
FRANCAIS

Modèle 22UX45

Pour Pièces de remplacement, appeler 1-800-323-0620

Merci de fournir des informations suivantes:

- Numéro de modèle
- Numéro de série (le cas échéant)
- Description de la pièce et numéro sur la liste.



Liste des pièces - 22UX45

No de Réf.	Description	No de pièce	Quantité	No de Réf.	Description	No de pièce	Quantité
1	CORPS	***	1	10	ESSORT	PN22UX035G	2
2	PLAQUE D'EXTRÉMITÉ AVEC PILOTE	***	1	11	PLAQUE D'EXTRÉMITÉ SANS PILOTE	***	1
3	Δ CALES	PN22UX013G	2	12	PIN(6×20)	PN22UX038G	4
4	BOULON (M6×12)	PN22UX021G	12	13	Δ ROULEMENT(6002)	PN22UX023G	1
5	ROTOR	***	1	14	CAPUCHON D'EXTRÉMITÉ	***	1
6	Δ JOINT D'ARBRE	PN22UX031G	1	15	Δ JOINT CAPUCHON D'EXTRÉMITÉ	PN22UX027G	1
7	Δ ROULEMENT(6203)	PN22UX033G	1	16	CLÉ	PN22UX032G	1
8	Δ PALETTE	PN22UX036G	4	17	CACHE-NEZ	PN22UX039G	1
9	Δ PIN	PN22UX034G	4				

*** Indique pièces non disponibles

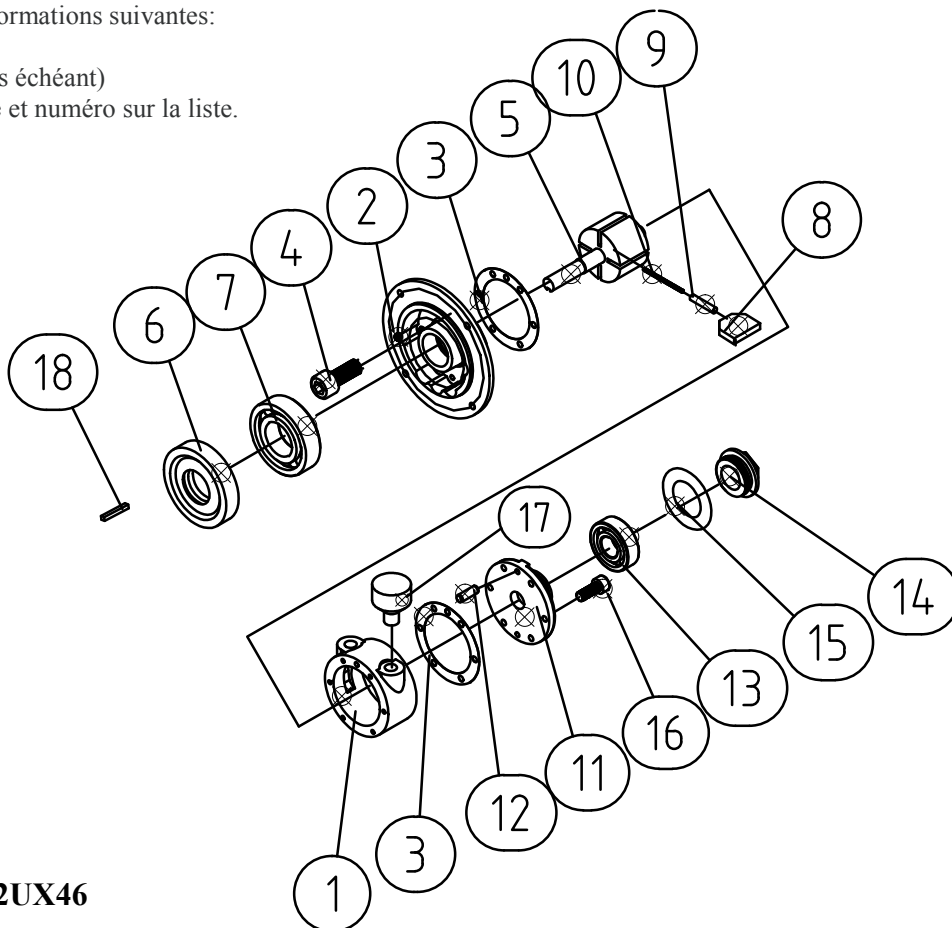
Δ Indique des pièces comprises dans la trousse d'entretien (22XJ76)

Modèle 22UX46

Pour Pièces de remplacement, appeler 1-800-323-0620

Merci de fournir des informations suivantes:

- Numéro de modèle
- Numéro de série (le cas échéant)
- Description de la pièce et numéro sur la liste.



Liste des pièces - 22UX46

No de Réf.	Description	No de pièce	Quantité	No de Réf.	Description	No de pièce	Quantité
1	CORPS	***	1	10	Δ ESSORT	PN22UX035G	2
2	PLAQUE D'EXTRÉMITÉ AVEC PILOTE	***	1	11	PLAQUE D'EXTRÉMITÉ SANS PILOTE	***	1
3	Δ CALES	PN22UX013G	2	12	PIN(6×20)	PN22UX038G	4
4	BOULON (M6×16)	PN22UX029G	6	13	Δ ROULEMENT(6002)	PN22UX023G	1
5	ROTOR	***	1	14	CAPUCHON D'EXTRÉMITÉ	***	1
6	Δ JOINT D' ARBRE	PN22UX031G	1	15	Δ JOINT CAPUCHON D'EXTRÉMITÉ	PN22UX027G	1
7	Δ ROULEMENT(6203)	PN22UX033G	1	16	BOULON(M6×12)	PN22UX021G	6
8	Δ PALETTE	PN22UX036G	4	17	CACHE-NEZ	PN22UX028G	1
9	Δ PIN	PN22UX034G	4	18	CLÉ	PN22UX032G	1

*** Indique pièces non disponibles

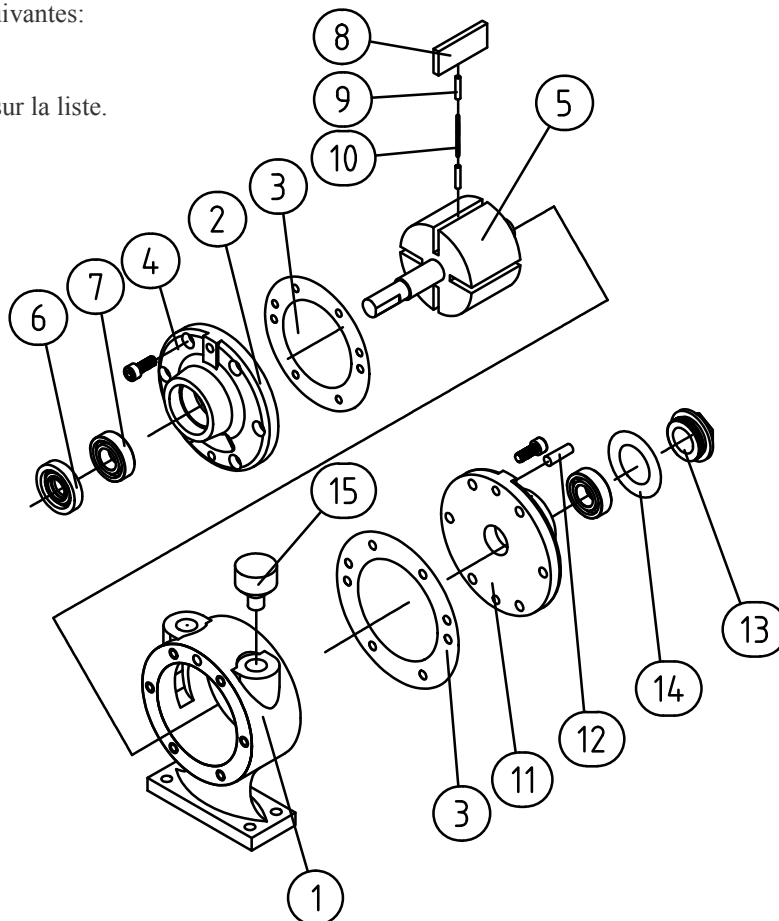
Δ Indique des pièces comprises dans la trousse d'entretien (22XJ83)

Modèle 22UX73

Pour Pièces de remplacement, appeler 1-800-323-0620

Merci de fournir des informations suivantes:

- Numéro de modèle
- Numéro de série (le cas échéant)
- Description de la pièce et numéro sur la liste.



Liste des pièces - 22UX73

No de Réf.	Description	No de pièce	Quantité	No de Réf.	Description	No de pièce	Quantité
1	CORPS	***	1	9 Δ	PIN	PN22UX034G	4
2	PLAQUE D'EXTRÉMITÉ AVEC PILOTE	***	1	10 Δ	ESSORT	PN22UX035G	2
3 Δ	CALES	PN22UX013G	2	11	PLAQUE D'EXTRÉMITÉ SANS PILOTE	***	1
4	BOULON(M6×12)	PN22UX021G	12	12	PIN(6×20)	PN22UX038G	4
5	ROTOR	***	1	13	CAPUCHON	***	1
6 Δ	JOINT D' ARBRE	PN22UX022G	1	14 Δ	JOINT CAPUCHON D'EXTRÉMITÉ	PN22UX027G	1
7 Δ	ROULEMENT(6002)	PN22UX023G	2	15	CACHE-NEZ	PN22UX028G	1
8 Δ	PALETTE	PN22UX036G	4				

*** Indique pièces non disponibles

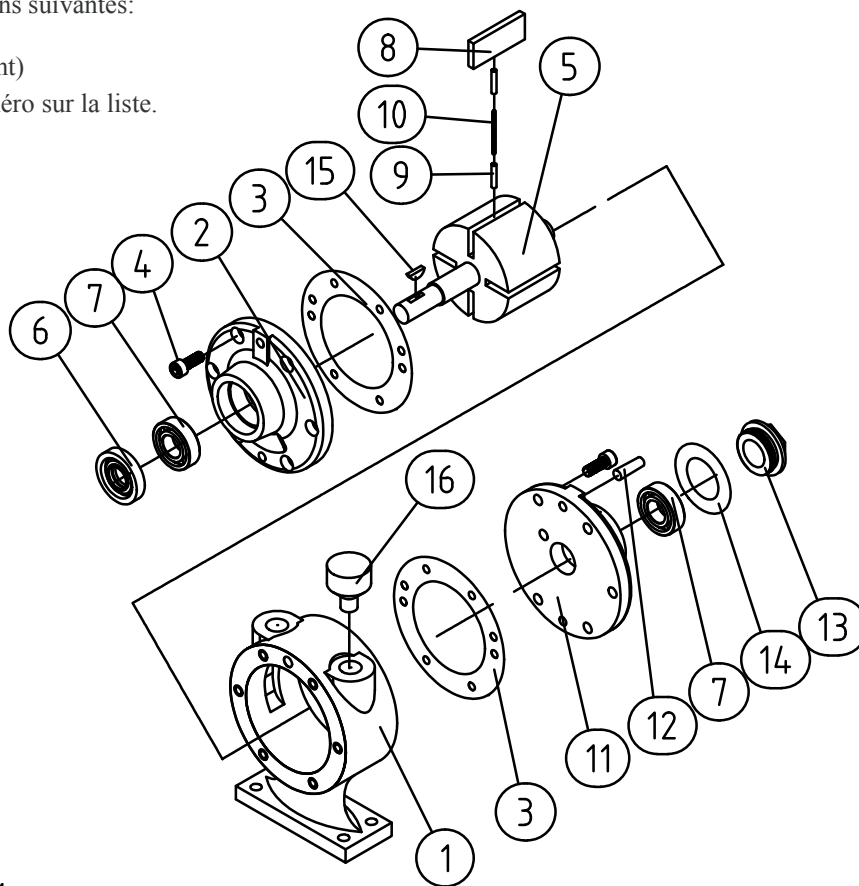
Δ Indique des pièces comprises dans la trousse d'entretien (22XJ93)

Modèle 22UX74

Pour Pièces de remplacement, appeler 1-800-323-0620

Merci de fournir des informations suivantes:

- Numéro de modèle
- Numéro de série (le cas échéant)
- Description de la pièce et numéro sur la liste.



Liste des pièces - 22UX74

No de Réf.	Description	No de pièce	Quantité	No de Réf.	Description	No de pièce	Quantité
1	CORPS	***	1	9 Δ	PIN	PN22UX034G	4
2	PLAQUE D'EXTRÉMITÉ AVEC PILOTE	***	1	10 Δ	ESSORT	PN22UX035G	2
3 Δ	CALES	PN22UX013G	2	11	PLAQUE D'EXTRÉMITÉ SANS PILOTE	***	1
4	BOULON(M6×12)	PN22UX021G	12	12	PIN(6×20)	PN22UX038G	4
5	ROTOR	***	1	13	CAPUCHON	***	1
6 Δ	JOINT D' ARBRE	PN22UX022G	1	14 Δ	JOINT CAPUCHON D'EXTRÉMITÉ	PN22UX027G	1
7 Δ	ROULEMENT(6002)	PN22UX023G	2	15	CLÉ	PN22UX140G	1
8 Δ	PALETTE	PN22UX036G	4	16	CACHE-NEZ	PN22UX028G	1

*** Indique pièces non disponibles

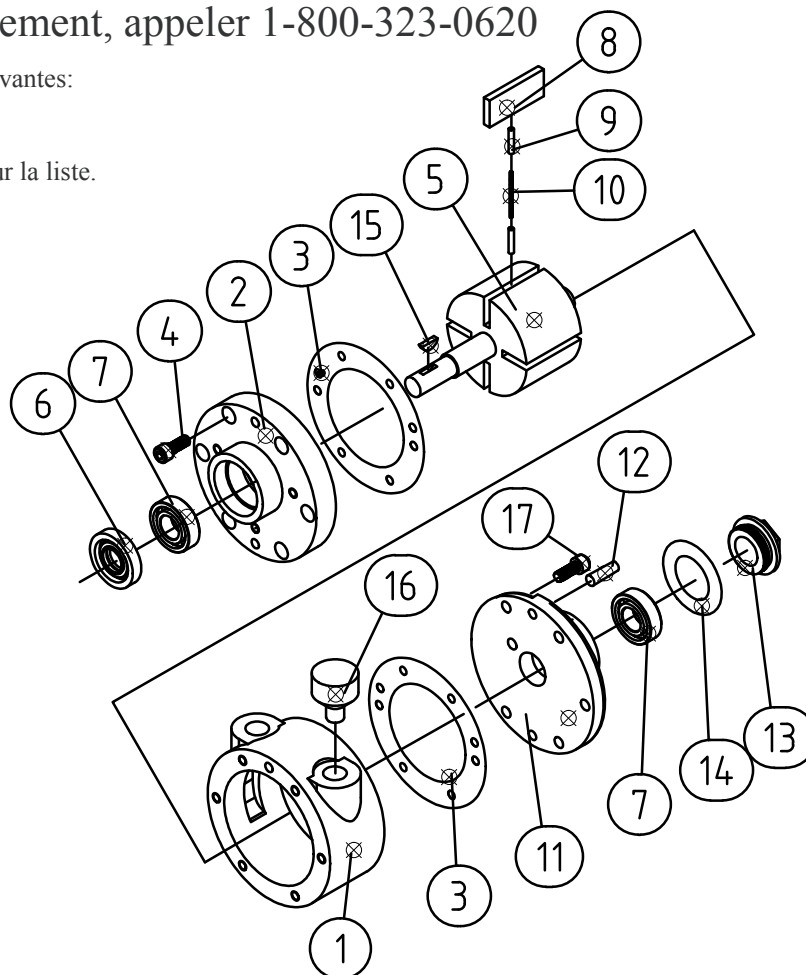
Δ Indique des pièces comprises dans la trousse d'entretien (22XJ94)

Modèle 22UX75

Pour Pièces de remplacement, appeler 1-800-323-0620

Merci de fournir des informations suivantes:

- Numéro de modèle
- Numéro de série (le cas échéant)
- Description de la pièce et numéro sur la liste.



Liste des pièces - 22UX75

No de Réf.	Description	No de pièce	Quantité	No de Réf.	Description	No de pièce	Quantité
1	CORPS	***	1	10	Δ ESSORT	PN22UX035G	2
2	PLAQUE D'EXTRÉMITÉ AVEC PILOTE	***	1	11	PLAQUE D'EXTRÉMITÉ SANS PILOTE	***	1
3	Δ CALES	PN22UX013G	2	12	PIN(6×20)	PN22UX038G	4
4	BOULON (M6×16)	PN22UX029G	6	13	CAPUCHON D'EXTRÉMITÉ	***	1
5	ROTOR	***	1	14	Δ JOINT CAPUCHON D'EXTRÉMITÉ	PN22UX027G	1
6	Δ JOINT D' ARBRE	PN22UX022G	1	15	CLÉ	PN22UX140G	1
7	Δ ROULEMENT(6002)	PN22UX023G	2	16	CACHE-NEZ	PN22UX028G	1
8	Δ PALETTE	PN22UX036G	4	17	BOULON (M6×12)	PN22UX021G	6
9	Δ PIN	PN22UX034G	4				

*** Indique pièces non disponibles

Δ Indique des pièces comprises dans la trousse d'entretien (22XJ95)

Speedaire[®] Palette Tournante du Moteur à Air

Tableau de dépannage

Symptôme	Cause(s) possible (s)	Mesure corrective
Ne pas fonctionner.	<ol style="list-style-type: none"> 1. La saleté ou de matière étrangère. 2. Rouille interne. 3. Le moteur bloqué. 4. Palettes usées. 5. Défaut roulement. 	<ol style="list-style-type: none"> 1. Inspecter et nettoyer. 2. Inspecter et nettoyer. 3. Démontez et nettoyez. 4. Inspecter et remplacer. 5. Inspecter et remplacer.
Fonctionne bien alors ralentit.	<ol style="list-style-type: none"> 1. Évacuation restreinte. 2. Moteur nécessite un nettoyage. 3. Source d'air insuffisante. 4. Source d'air loin du moteur. 5. L'agent d'étanchéité à la corrosion. 	<ol style="list-style-type: none"> 1. Inspecter et réparer. 2. Démontez et nettoyez. 3. Vérifier ressource d'air. 4. Ajuster ressource d'air. 5. Inspecter et remplacer.
Couple faible.	<ol style="list-style-type: none"> 1. La saleté ou de matière étrangère. 2. Pression d'air faible. 3. Moteur nécessite un nettoyage. 4. Roulement usé. 5. Palette du moteur usée. 6. L'agent d'étanchéité à la corrosion. 	<ol style="list-style-type: none"> 1. Démontez et nettoyez. 2. Augmenter la pression. 3. Démontez et nettoyez. 4. Inspecter et remplacer. 5. Inspecter et remplacer. 6. Inspecter et remplacer.
Vitesse Faible.	<ol style="list-style-type: none"> 1. La saleté ou de matière étrangère. 2. Rouille interne. 3. Pression d'air faible. 4. Source d'air restreinte. 5. Évacuation restreinte. 6. Le moteur bloqué. 7. Source d'air CFM insuffisante. 8. Source d'air loin du moteur . 9. Palettes usées. 	<ol style="list-style-type: none"> 1. Démontez et nettoyez. 2. Inspecter et nettoyer. 3. Augmenter la pression. 4. Vérifier le tuyau d'air. 5. Inspecter et remplacer. 6. Démontez et nettoyez. 7. Vérifier ressource d'air. 8. Ajuster ressource d'air. 9. Inspecter et remplacer.

Modèle 22UX45, 22UX46, 22UX73 thru 22UX75

GARANTIE LIMITÉE

GARANTIE LIMITÉE D'UN AN DE DAYTON. SPEEDAIRE® MOTEUR À AIR, MODÈLES ABORDÉS DANS CE MANUEL, SONT COUVERTES PAR DAYTON ELECTRIC MFG. CO. (DAYTON) À L'UTILISATEUR D'ORIGINE CONTRE LES DÉFAUTS DE MATÉRIEL OU DE FABRICATION, EN UTILISATION NORMALE PENDANT UN AN APRÈS LA DATE D'ACHAT. TOUTE PARTIE JUGÉE DÉFECTUEUSE À RETOURNER AU CENTRE DE SERVICE AGRÉÉ, DÉSIGNÉ PAR DAYTON, LE FRAIS DE PORT PRÉPAYÉ, EN RECOURS EXCLUSIF, ELLE SERA RÉPARÉE OU REMPLACÉE PAR DAYTON. POUR LES PROCÉDURES DE REVENDICATIONS DE GARANTIE, VOIR "DISPOSITION RAPIDE" CI-DESSOUS. CETTE GARANTIE LIMITÉE DONNE AUX ACHETEURS DES DROITS SPÉCIFIQUES QUI PEUVENT VARIER D'UNE JURIDICTION À LA COMPÉTENCE.

LIMITATION DE RESPONSABILITÉ. DANS LA MESURE AUTORISÉE PAR LA LOI APPLICABLE, DAYTON A LA RESPONSABILITÉ POUR LES DOMMAGES INDIRECTS ET ACCESSOIRES EXPRESSÉMENT DÉCLINÉE. LA RESPONSABILITÉ DE DAYTON DANS TOUS LES ÉVÉNEMENTS SE LIMITE AU ET NE DOIT PAS DÉPASSER LE PRIX D'ACHAT.

EXONÉRATION DE GARANTIE. A DILIGENTS EFFORTS SONT FAITS POUR FOURNIR DES INFORMATIONS SUR LES PRODUITS ET ILLUSTRANT LES PRODUITS DANS CETTE BROCHURE; TOUTEFOIS, CES INFORMATIONS ET ILLUSTRATION SONT POUR LE SEUL BUT DE L'IDENTIFICATION ET UNE GARANTIE QUE LES PRODUITS SONT MARCHANDE, OU ADAPTÉS À UN USAGE PARTICULIER OU QUE LES PRODUITS NÉCESSAIREMENT CONFORMES AUX ILLUSTRATIONS OU AUX DESCRIPTIONS. SAUF INDICATION CONTRAIRE CI-DESSOUS, AUCUNE GARANTIE OU DÉCLARATION DE FAIT, EXPLICITE OU IMPLICITE, AUTRE QUE DIT DANS LA «GARANTIE LIMITÉE» DESSUS EST EFFECTUÉ OU AUTORISÉ PAR DAYTON.

Conseils et recommandations techniques, les responsabilités. Nonobstant toute pratique ou transactions antérieures ou les usages du commerce, les ventes ne comprennent pas la fourniture de conseils ou d'assistance technique ou de la conception du système. Dayton n'assume aucune obligation ou responsabilité quant aux recommandations non autorisées, des avis ou des conseils sur le choix, l'installation ou l'utilisation de produits.

Conformité du produit. De nombreuses juridictions ont des codes et règlements concernant la vente, la construction, l'installation et / ou utilisation de produits pour certains usages, qui peuvent varier de ceux des régions voisines. Bien que des efforts sont faits pour assurer que les produits de Dayton conformes à ces codes, Dayton ne peut pas garantir la conformité et ne peut pas être responsable de la façon dont le produit est installé ou utilisé. Avant l'achat et l'utilisation d'un produit, revoir les applications de produits, et tous les codes nationaux et locaux et règlements en vigueur, et être sûr que le produit, l'installation et usage sont en accord.

Certains aspects de désistement ne sont pas applicables aux produits de consommation, par exemple, (a) Certaines juridictions n'autorisent pas l'exclusion ou la limitation des dommages indirects ou consécutifs, la limitation ou l'exclusion ci-dessus ne s'appliquent pas à vous, (b) En outre, certains pays ne permettent pas de limitation sur la durée d'une garantie implicite, par conséquent la limitation ci-dessus peut ne s'appliquer pas à vous, et (c) de la loi, au cours de la période de cette garantie limitée, toutes les garanties implicites de commercialisation ou d'adéquation à un usage particulier applicable aux produits de consommation achetés par les consommateurs, ne peuvent pas être exclues ni autrement désistées.

Disposition rapide. Un effort de bonne foi sera fait pour corriger ou ajuster rapidement à l'égard de tout produit qui s'avère défectueusement sous la garantie limitée. Pour tout produit considéré défectueux sous garantie limitée, d'abord écrire ou téléphoner revendeur auprès duquel le produit a été acheté. Le concessionnaire doit donner des directives supplémentaires. S'il est impossible de résoudre de manière satisfaisante, écrire à Dayton à l'adresse ci-dessous, donnant le nom, l'adresse, la date et le numéro de marchand de la facture du concessionnaire, et en décrivant la nature du défaut. Titre et risque de perte passent à l'acheteur lors de la livraison au transporteur commun. Si le produit a été endommagé pendant le transport, déposer plainte auprès transporteur.

Fabriqué pour Dayton Electric Mfg. Co., 100 Grainger Parkway, Lake Forest, Illinois 60045 U.S.A..

