

CONDENSATE HANDLER®

SALES GUIDE



INTRODUCTION

Drain-All No-loss condensate traps provide unique, high quality, energy efficient, reliable product solutions for draining and moving liquids such as: (1) condensate removal from compressed air systems, (2) oils and lubricants from manufacturing or test equipment, and (3) liquids from atmospheric and vacuum systems. Drain-All condensate traps are produced under a certified ISO 9001 Quality Management System to ensure the product exceeds customer expectations.

Drain-All products are industrially robust, require little maintenance and since they do not require any electrical connections, can be easily installed on equipment at any point in a system. The unique design maintains a liquid barrier inside the trap which prevents the escape of costly process gas. As a result, no-loss condensate traps provide energy savings when compared to timer drains and manual valves. These patented devices are backed by an excellent warranty and a strong technical support staff who are available to assist customers in developing engineered solutions for all of their liquid drainage problems.

The Drain-All product line includes a wide array of products, options and accessories which enable customers to customize their particular liquid drainage systems. The Drain-All condensate drains are compatible with all manufactures of compressors, aftercoolers, filters/separators, receivers and dryers.

| SPECIFICATIONS | |
|-----------------------------------------|-------------------|
| Part Number | DH50-0LAAA |
| Max Liquid Temp - °F (°C) | 170 (76.7) |
| Max Liquid Pressure – PSIG (BARG) | 170 (11.7) |
| Control Air Min – PSIG (BARG) | 40 (2.8) |
| Control Air Max – PSIG (BARG) | 130 (9.0) |
| Ht – inches (cm) | 11 (27.9) |
| Width – inches (cm) | 9-1/4 (23.5) |
| Depth (Inlet/BV) – inches (cm) | 10-1/2 (26.7) |
| Inlet / Outlet – NPT | 1/2 |
| Control Air – NPT | 1/4 |
| Balance Line – NPT | 1/8 |
| Max Capacity @ 110 PSI - GPM (kg/hr) | 1.5 (340) * |
| Weight – LBS (KG) | 21 (9.5) |

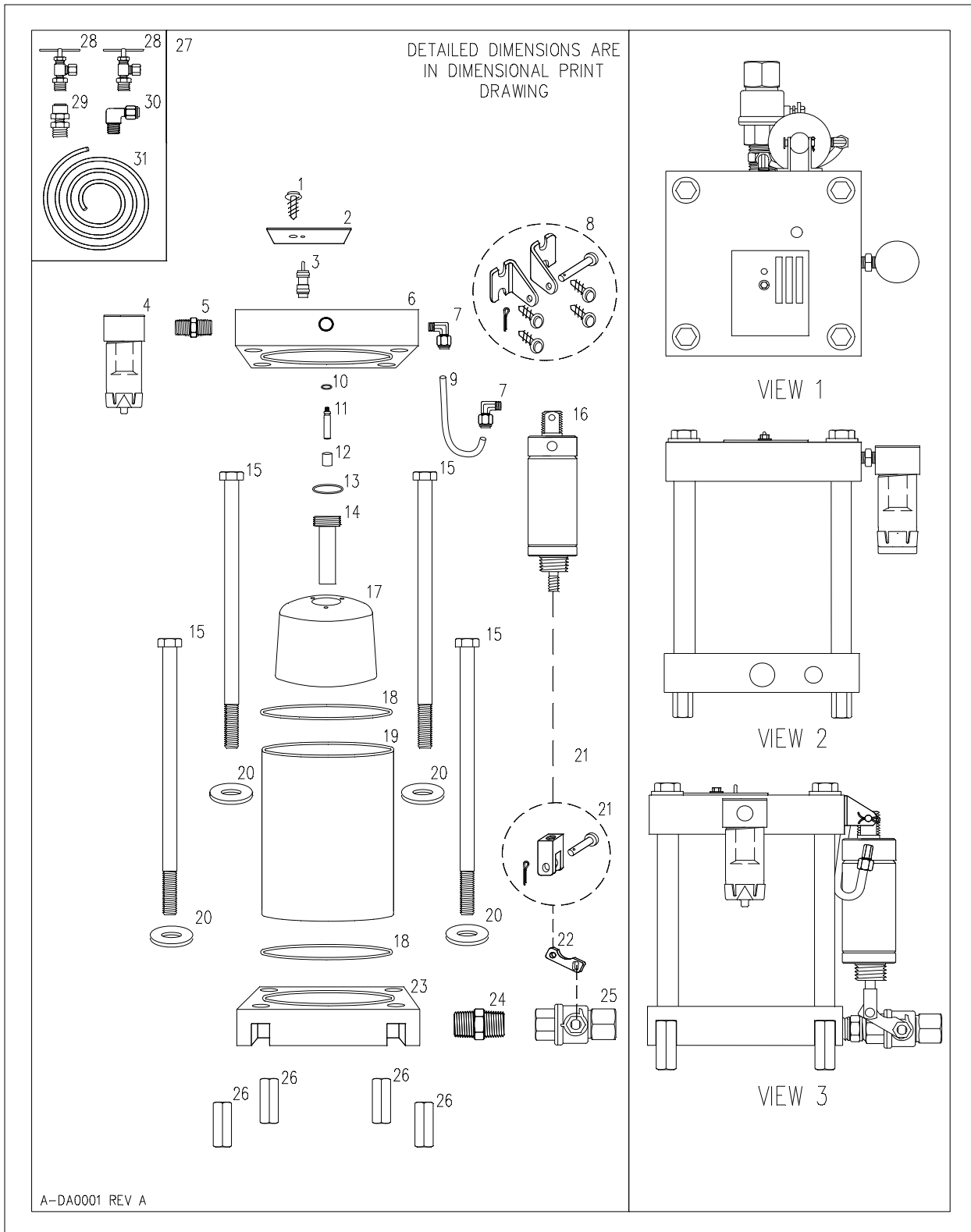
* Varies with pressure/piping

Quality System ISO 9001 Certified United States Patent: 5,983,919

+1 314.781.6022 FAX +1 314.781.7859 INFO@DRAIN-ALL.COM WWW.CDIVALVE.COM



COMPONENT PARTS DRAWING



PARTS & MATERIALS OF CONSTRUCTION

| CODE | PART # | ITEM | DESCRIPTION/REMARKS | QTY |
|------|--------|---------------------------------------|-----------------------------------------------------------|-----|
| 1 | 302500 | Screw, Self-Tapping | Zinc Plated Steel | 1 |
| 2 | 302815 | Name Plate | Aluminum | 1 |
| 3 | 300600 | Push to Test Button | Brass | 1 |
| 4 | 300700 | Control Air Filter Assembly, 1/4" NPT | Aluminum Head, Polycarbonate Bowl, Push Drain | 1 |
| 5 | 300800 | Hex Nipple, 1/4" NPT | Brass | 1 |
| 6 | 170100 | Head | Aluminum | 1 |
| 7 | 301000 | Elbow Fitting, 1/8" NPT - 1/4" Tube | Brass | 2 |
| 8 | 300301 | Cylinder Mount Kit | Includes: | 1 |
| | | | (2) Bracket - Electroless Nickel Plated Steel | |
| | | | (1) Mount Pin-Electroless Nickel Plated Steel | |
| | | | (1) Cotter Pin-Stainless Steel | |
| | | | (4) Screw, Self Tapping, Zinc Plated Steel | |
| 9 | 350352 | Control Air Tube, 1/4" Dia x 7" L | Nylon | 1 |
| 10 | 302210 | O-ring, Valve Stem | Viton, Brown | 1 |
| 11 | 100730 | Valve Stem, 2.235" | O-ring Seal, Aluminum | 1 |
| 12 | 400100 | Inner Magnet | Ceramic with Viton Ends and Covering | 1 |
| 13 | 302215 | O-Ring, Center Tube | Viton, Brown | 1 |
| 14 | 200170 | Center Tube, 4.5" | O-ring Seal, Aluminum | 1 |
| 15 | 302270 | Hex Bolt | Zinc Plated Steel | 4 |
| 16 | 300359 | Pneumatic Cylinder, 2" Dia | 40 - 130 PSI, Stainless Steel Body and Rod, Aluminum Ends | 1 |
| 17 | 100480 | Float | Polyurethane, Bullet Shaped | 1 |
| 18 | 302200 | O-ring, Sleeve | Viton, Brown | 2 |
| 19 | 100300 | Sleeve, 1/8" TK | Epoxy Fiberglass, Translucent | 1 |
| 20 | 301570 | Washer | Zinc Plated Steel | 4 |
| 21 | 300292 | Clevis and Pin Kit | Includes: | 1 |
| | | | (1) Clevis-Electroless Nickel Plated Steel | |
| | | | (1) Clevis Pin-Electroless Nickel Plated Steel | |
| | | | (1) Cotter Pin-Stainless Steel | |
| 22 | 100807 | Control Lever | Stainless Steel for 1/2" NPT Ball Valve | 1 |
| 23 | 170274 | Base, 1/2" NPT | Through Ported, Aluminum | 1 |
| 24 | 300900 | Hex Nipple, 1/2" NPT | Brass | 1 |
| 25 | 300207 | Heavy Duty Ball Valve, 1/2" NPT | Double O-ring Viton Stem Seals, Nickel Plated Brass | 1 |
| 26 | 302370 | Coupling Nut | Zinc Plated Steel | 4 |
| 27 | 301130 | Installation Kit | Includes: | 1 |
| 28 | | | (2) Needle Valve, 1/8" Male NPT x 1/4" Tube-Brass | |
| 29 | | | (1) Straight Fitting, 1/8" Male NPT x 1/4" Tube-Brass | |
| 30 | | | (1) Elbow Fitting, 1/4" Male NPT x 1/4" Tube-Brass | |
| 31 | | | (1) 1/4" Dia LDPE Tube | |

DIMENSIONAL PRINT

