
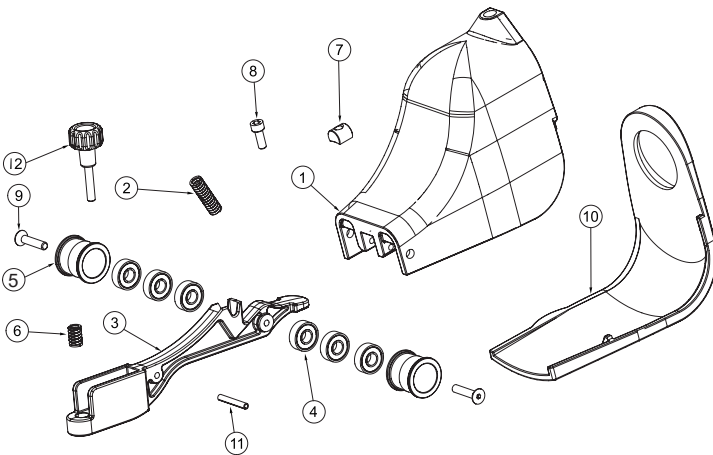

Assembly instructions

| Item # | Tightening torque | Dir. | Glue |
|--------|-------------------|------|--------------|
| 1-19 | 7.5 ft.lb - 10 Nm | ↻ | Loctite™ 222 |
| 37-27 | 7.5 ft.lb - 10 Nm | ↻ | |
| 27-28 | 11 ft.lb - 15 Nm | ↻ | |
| 1-34 | 11 ft.lb - 15 Nm | ↻ | Loctite™ 222 |

| Index No | Part Ref | Description | Qty |
|----------|-------------------|-----------------------------|-----|
| A | 2050547823 | Regulator Assembly | |
| 3 | | Regulator | 1 |
| 4 | | O-Ring 8.1x1.6 | 1 |
| 5 | | O-Ring 8x1 | 1 |
| 6 | | Spring Ring Wr9 | 1 |
| 7 | | Valve Stem | 1 |
| 8 | | O-Ring 2x1 | 1 |
| B | 2050546343 | Valve Kit | |
| 9 | | Tip Valve | 1 |
| 10 | | Spring | 1 |
| C | 2050547893 | Front Plate Assembly | |
| 23 | | Front Plate | 1 |
| 24 | | Pin Spring 3x4 | 1 |
| 25 | 6157580520 | Bearing 10x26x8 | 1 |
| 26 | | Washer | 1 |
| D | 2050547843 | Rear Plate Assembly | |
| 24 | | Pin Spring 3x4 | 1 |
| 31 | | Rear Plate | 1 |
| 32 | 6157581390 | Bearing 6x19x6 626Zz | 1 |
| E | 2050547853 | Motor Assembly | |
| C | 2050547893 | Front Plate Assembly | 1 |
| D | 2050547843 | Rear Plate Assembly | 1 |
| 27 | 6154261220 | Rotor | 1 |
| 29 | <u>2050547793</u> | Blades (Set of 4) | 1 |
| 30 | 6154001490 | Cylinder | 1 |



| Index No | Part Ref | Description | Qty |
|--------------------|-------------------|-------------------------------|-----|
| F | 2050546413 | Small Parts Kit | |
| 6 | | Spring Ring Wr9 | 1 |
| 9 | | O-Ring 2x1 | 1 |
| 13 | | Needle 2.5x11.8 | 1 |
| 15 | | O-Ring 27x2 | 1 |
| 18 | | O-Ring 17x2 | 1 |
| 20 | | Ring | 1 |
| 21 | | Spacer | 1 |
| 22 | | O-Ring 15.6x1.78 | 1 |
| G | 2050547863 | Tune-Up Kit | |
| 2 | | Seal | 1 |
| 17 | | Felt | 1 |
| 29 | <u>2050547793</u> | Blades (Set of 4) | 1 |
| 23 | | Paper Gasket | 1 |
| Other Parts | | | |
| 1 | 2050547813 | Handle Assy (Incl. Part # 15) | 1 |
| 11 | 2050541493 | Safety Lever | 1 |
| 14 | 6155740710 | Air Control Ring | 1 |
| 16 | | Rear Cap | 1 |
| 19 | 2050542533 | Inlet Assy | 1 |
| 28 | 6156080520 | Rotor Nut | 1 |
| 33 | 2050550023 | Block Plate | 1 |
| 34 | 6156731420 | Cover | 1 |
| 35 | 2050549963 | Round Felt | 1 |
| 36 | 2050549973 | Felt | 1 |
| 37 | 2050547533 | Wheel | 1 |
| | 2050547993 | Wave Spring (Not Shown) | 1 |
| | 2050554273 | 9/64" Hex. Wrench | 1 |

| | | |
|--|------------|---------------------|
|  | 6158727980 | Warning Label |
| | 6159948770 | Safety instructions |
| | 2050552743 | Operator's manual |



| Index No | Part Ref | Description | Qty |
|----------|-------------------|--|-----|
| H | 2050545413 | Guard Support 12" Belts | |
| 1 | | Housing | 1 |
| 2 | | Spring | 1 |
| 3 | | Arm | 1 |
| 4 | | Spindle Case | 1 |
| 5 | | Wheel + Ball Bearings | 2 |
| 6 | | Washer | 2 |
| 7 | | Pin | 1 |
| 8 | | Screw | 1 |
| 9 | | Screw | 2 |
| 10 | 2050546523 | Cover Incl. Wave Spring | 1 |
| 11 | | Spring | 1 |
| 12 | | Knob | 1 |
| I | 2050546303 | Small Parts Kit 12" Guard | |
| | | Include 2, 6, 7, 8, 11 & 12 | |
| K | 2050546333 | Tune-Up Kit | |
| | | Include 5 & 9 | |

Recommended accessories

| Picture | Part Ref | Description | Qty |
|---|-------------------|---|-----|
|  | <u>2050545523</u> | <u>Contact Arm 1/2" x 24" (13 x 610 mm)</u> | |
| | 2050546443 | Wheel Assy 1/2" (13 mm) - 5/8" Diam | 1 |
| | 2050546243 | Platten Pad (Set of 10) (1/2" x 1.97" - 12,5 x 50mm) - Use Loctite™ 411 Or Equivalent | 1 |
|  | <u>2050545433</u> | <u>Contact Arm 1/4" To 1/2" x 24" (6 to 13 x 610 mm)</u> | |
| | 2050546473 | Wheel Assy 1/4" (6 mm) | 1 |