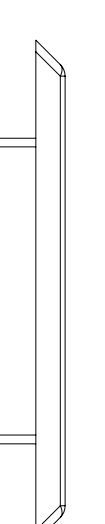
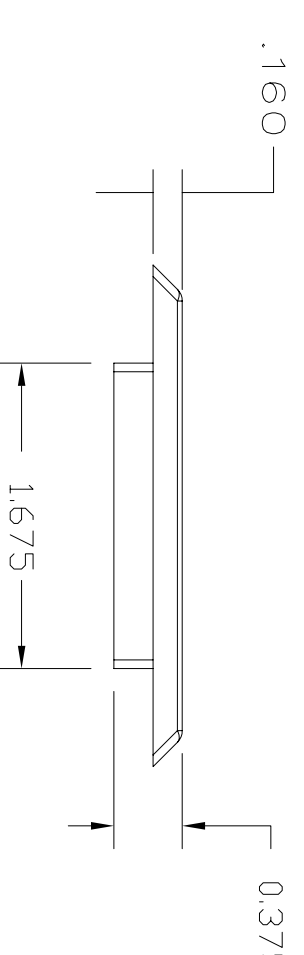
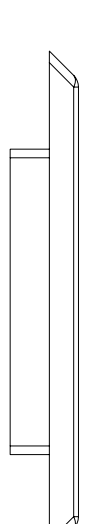
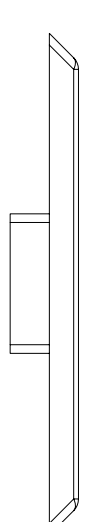
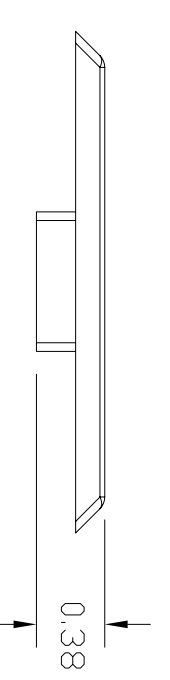
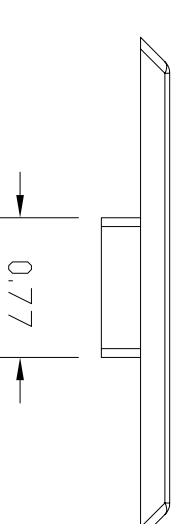
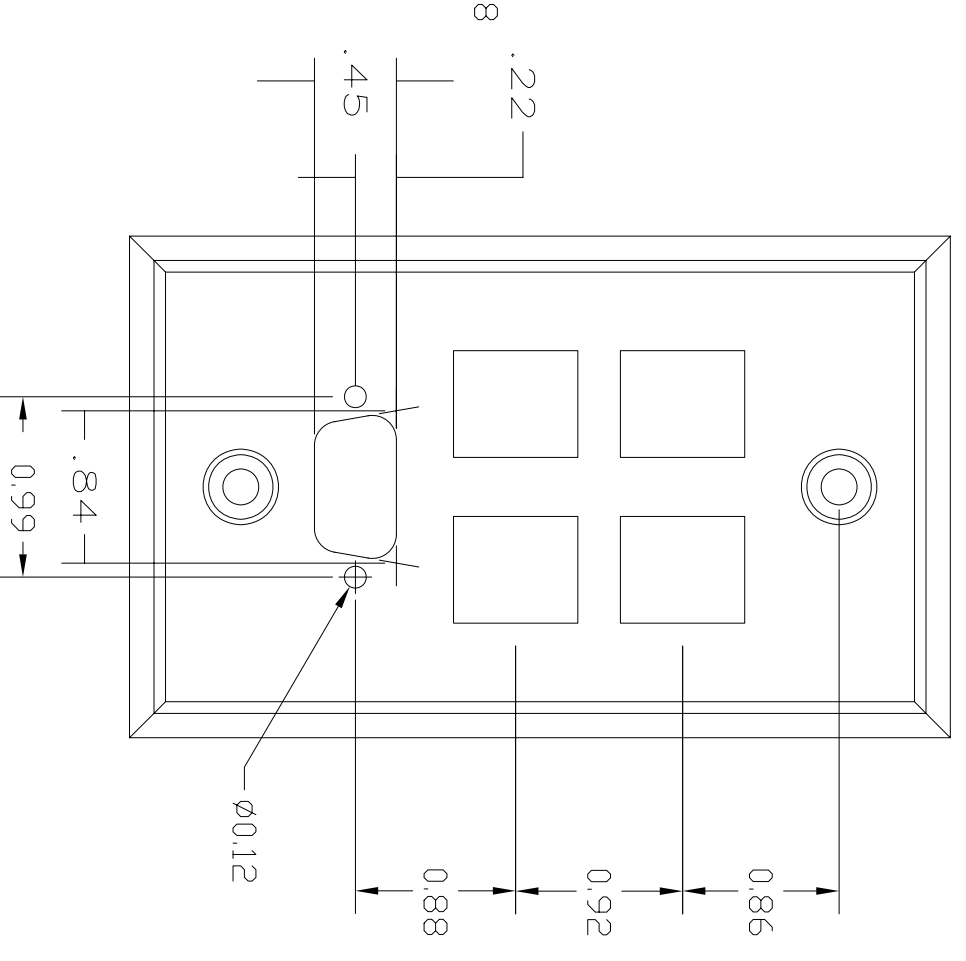
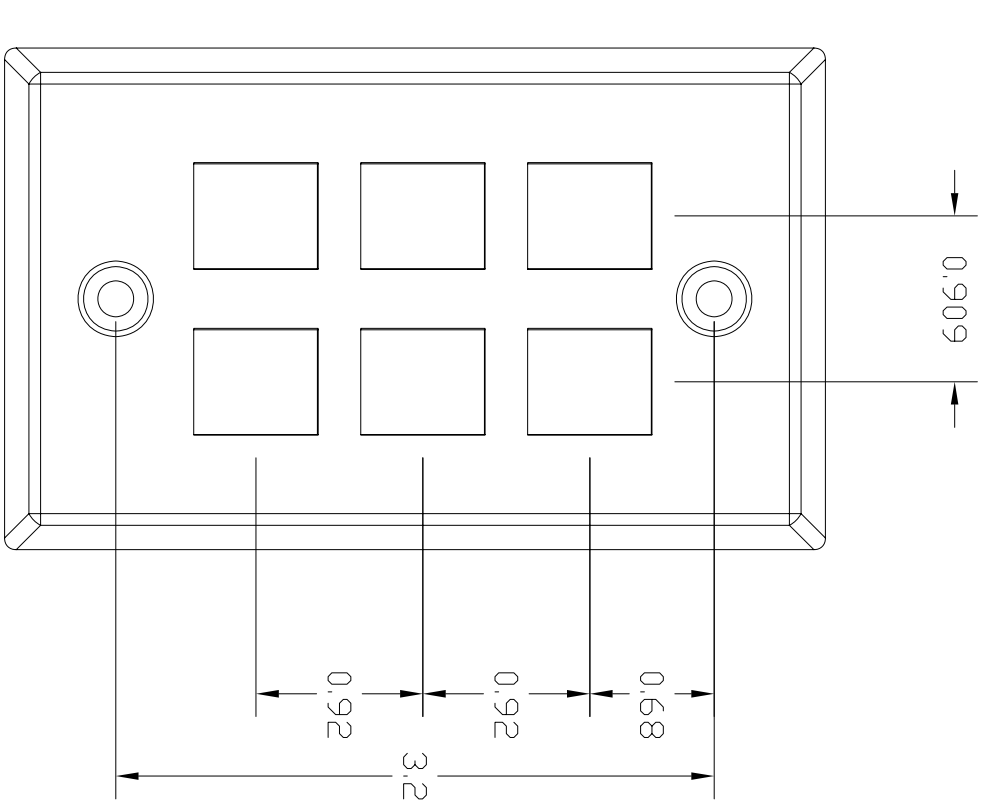
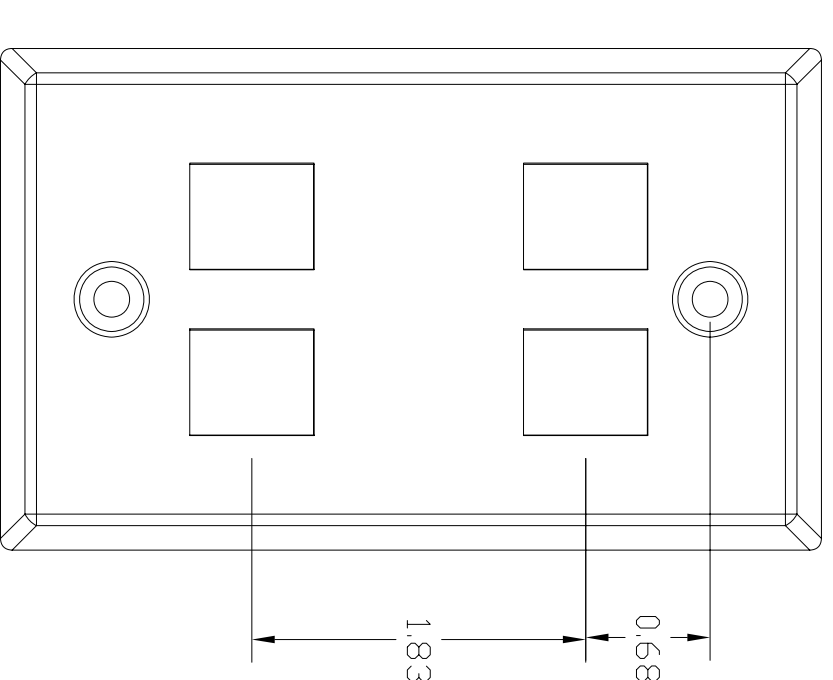
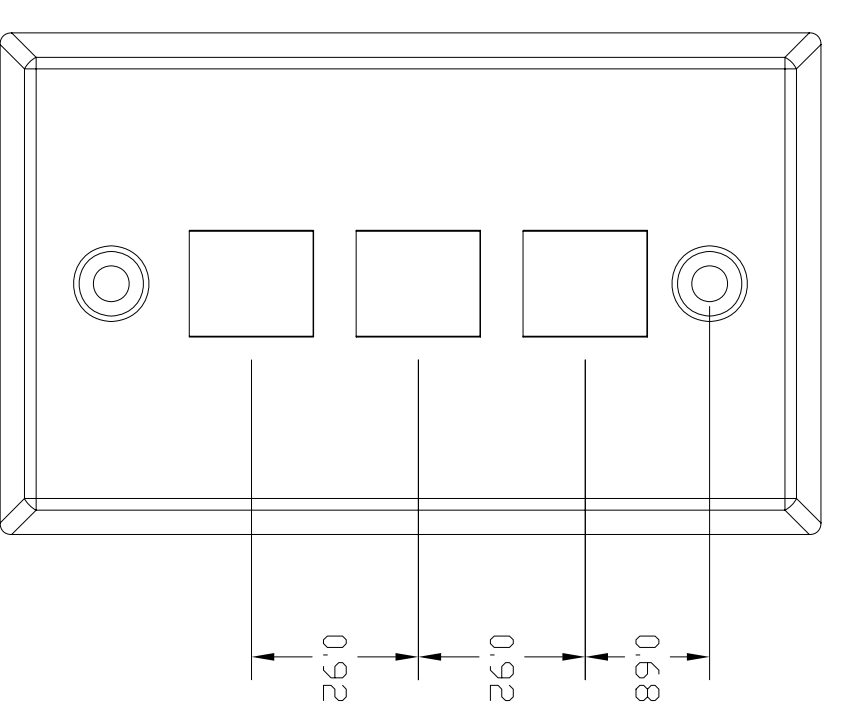
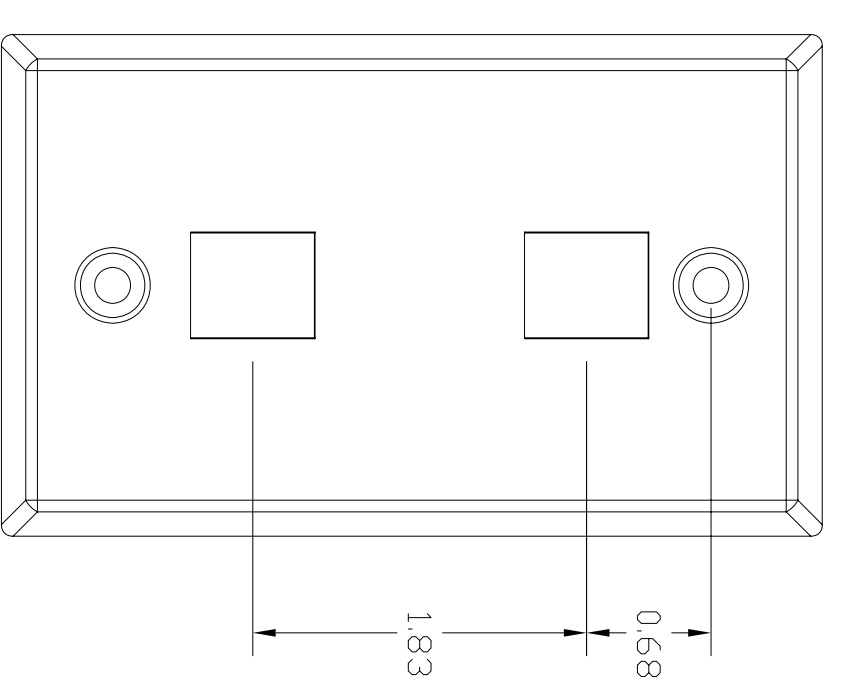
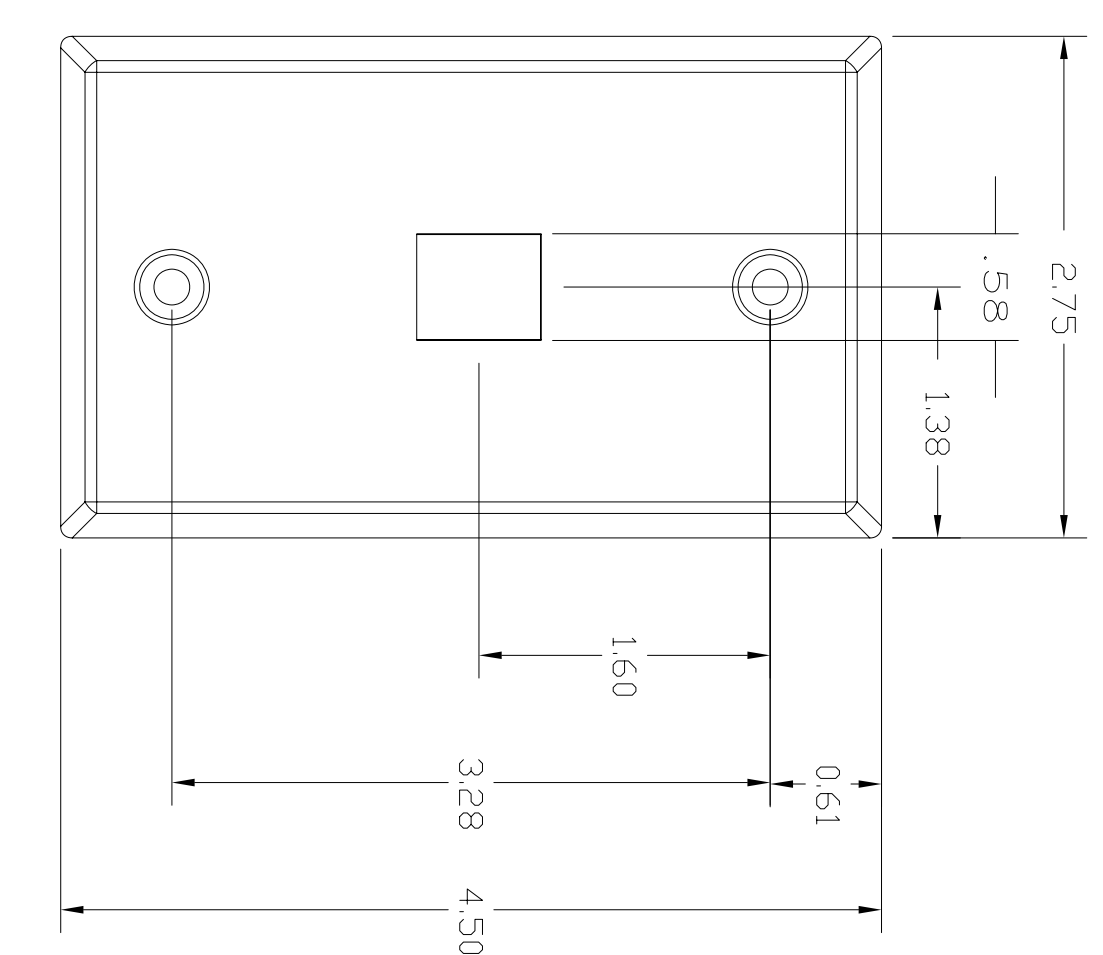


ITEM NO.	DESCRIPTION	QTY.
1	STAINLESS STEEL FACEPLATE	1
2	SCREW #6-32 X 3/4" OVAL HEAD	2

CATALOG NUMBER	DESCRIPTION
SSF11	SS PLATE FLUSH 1 PORT
SSF12	SS PLATE FLUSH 2 PORT
SSF13	SS PLATE FLUSH 3 PORT
SSF14	SS PLATE FLUSH 4 PORT
SSF16	SS PLATE FLUSH 6 PORT
SSF14V	SS PLATE FLUSH 4 PT & VGA



1 PORT

2 PORT

3 PORT

4 PORT

5 PORT

4 PORT & VGA

A

B

C

D

REV.	ECN	DATE	DESCRIPTION	CHG. BY	APPD. BY
C	6508	01/22/09	ADDED CATALOG SSF14V	NJR	
B	5317	5/5/04	ADDED DIMENSION FROM HOLE TO NEST	GPE	
A	5230	1/9/04	INITIAL RELEASE	DPO	JM

- NOTES:
1. MATERIAL: PLATE, 430 SS COIL
 2. COMPATIBLE WITH HP/W CONNECTIVITY ONLY.
 3. SPECIFICATION SUBJECT TO CHANGE WITHOUT PRIOR NOTICE.

Created on AUTOCAD		DIMENSIONING AND TOLERANCE PER ANSI Y14.5M-1982 UNLESS OTHERWISE SPECIFIED. DIMENSIONS ARE IN INCHES (MM). TOLERANCES XX = ±0.01 (25) XXX = ±0.005 (127) XXXX = ±0.002 (50.8)		PROJECT REFERENCE: N/A	
IN ACCEPTING OUR SERVICES BLUEPRINTS, OR SUPPLYING DOCUMENTATION FOR QUOTATION OR OTHER PURPOSES, YOU AGREE THAT HUBBELL ASSUMES NO LIABILITY FOR ANY ERRORS OR OMISSIONS IN THE INFORMATION AND DESIGNS SHOWN HEREIN, AND THAT YOU WILL MAKE NO USE OF SAME WITHOUT PERMISSION.		DRAWN BY: DOUG O'CONNOR 1/9/04		APPROVED BY: JOHN MILLNER 1/9/04	
TITLE: SINGLE GANG STAINLESS STEEL WALL PLATES		HUBBELL Hubbell Premise Wiring HUBBELL INCORPORATED (Delaware) 14 Lord's Hill Road, Stonington, Connecticut 06378		SCALE: 1/1	
SIZE DRAWING NO. D C11198		REV. C		SHEET 1 OF 1	