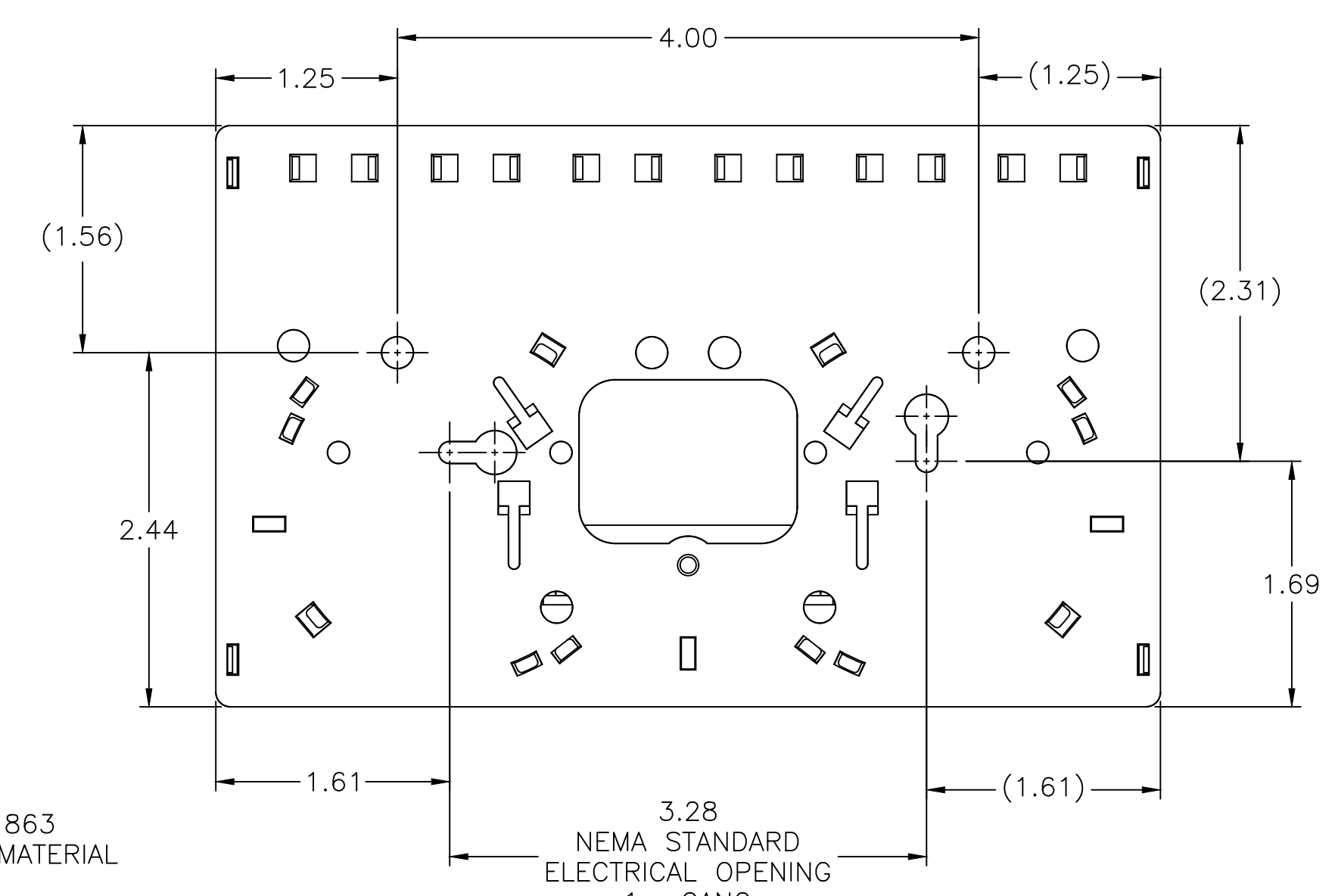
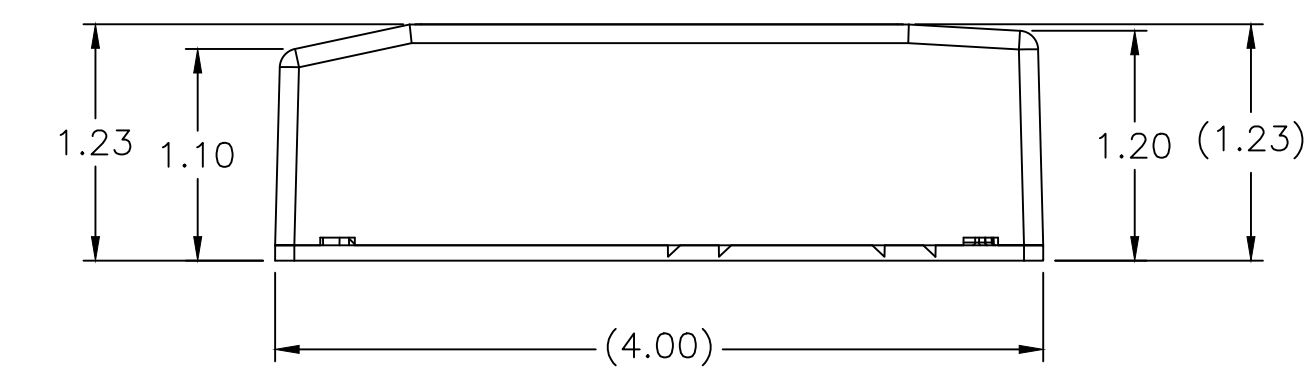
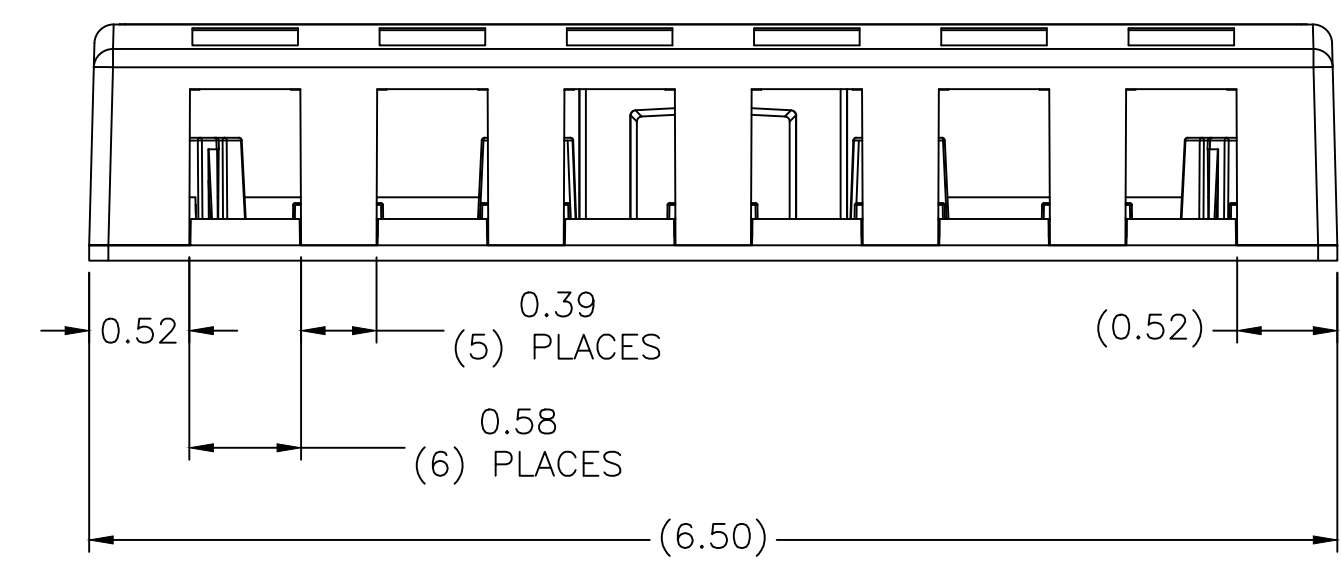
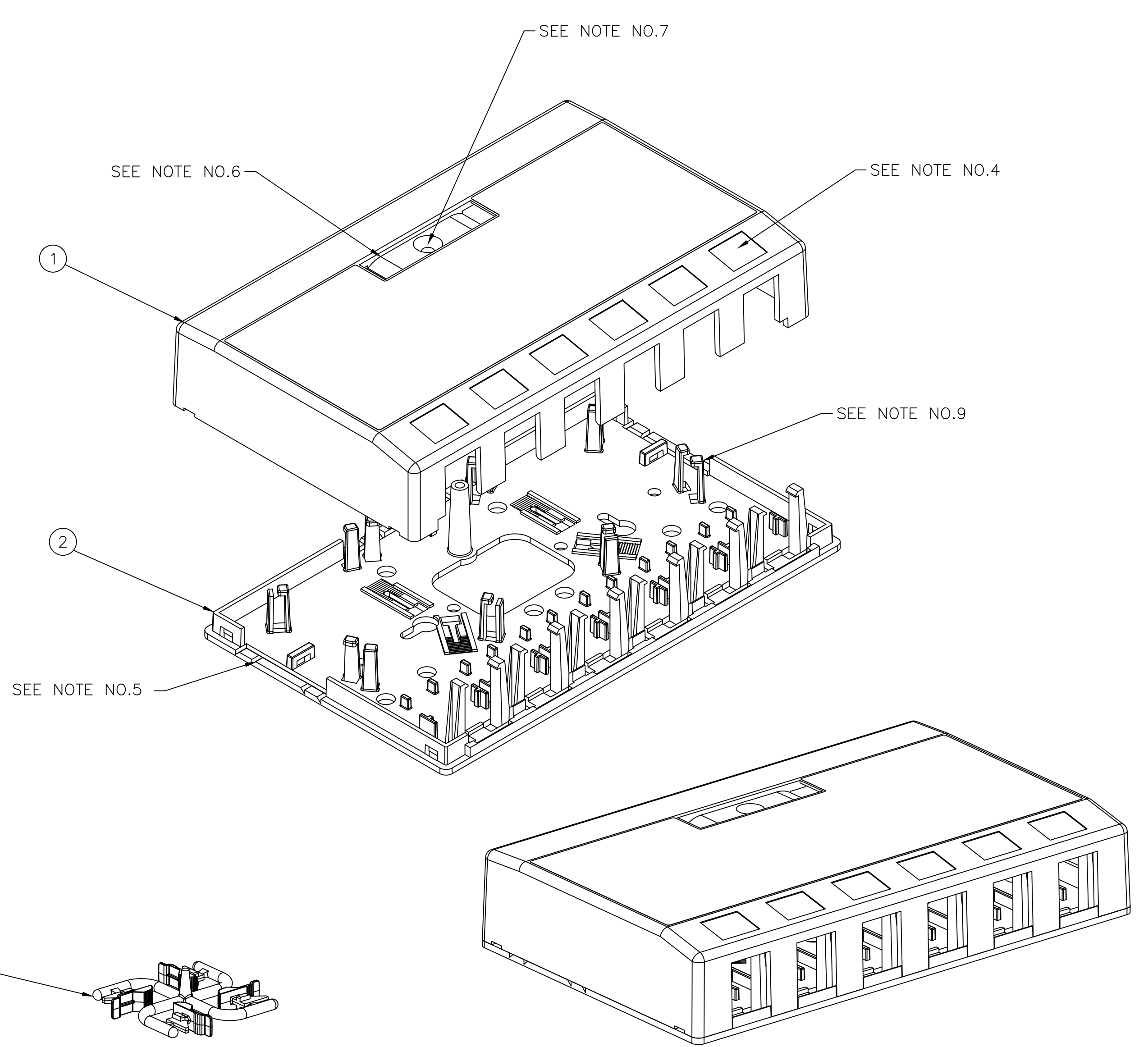
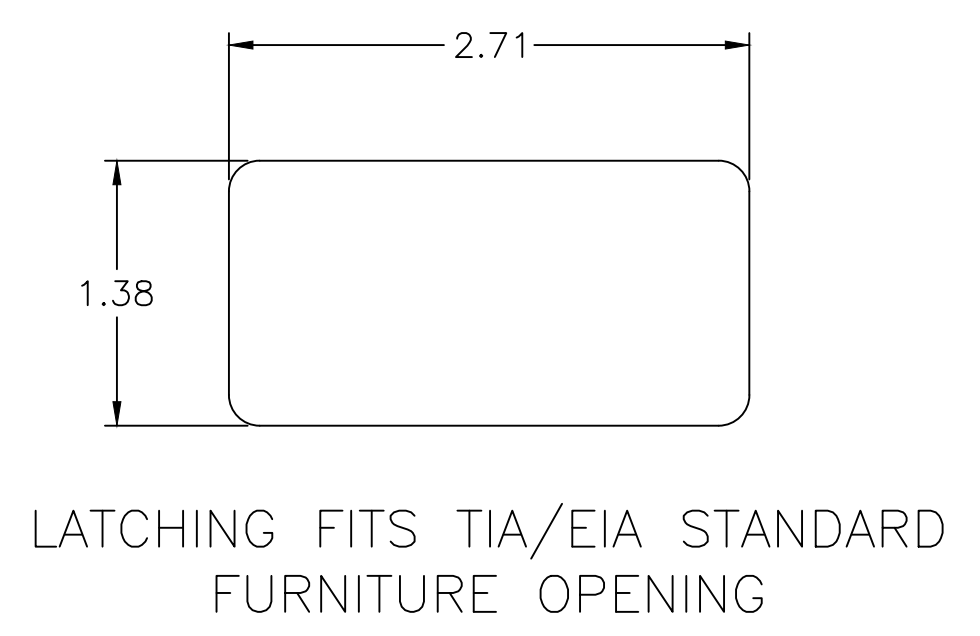
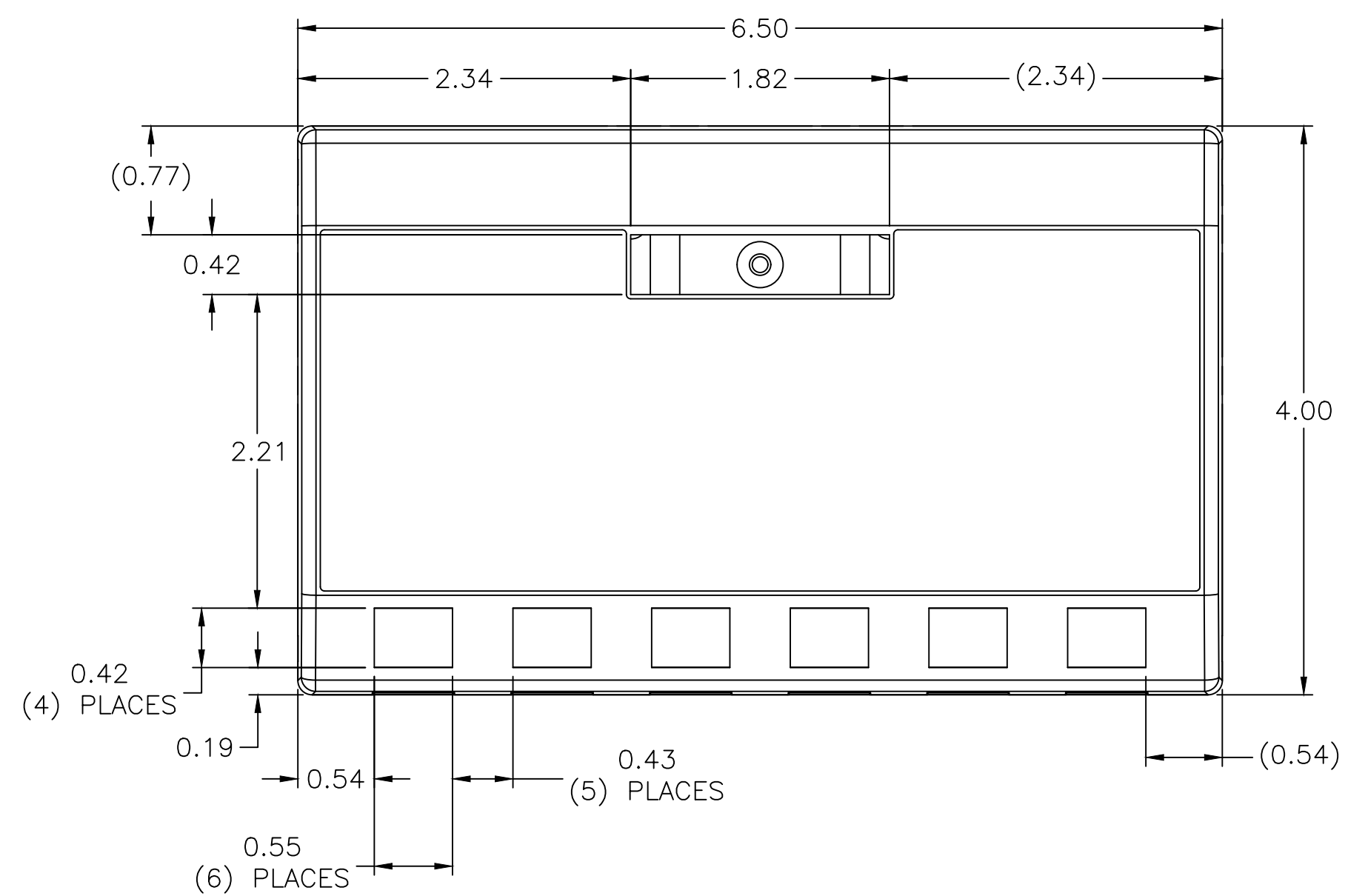


ITEM NO.	DESCRIPTION	QTY.
1	SURFACE HOUSING COVER	1
2	SURFACE HOUSING BASE	1
3	SURFACE HOUSING FURNITURE LOCKS	4
4	SECURITY SCREW	1

CATALOG NUMBER	DESCRIPTION
HSB6xx	HSB SERIES SURFACE HOUSING

"xx" = COLOR

AVAILABLE COLORS
W: WHITE
OW: OFFICE WHITE
BK: BLACK
GY: GRAY
EI: ELECTRIC IVORY



- NOTES:
- UL LISTED 1863
 - UL-94V-0 MATERIAL
 - CUL LISTED
 - PORT LABEL (XPLCRC10X)
 - RACEWAY KNOCKOUT MT6/7/8
 - STATION LABEL (XPLFP10X)
 - SECURITY SCREW
 - LATCHING FITS STANDARD FURNITURE OPENING
 - FIBER SPOOLING
 - SPECIFICATIONS SUBJECT TO CHANGE WITHOUT PRIOR NOTICE

REV.	ECN	DATE	DESCRIPTION	CHG BY	APPD BY
1	23839	12/5/19	INITIAL RELEASE	DPO	MMA

Created on AUTOCAD	DIMENSIONING AND TOLERANCE PER ANSI Y14.5M-1982 UNLESS OTHERWISE SPECIFIED, DIMENSIONS ARE IN INCHES (MM). TOLERANCES .XX = ±.01 (.25) .XXX = ±.005 (.127) .XXXX = ±.0025 (.0635) ANGLE TOL ±1°	PROJECT REFERENCE:	Hubbell Premise Wiring HUBBELL INCORPORATED (Delaware) 23 Clara Drive, Mystic, Connecticut 06355
	IN ACCEPTING OUR DRAWINGS, BLUEPRINTS, OR SUPPORTING DOCUMENTATION FOR QUOTATION OR OTHER PURPOSES, YOU AGREE NOT TO DISCLOSE TO OTHERS THE IDEAS, INFORMATION, OR DESIGNS SHOWN HEREIN, AND THAT YOU WILL MAKE NO USE OF SAME WITHOUT PERMISSION	MATERIAL:	
		DRAWN BY: D.O'CONNOR 12/5/19	SIZE: D
		CHECKED BY:	DRAWING NO. HWS14898C
		APPROVED BY:	SCALE: 1/1
			SHEET 1 OF 1
			REV. 1