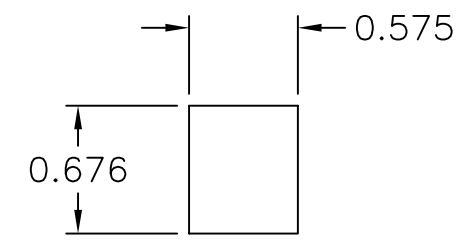
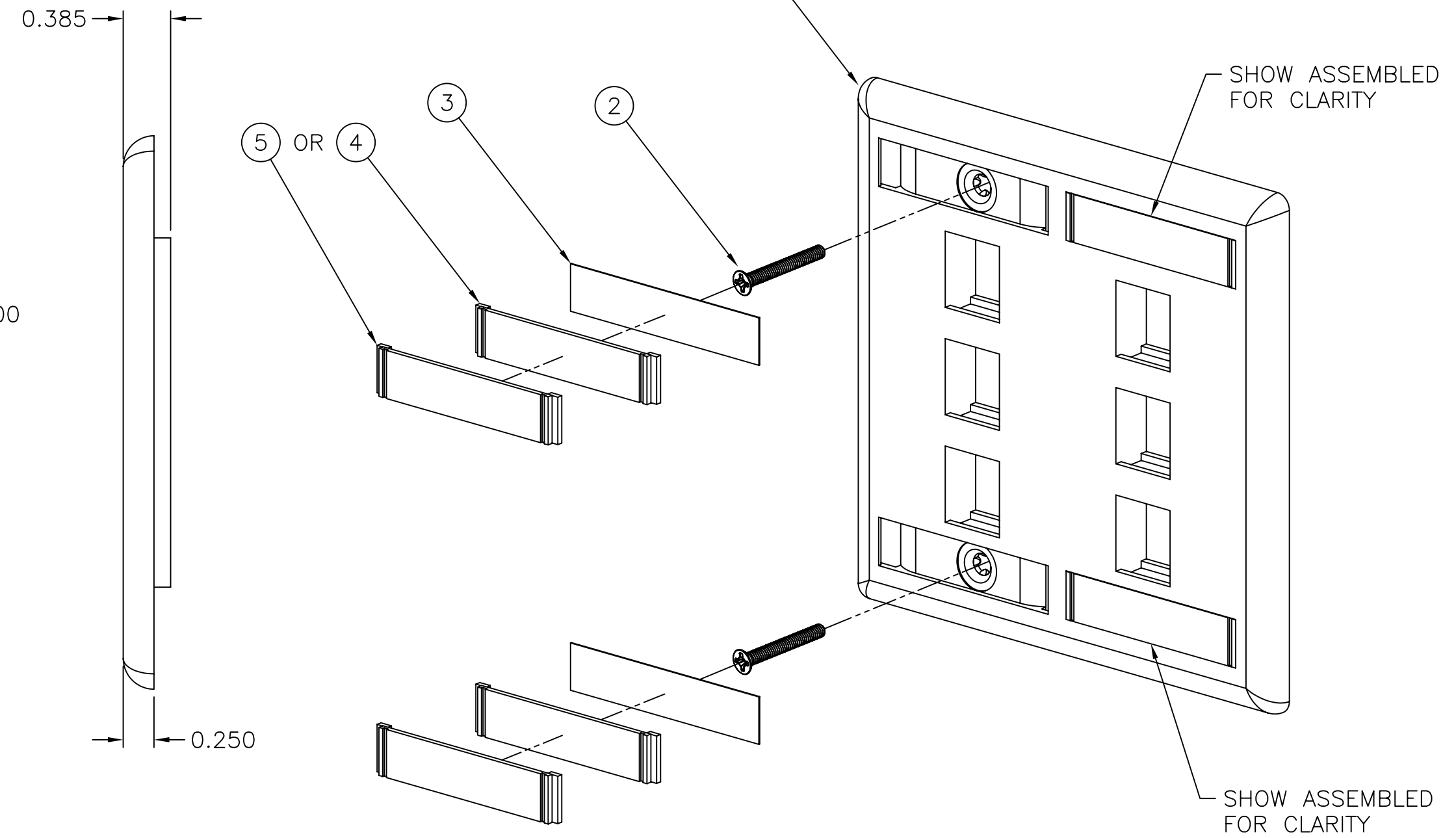
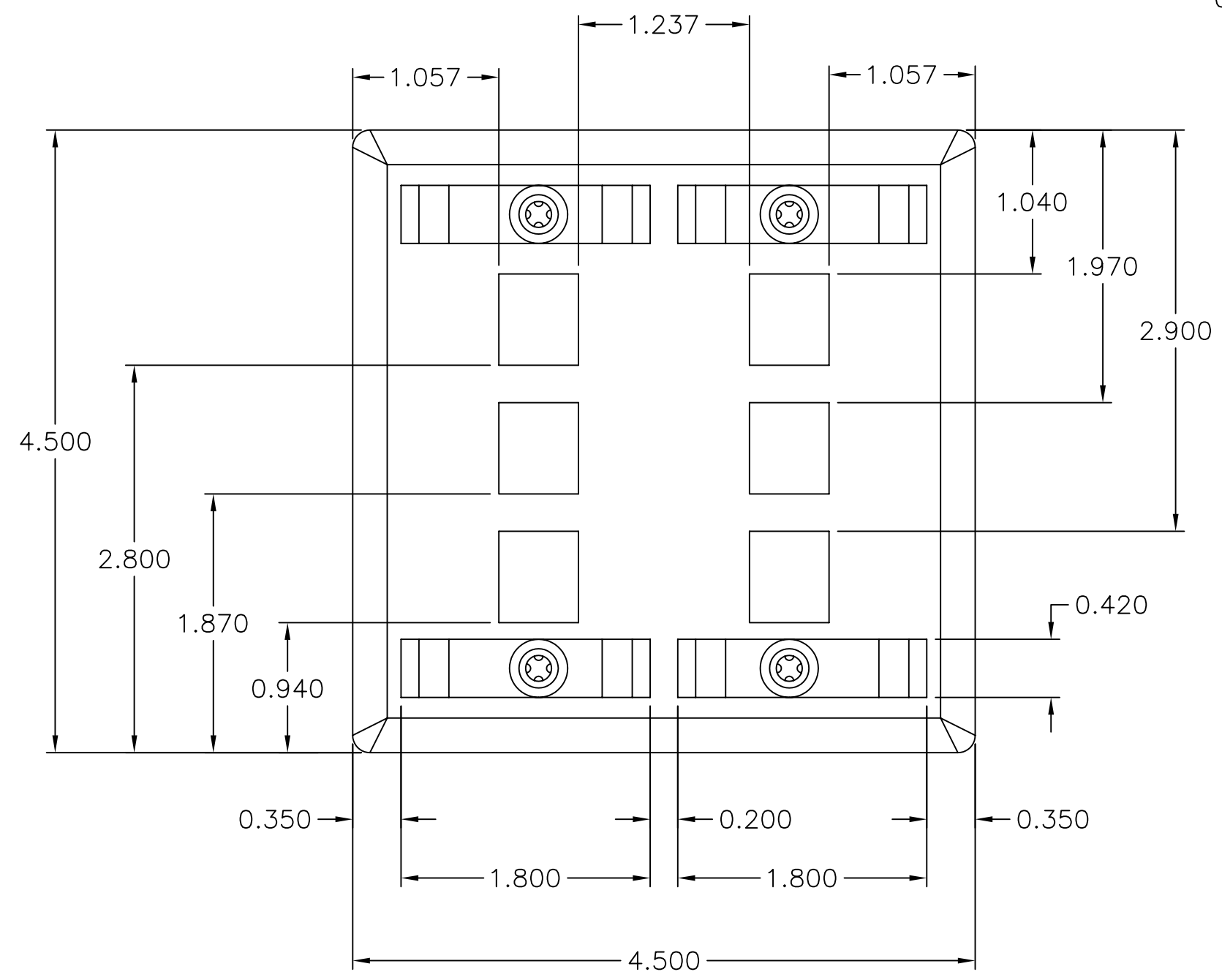


ITEM NO.	DESCRIPTION	QTY.
1	PLATE,FLUSH,9P,W/LABELS	1
2	SCREW,6-32 FLAT HEAD	4
3	CARD,PAPER,.40X1.92,BLANK	4
4	COVER LABEL,CLEAR	4
5	COVER LABEL,MATCHING COLOR	4

CATALOG NUMBER	COLOR	DESCRIPTION
IFP26OW	OFFICE WHITE	PLATE, FLUSH 6 PORT
IFP26EI	ELECTRIC IVORY	PLATE, FLUSH 6 PORT
IFP26W	WHITE	PLATE, FLUSH 6 PORT
IFP26GY	GRAY	PLATE, FLUSH 6 PORT
IFP26TI	TELCO IVORY	PLATE, FLUSH 6 PORT
IFP26BK	BLACK	PLATE, FLUSH 6 PORT
IFP26AL	ALMOND	PLATE, FLUSH 6 PORT
IFP26LA	LIGHT ALMOND	PLATE, FLUSH 6 PORT



KEYSTONE OPENING



NOTES
UNLESS OTHERWISE SPECIFIED:
1. SPECIFICATIONS SUBJECT TO CHANGE WITHOUT NOTICE

REV.	ECN	DATE	DESCRIPTION	CHG BY	APPD BY
C	5870	6/8/06	ADDED LIGHT ALMOND CATALOG NUMBER	CD	
B	5721	9/30/05	ADDED ALMOND CATALOG NUMBER	CD	
A	4728	04/19/02	INITIAL RELEASE	PSM	DOC

Created on AUTOCAD

DIMENSIONING AND TOLERANCE PER ANSI Y14.5M-1982 UNLESS OTHERWISE SPECIFIED, DIMENSIONS ARE IN INCHES (MM). TOLERANCES
.XX = ±.01 (.25)
.XXX = ±.005 (.127)
.XXXX = ±.0025 (.0635)
ANGLE TOL ±1°

PROJECT REFERENCE:

MATERIAL:

DRAWN BY:
PAUL S. MAGUIRE 04/19/02

CHECKED BY:
DOUG OCONNER 04/19/02

APPROVED BY:
DOUG OCONNER 04/19/02

HUBBELL Hubbell Premise Wiring
HUBBELL INCORPORATED (Delaware)
14 Lord's Hill Road, Stonington, Connecticut 06378

TITLE:
PLATES/HOUSINGS/FRAMES
IFP PLATES
FLUSH 6 PORT W/LABEL HOLDERS

SIZE: **C** DRAWING NO. **C773444** REV. **C**

SCALE: 1/1 SHEET 1 OF 1