



Cush-A-Clamp®

Cush-A-Clamp®



Gold Electro-Galvanized Steel



Stainless Steel



The “Living Hinge” allows the cushion to be spread apart for quick, easy installation.

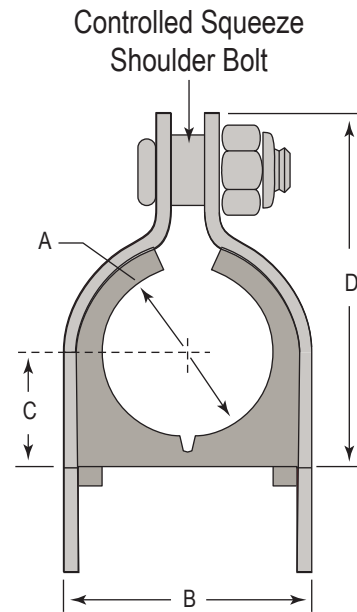
CUSH-A-CLAMP — Channel mounted clamping systems are ideal for multiple line runs, while absorbing shock and vibration, reducing unwanted noise and preventing galvanic corrosion. Cush-A-Clamp fits any standard 1-5/8" wide channel.

Assembly consisting of steel clamp with locknut and thermoplastic elastomer cushion. All parts are marked for easy identification and packaged for small lot or bulk use. When specified, Cush-A-Clamp assemblies up to 2", are available individually packaged.

THE CLAMP — Features a unique shoulder stud which is securely fastened to one clamp half. Steel clamps for tube sizes up to 1-3/8" have the “Controlled Squeeze™” design which eliminates over-tightening and rotation while a nylon-insert nut assures a positive lock. Clamps are available in steel (with electro-dichromate finish), and stainless steel type 304. (Contact factory for type 316).

THE CUSHION — Made from a thermoplastic elastomer, it's built tough to withstand the effects of most oils, chemicals and industrial cleaning compounds, in temperatures from -50°F to 275°F. Interlock edges and channel locator legs ensure that the cushion remains in place.

INSTALLATION — One man, one tool time savings. Retrofits can be added without disassembly. The “Living Hinge” allows the cushion to be spread apart for quick, easy installation on sizes from 1/4" through 1-3/4".



Loading Values Mounted in Standard 12 Gage Channel.					
Nut	Torque (in-lbs)	Products	Pullout (lbs)	Slip (lbs)	
				Along	Through
1/4"	40	004T008 - 022T026	1,000	100	100
5/16"	60	024T028 - 050N056	2,200	200	200
3/8"	150	053N050 - 106N114	3,600	600	350

Loads are the same for Stainless Steel Clamps (Example 024NS028)

