

CATALOG NUMBER		CONDUCTORS ACCOMMODATED				J REF.	P ±.02	B MIN EFF THD.	CFy ±.02	Wy REF.	H1 ±.03	L1 ±.03	O1 ±.03	CFx ±.02	Wx REF.	H2 ±.03	L2 ±.03	O2 ±.03	NUT TORQUE LBS*IN [N*M]	STUD TORQUE LBS*IN [N*M]
FIG. 1	FIG. 2	AWG.		METRIC WIRE SIZE																
		STRANDED	SOLID	STRANDED	SOLID															
KC15	K2C15	12 (.092 DIA)	12 (.081 DIA)	[4mm <sup>2</sup> (2.6 DIA)]	[4mm <sup>2</sup> (2.3 DIA)]	1/4-20 UNC-2A	.14 [3.6]	.37 [9.4]	.38 [9.7]	.44 [11.2]	.69 [17.5]	1.19 [30.2]	.53 [13.5]	.50 [12.7]	.56 [14.2]	.81 [20.6]	1.31 [33.3]	.66 [16.8]	80 [9.0]	80 [9.0]
KC15B	K2C15B	9 (.130 DIA)	8 (.128 DIA)	[6mm <sup>2</sup> (3.2 DIA)]	[6mm <sup>2</sup> (2.8 DIA)]			.87 [22.1]				1.69 [42.9]					1.81 [46.0]			
KC17	K2C17	10 (.116 DIA)	10 (.102 DIA)	[6mm <sup>2</sup> (3.2 DIA)]	[6mm <sup>2</sup> (2.8 DIA)]	1/4-20 UNC-2A	.17 [4.2]	.37 [9.4]	.44 [11.2]	.50 [12.7]	.84 [21.3]	1.34 [34.0]	.66 [16.8]	.62 [15.7]	.69 [17.5]	1.00 [25.4]	1.50 [38.1]	.81 [20.6]	80 [9.0]	80 [9.0]
KC17B	K2C17B	7 (.164 DIA)	6 (.162 DIA)	[10mm <sup>2</sup> (4.1 DIA)]	[10mm <sup>2</sup> (3.6 DIA)]			.87 [22.1]				1.84 [46.7]					2.00 [50.8]			
KC20	K2C20	10 (.116 DIA)	10 (.102 DIA)	[6mm <sup>2</sup> (3.2 DIA)]	-----	5/16-18 UNC-2A	.22 [5.5]	.41 [10.4]	.50 [12.7]	.58 [14.7]	.86 [21.8]	1.42 [36.1]	.70 [17.8]	.69 [17.5]	.78 [19.8]	1.06 [26.9]	1.62 [41.1]	.91 [23.1]	165 [18.6]	180 [20.3]
KC20B1	K2C20B1	5 (.206 DIA)	4 (.204 DIA)	[16mm <sup>2</sup> (5.1 DIA)]	-----			.85 [21.6]				1.92 [48.8]					2.06 [52.3]			
KC22	K2C22	10 (.116 DIA)	10 (.102 DIA)	[6mm <sup>2</sup> (3.2 DIA)]	-----	3/8-16 UNC-2A	.26 [6.7]	.46 [11.7]	.62 [15.7]	.72 [18.3]	1.00 [25.4]	1.62 [41.1]	.81 [20.6]	.75 [19.1]	.84 [21.3]	1.25 [31.8]	1.88 [47.8]	1.06 [26.9]	275 [31.1]	280 [31.6]
KC22B1	K2C22B1	3 (.260 DIA)	2 (.258 DIA)	[25mm <sup>2</sup> (6.5 DIA)]	-----			.96 [24.4]				2.12 [53.8]					2.38 [60.5]			
KC23	K2C23	8 (.146 DIA)	10 (.102 DIA)	[10mm <sup>2</sup> (4.1 DIA)]	-----	3/8-16 UNC-2A	.32 [8.2]	.46 [11.7]	.62 [15.7]	.72 [18.3]	1.05 [26.7]	1.67 [42.4]	.86 [21.8]	.81 [20.6]	.94 [23.9]	1.34 [34.0]	1.97 [50.0]	1.16 [29.5]	275 [31.1]	280 [31.6]
KC23B1	K2C23B1	2 (.292 DIA)	1 (.289 DIA)	[35mm <sup>2</sup> (6.5 DIA)]	-----			.97 [24.6]				2.19 [55.6]					2.47 [62.7]			
KC23-BDT	-	8 (.146 DIA)	10 (.102 DIA)	[10mm <sup>2</sup> (4.1 DIA)]	-----	5/16-18 UNC-2A	.32 [8.2]	.44 [11.2]	.62 [15.7]	.72 [18.3]	1.05 [26.7]	1.49 [37.8]	.86 [21.8]	.81 [20.6]	.94 [23.9]	---	---	---	275 [31.1]	180 [20.3]
KC25	K2C25	2 (.292 DIA)	2 (.258 DIA)	[35mm <sup>2</sup> (6.5 DIA)]	-----	1/2-13 UNC-2A	.39 [9.8]	.53 [13.5]	.75 [19.1]	.88 [22.4]	1.19 [30.2]	1.94 [49.3]	1.00 [25.4]	.93 [23.6]	1.15 [29.2]	1.56 [39.6]	2.31 [58.7]	1.38 [35.1]	385 [43.5]	480 [54.2]
KC25B1	K2C25B1	1/0 (.373 DIA)	2/0 (.365 DIA)	[50mm <sup>2</sup> (9.3 DIA)]	-----			1.04 [26.4]				2.44 [62.0]					2.81 [71.4]			
KC25B1CB1	K2C25B1																			
FIG. 3	FIG. 4					REF	±.05		±.03	REF	±.05	±.05	±.05	±.03	REF	±.05	±.05	±.05		
KC26	K2C26	2 (.292 DIA)	2 (.258 DIA)	[35mm <sup>2</sup> (6.5 DIA)]	-----	1/2-13 UNC-2A	.44 [11.0]	.52 [13.2]	.88 [22.4]	1.01 [25.7]	1.38 [35.1]	2.12 [53.8]	1.16 [29.5]	1.04 [26.4]	1.28 [32.5]	1.81 [46.0]	2.53 [64.3]	1.56 [39.6]	385 [43.5]	480 [54.2]
KC26B1	K2C26B1	2/0 (.419 DIA)	3/0 (.410 DIA)	[70mm <sup>2</sup> (9.3 DIA)]	-----			1.04 [26.4]				2.62 [66.5]					3.09 [78.5]			
KC28	K2C28	1 (.332 DIA)	1 (.289 DIA)	[50mm <sup>2</sup> (9.3 DIA)]	-----	5/8-11 UNC-2A	.55 [14.0]	.75 [19.1]	1.18 [30.0]	1.00 [25.4]	1.94 [49.3]	2.95 [74.9]	1.67 [42.4]	1.35 [34.3]	1.56 [39.6]	2.46 [62.5]	3.44 [87.4]	2.20 [55.9]	500 [56.5]	660 [74.6]
KC28B1	K2C28B1	4/0 (.528 DIA)	4/0 (.460 DIA)	[95mm <sup>2</sup> (12.8 DIA)]	-----			1.25 [31.8]				3.45 [87.6]					3.94 [100.1]			
KC31	K2C31	1 (.332 DIA)	-----	[50mm <sup>2</sup> (9.3 DIA)]	-----	5/8-11 UNC-2A	.70 [17.8]	.75 [19.1]	1.43 [36.3]	1.29 [32.8]	2.19 [55.6]	3.19 [81.0]	1.84 [46.7]	1.69 [42.9]	1.91 [48.5]	2.88 [73.2]	3.88 [98.6]	2.53 [64.3]	650 [73.4]	660 [74.6]
KC31B1	K2C31B1	350 Kcmil(.681 DIA)	-----	[150mm <sup>2</sup> (16.0 DIA)]	-----			1.23 [31.2]				3.69 [93.7]					4.38 [111.3]			
KC34	K2C34	3/0 (.470 DIA)	-----	[95mm <sup>2</sup> (12.8 DIA)]	-----	3/4-10 UNC-2A	.85 [21.5]	.99 [25.1]	1.62 [41.1]	1.45 [36.8]	2.38 [60.5]	3.62 [91.9]	1.97 [50.0]	2.00 [50.8]	2.28 [57.9]	31.9 [81.0]	4.44 [112.8]	2.78 [70.6]	825 [93.2]	1050 [118.7]
KC34B1	K2C34B1	500 Kcmil(.813 DIA)	-----	[240mm <sup>2</sup> (20.3 DIA)]	-----			1.49 [37.8]				4.12 [104.6]					4.94 [125.5]			
KC39	K2C39	350 Kcmil(.681 DIA)	-----	[185mm <sup>2</sup> (17.8 DIA)]	-----	7/8-9 UNC-2A	1.01 [25.7]	1.13 [28.4]	1.88 [47.8]	1.92 [48.8]	2.94 [74.7]	4.32 [109.7]	2.53 [64.3]	2.31 [58.7]	2.62 [66.5]	3.94 [100.1]	5.32 [135.1]	3.53 [89.7]	1000 [113.0]	1700 [192.1]
KC39B1	K2C39B1	750 Kcmil(.998 DIA)	-----	[300mm <sup>2</sup> (22.6 DIA)]	-----			1.63 [41.4]				4.82 [122.4]					5.82 [147.8]			
KC44	K2C44	500 Kcmil(.813 DIA)	-----	[300mm <sup>2</sup> (22.6 DIA)]	-----	1-8 UNC-2A	1.17 [29.6]	1.19 [30.2]	2.12 [53.8]	2.12 [53.8]	3.23 [82.0]	4.73 [120.1]	2.83 [71.9]	2.56 [65.0]	2.91 [73.9]	4.39 [111.5]	5.89 [149.6]	3.99 [101.3]	1100 [124.3]	2550 [288.2]
KC44B1	K2C44B1	1000 Kcmil(1.152 DIA)	-----	[500mm <sup>2</sup> (28.3 DIA)]	-----			1.69 [42.9]				5.23 [132.8]					6.42 [163.1]			

D

C

B

A

D

C

B

A


TO ORDER BURNDY® PRODUCTS CALL  
 UNITED STATES  
 1-800-346-4175 (LONDONDERRY, NH)  
 CANADA:  
 1-800-361-6975 (QUEBEC)  
 1-800-387-6487 (ALL OTHER PROVINCES)  
 FOR PRODUCT INFO: <http://www.burndy.com>

SERVIT POST™ (MALE)

ITEM NO: N/A  
 CAT. NO: KC--, K2C-- (TABLE)  
 DRAWN BY: A.J.M. 4/16/94  
 CHECKER: L.S.T. 4/25/94  
 DSN APPVL: H GOMES 09/14/17  
 MFG APPVL: P MARTEL 09/15/17  
 QA APPVL: C. LINDQUIST 09/19/17  
 MKT APPVL: P.WERTHMAN 4/94

SCALE: 1:000

PROD FAM: -- DRAWING NO: SD055917  
 PROJECT #: -- SIZE: D  
 DOCUMENT TYPE: Sales SHEET 1 OF 2  
 REV: H



REV	DATE	DESCRIPTION	ECO	BY	C'H'K.
J	09/05/2017 11:22:00 AM	KC25B1CB1 ROW ADDED	47461	SM	MB

REV: PEC200

REV	DATE	DESCRIPTION	ECO	BY	C.H.K.
J	09/05/2017 11:22:00 AM	KC28/CFE1 FROM ADDED	47461	SM	MB

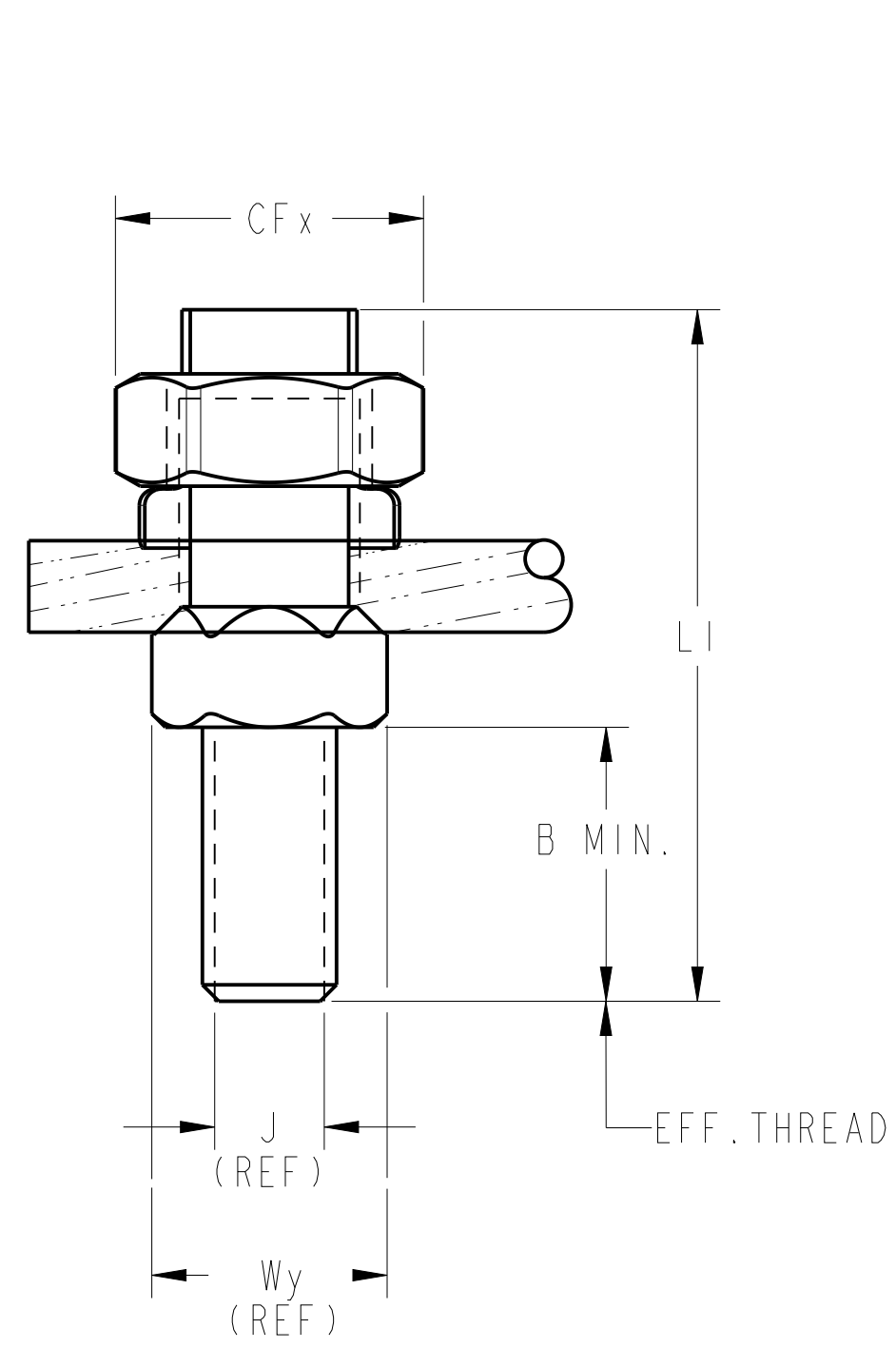


FIG. 1

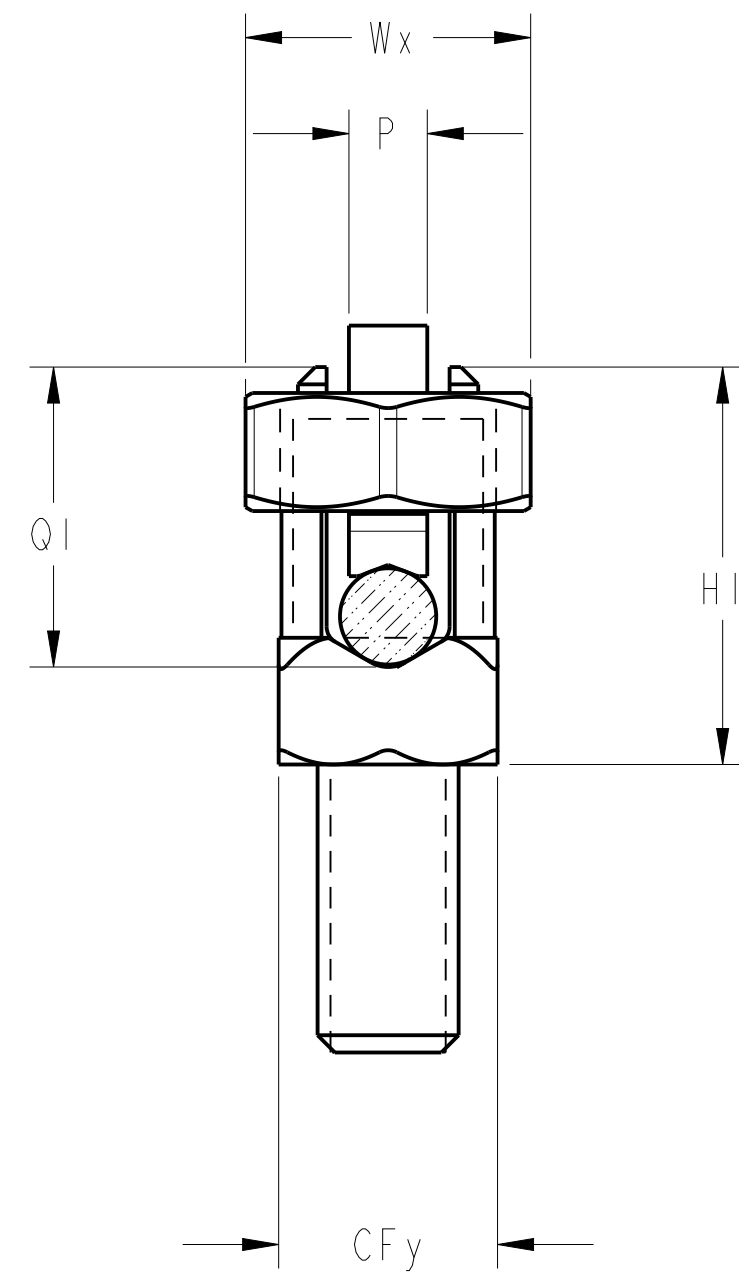


FIG. 2

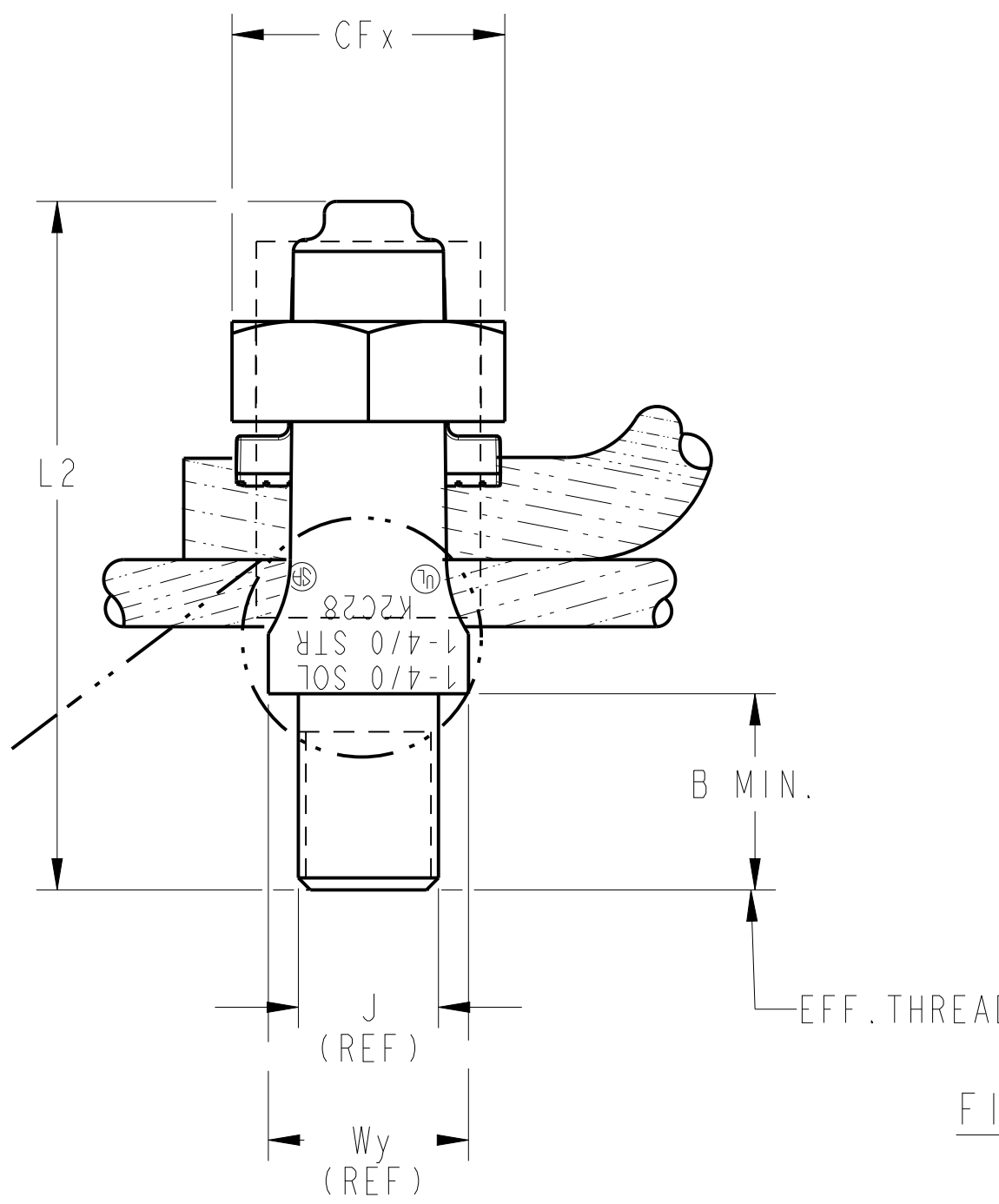
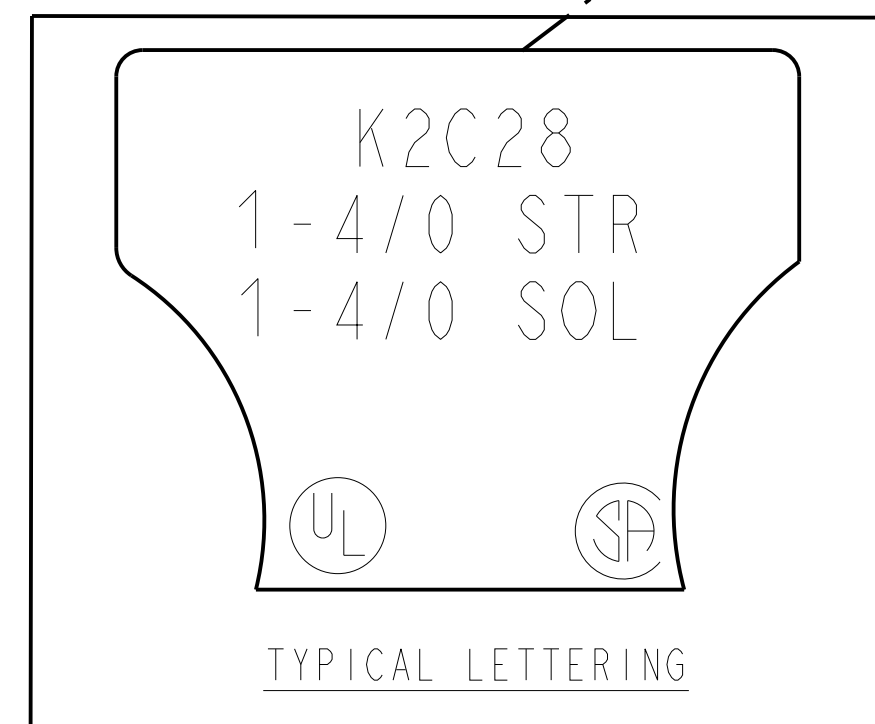


FIG. 3

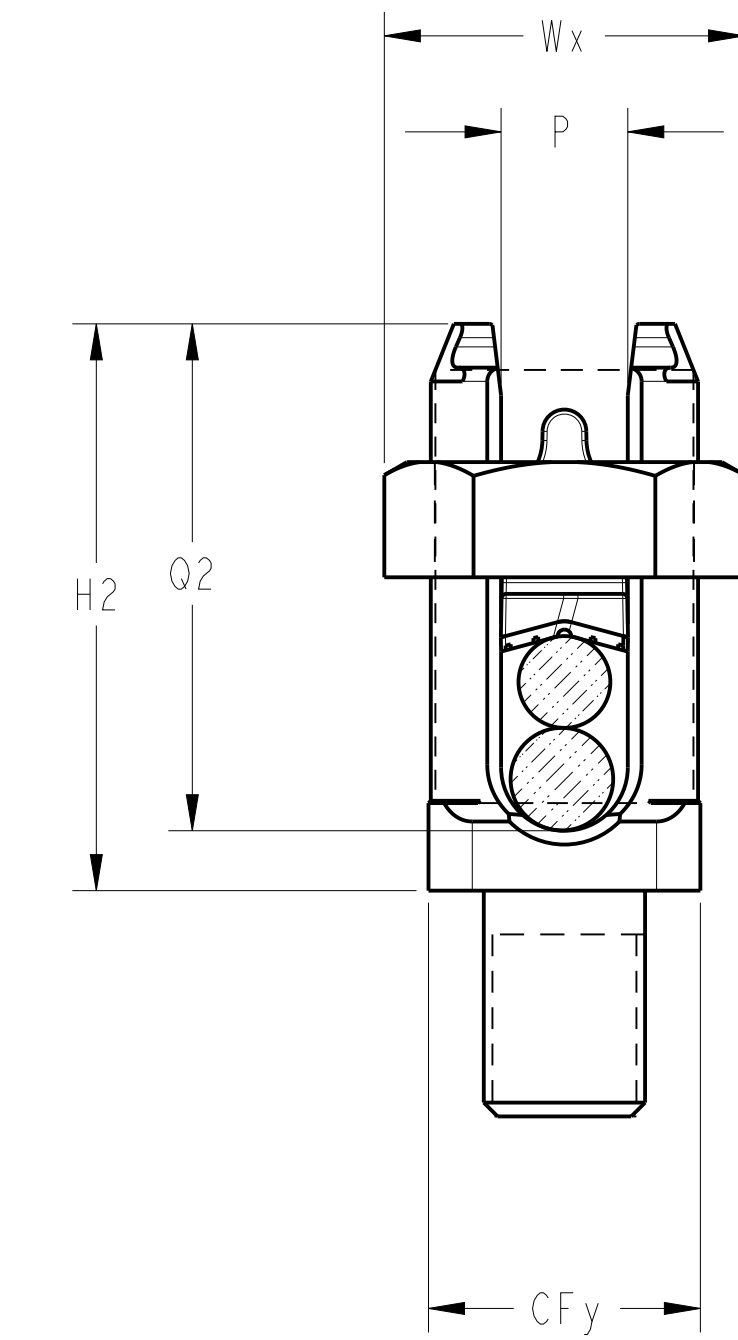


FIG. 4

NOTES:

1. MATERIAL: LEADED COMMERCIAL BRONZE (KC15-KC26).  
CAST COPPER ALLOY (KC28-KC44).
2. FINISH: NONE. ADD SUFFIX "TN" FOR TIN PLATING,  
ADD SUFFIX "NK" FOR NICKEL PLATING.
3. ALL ITEMS ARE LISTED TO UL 467, FILE E9999 AND CSA C22.2  
NO. 65, FILE 42861, UNLESS OTHERWISE NOTED.
4. DIMENSIONS IN [ ] BRACKETS ARE IN MILLIMETERS ROUNDED OFF  
TO THE NEAREST TENTH OF A MILLIMETER, UNLESS OTHERWISE  
NOTED AND ARE FOR REFERENCE ONLY.
5. THESE ITEMS ARE NOT UL467 LISTED. KC34 & K2C34 SERIES UL467  
LISTED FOR CONDUCTOR SIZES UP TO 300.
6. CATALOG NUMBER KC34J12T13 IS THE SAME AS THE KC34, EXCEPT  
THE KC34J12T13 HAS A 1/2-13 UNC-2A (J REF.) THREAD.
7. COMES IN BOX QTY OF 100.

TO ORDER BURNDY® PRODUCTS CALL		SERVIT POST™ (MALE)	
UNITED STATES 1-800-346-4175 (LONDONDERRY, NH)		ITEM NO: N/A	CAT. NO: KC--, K2C-- (TABLE)
CANADA: 1-800-361-6975 (QUEBEC) 1-800-387-6487 (ALL OTHER PROVINCES)		DRAWN BY: A. J. M. 4/16/94	CHECKER: L. S. T. 4/25/94
FOR PRODUCT INFO: <a href="http://www.burndy.com">http://www.burndy.com</a>		DSN APPVL: H. GOMES 09/14/17	MFG APPVL: P. MARTEL 09/15/17
		GA APPVL: C. LINDQUIST 09/19/17	MKT APPVL: P. WERTHMAN 4/94
		PROD FAM: --	DRAWING NO: SD055917
		PROJECT #: --	SCALE: 1:000
		DOCUMENT TYPE: Sales	REV: H
		REL LEVEL: Released	SHEET 2 OF 2

**BURNDY**