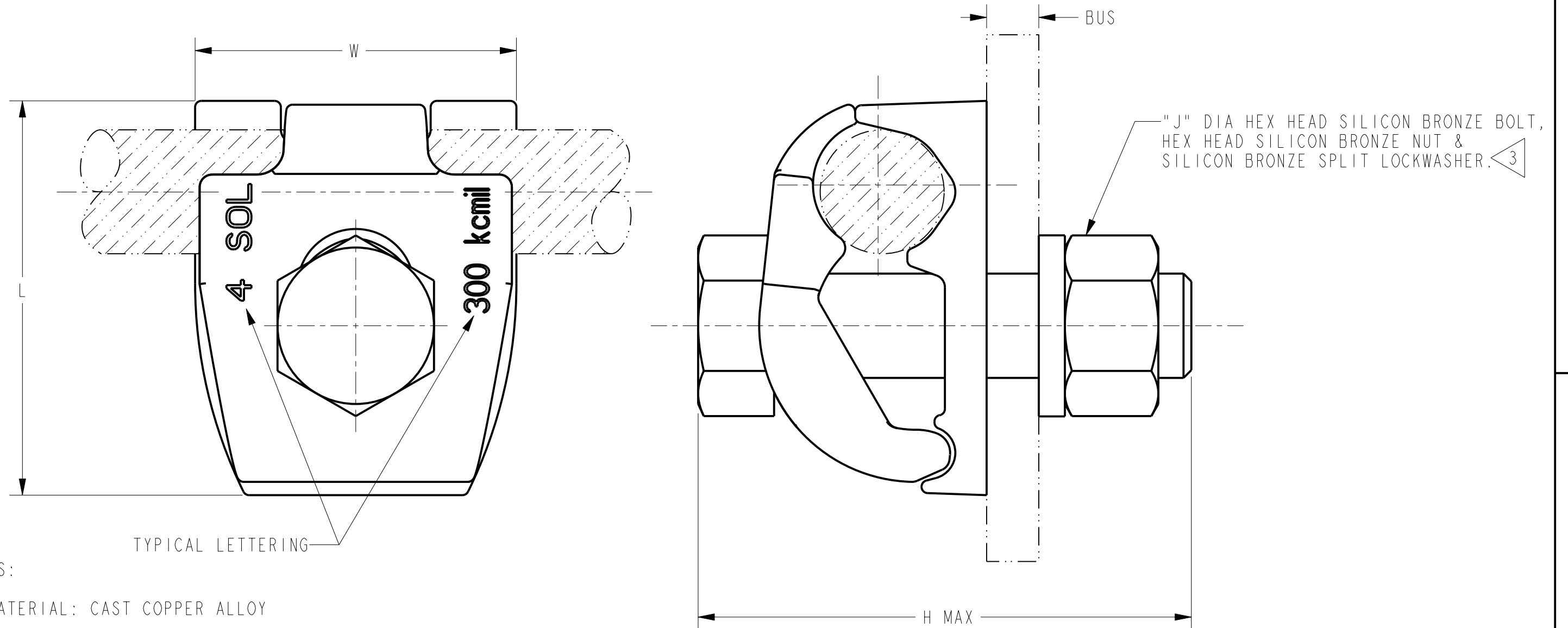


CATALOG NO.	ACCOMMODATES COPPER CABLE		BUS	H	"J" DIA.	L	W	REV.	DATE	DESCRIPTION	ECO	BY	C'H'K.
	AWG	METRIC						D	11/13/2013 00:00:00 AM	CORRECT CONDUCTOR RANGE FOR BOTH GBL30 AND GBL30GS	33974	BT	BSB
GBL30	4 SOL (.204 DIA) TO	23.8 mm ² (5.50 mm DIA.) TO	5/16" MAX. [8]	2.32 [59]	1/2-13 ---	1 7/8 [48]	1 1/2 [38]						
GBL30GS	300 kcmil (.630 DIA.)	150 mm ² (14 mm DIA.)											



NOTES:

- 1 MATERIAL: CAST COPPER ALLOY
- 2 DIMENSIONS IN BRACKETS [] DENOTES METRIC UNITS [SI UNITS] AND ARE ROUNDED TO THE NEAREST WHOLE NUMBER. UNLESS OTHERWISE SPECIFIED THESE UNITS SHALL BE USED FOR REFERENCE ONLY.
- 3 SUFFIX "GS" DENOTES GALVANIZED STEEL HARDWARE.
- 4 THE CATALOG NUMBER ACCOMMODATES THE INDICATED CABLE RANGE AND UP TO A 1/4" THICK BAR OPTIONAL BOLT LENGTHS AVAILABLE TO ACCOMMODATE UP TO A 1" THICK BAR. FOR BAR THICKNESS FROM 1/4" - 1/2" ADD SUFFIX "T4" TO THE CATALOG NUMBER. FOR BAR THICKNESS FROM 1/2" - 1" ADD SUFFIX "T8" TO THE CATALOG NUMBER.

TO ORDER BURNDY® PRODUCTS CALL		GROUND CONNECTOR	
UNITED STATES: 1-800-346-4175 (LONDONDERRY, NH)		ITEM NO: 264190, 26421U	4
CANADA: 1-800-361-6975 (QUEBEC) 1-800-387-6487 (ALL OTHER PROVINCES)		CAT. NO: GBL30, GBL30GS	
FOR PRODUCT INFO: http://www.burndy.com		DRAWN BY: N PRESSMAN 04.11.94	BURNDY
		CHECKER: K HENRY 04.11.94	
		DSN APPVL: L TROMBLEY 10/12/13	
		MFG APPVL: --	
		QA APPVL: J HILLMAN 10/11/13	
		MKT APPVL: P THERRIEN 10/10/13	
		PROJ FAM: --	
		PROJECT #: --	SCALE: 2:1
		DOCUMENT TYPE: Sales	DRAWING NO
		REL LEVEL: Released	REV
		SIZE B	SA209089-01
			SHEET 1 OF 1
			D

REV: PE0200