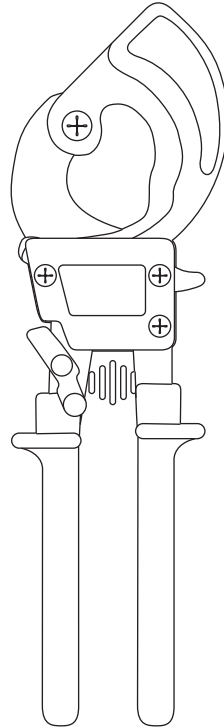


SERVICE BULLETIN




45206 and 45207 **Ratchet Cable Cutters** **45206I and 45207I** **Insulated Ratchet Cable Cutters**




Read and understand all of the instructions and safety information in this manual before operating or servicing this tool.

IMPORTANT SAFETY INFORMATION


All Models

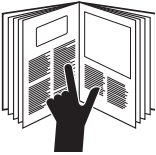
	<p>SAFETY ALERT SYMBOL</p>
<p>This symbol is used to call your attention to hazards or unsafe practices which could result in an injury or property damage. The signal word, defined below, indicates the severity of the hazard. The message after the signal word provides information for preventing or avoiding the hazard.</p>	
<p>⚠ DANGER</p>	
<p>Immediate hazards which, if not avoided, WILL result in severe injury or death.</p>	
<p>⚠ WARNING</p>	
<p>Hazards which, if not avoided, COULD result in severe injury or death.</p>	
<p>⚠ CAUTION</p>	
<p>Hazards or unsafe practices which, if not avoided, MAY result in injury or property damage.</p>	

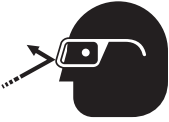
	<p>⚠ WARNING</p>
	<p>Keep hands and fingers clear of blades. Failure to observe this warning could result in severe injury or death.</p>

Note: Keep all decals clean and legible, and replace when necessary.

45206 and 45207 Only

	<p>⚠ WARNING</p>
	<p>Electric shock hazard: This tool is not insulated. Contact with live circuits could result in severe injury or death.</p>

	<p>⚠ WARNING</p>
	<p>Read and understand all of the instructions and safety information in this manual before operating or servicing this tool. Failure to observe this warning could result in severe injury or death.</p>

	<p>⚠ WARNING</p>
	<p>Wear eye protection when operating or servicing this tool. Failure to wear eye protection could result in serious eye injury from flying debris.</p>

All specifications are nominal and may change as design improvements occur. Greenlee Textron Inc. shall not be liable for damages resulting from misapplication or misuse of its products.

KEEP THIS MANUAL



IMPORTANT SAFETY INFORMATION

45206I and 45207I Only

- This insulated tool is designed and constructed only to provide added protection against injury by electrical shock from energized circuits with voltages up to 1000 volts AC.
- If there is any chance that tools could make contact with parts of an energized electrical installation, only use insulated tools marked with the international symbol.

 **1000 V**

- This insulated tool meets or exceeds ASTM F1505-07 and IEC 60900:2004. It is therefore clearly marked with the double triangle 1000 V symbol.

 WARNING	
	<p>Electric shock hazard:</p> <ul style="list-style-type: none">• Do not use on live electrical installations even if certified insulated tools are used.• Whenever possible, always de-energize lines and equipment before working on or around them.• Always wear necessary personal protective equipment.• Never make bodily/personal contact with the uninsulated (steel) portion of the tool when in use on or near potentially energized objects.• Visually inspect the insulated tool before every use. Do not use the tool if the insulation shows any cracks, cuts, or other damage.• Keep this insulated tool dry and clean of any contaminants that could reduce the insulating properties of the applied insulating materials. For cleaning, use mild detergents.• Store and transport this insulated tool separately from other tools in containers suitable to avoid damage to the insulation during transport or storage.• The ambient temperature for using and transporting this insulated tool should not exceed the limits of the relevant standards, approx. -20 °C to 70 °C (-4 °F to 158 °F).• The ambient room temperature for storing this insulated tool should be within the standardized limits for the use of those tools and should not long-term exceed regular limits of approx. 5 °C to 35 °C (41 °F to 95 °F). Protect this tool from sunlight during storage.
	<p>Failure to observe these warnings could result in severe injury or death.</p>

Specifications—45206 and 45206I

Length: 10" (254 mm)

Jaw Opening: 1-7/16" (36.5 mm)

Specifications—45207 and 45207I

Length: 11" (279 mm)

Jaw Opening: 2" (50 mm)

IMPORTANT

Do not cut ACSR or steel.

IMPORTANT

Do not cut ACSR or steel.

Capacity

	Maximum	Frequent Use
Copper	600 kcmil (MCM) (300 mm ²)	500 kcmil (MCM) (240 mm ²)
Aluminum	600 kcmil (MCM) (300 mm ²)	500 kcmil (MCM) (240 mm ²)
Communications Cable	1-3/8" diameter (35 mm ²)	—

Capacity

	Maximum	Frequent Use
Copper	750 kcmil (MCM) (400 mm ²)	600 kcmil (MCM) (300 mm ²)
Aluminum	1000 kcmil (MCM) (500 mm ²)	750 kcmil (MCM) (400 mm ²)
Communications Cable	2" diameter (50 mm ²)	—

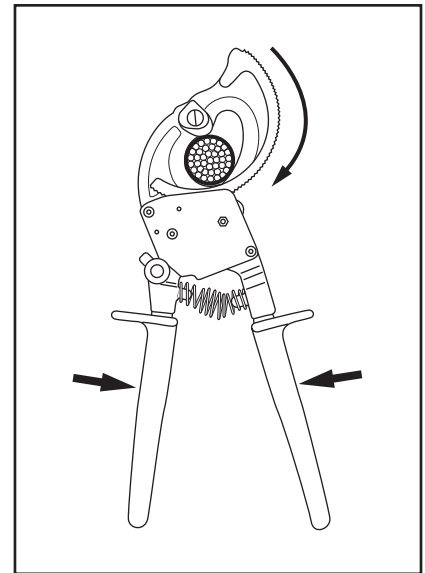
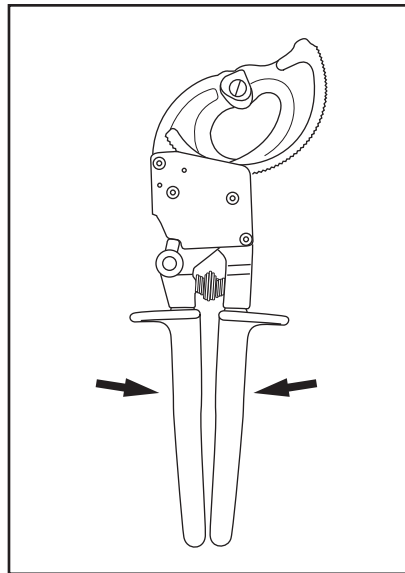
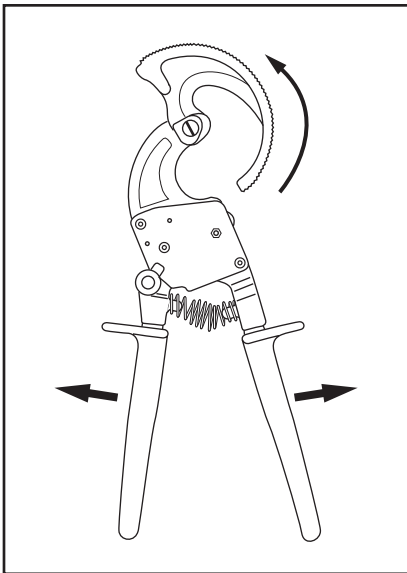
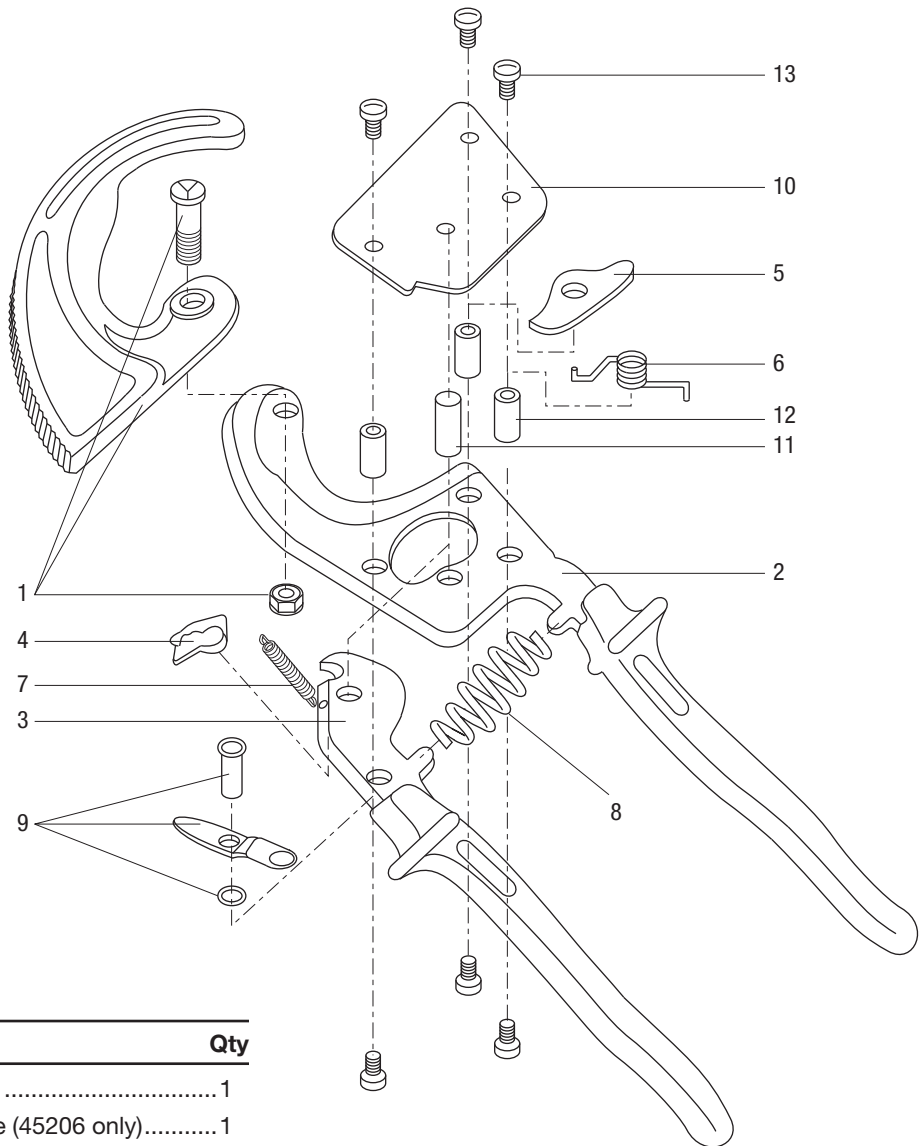
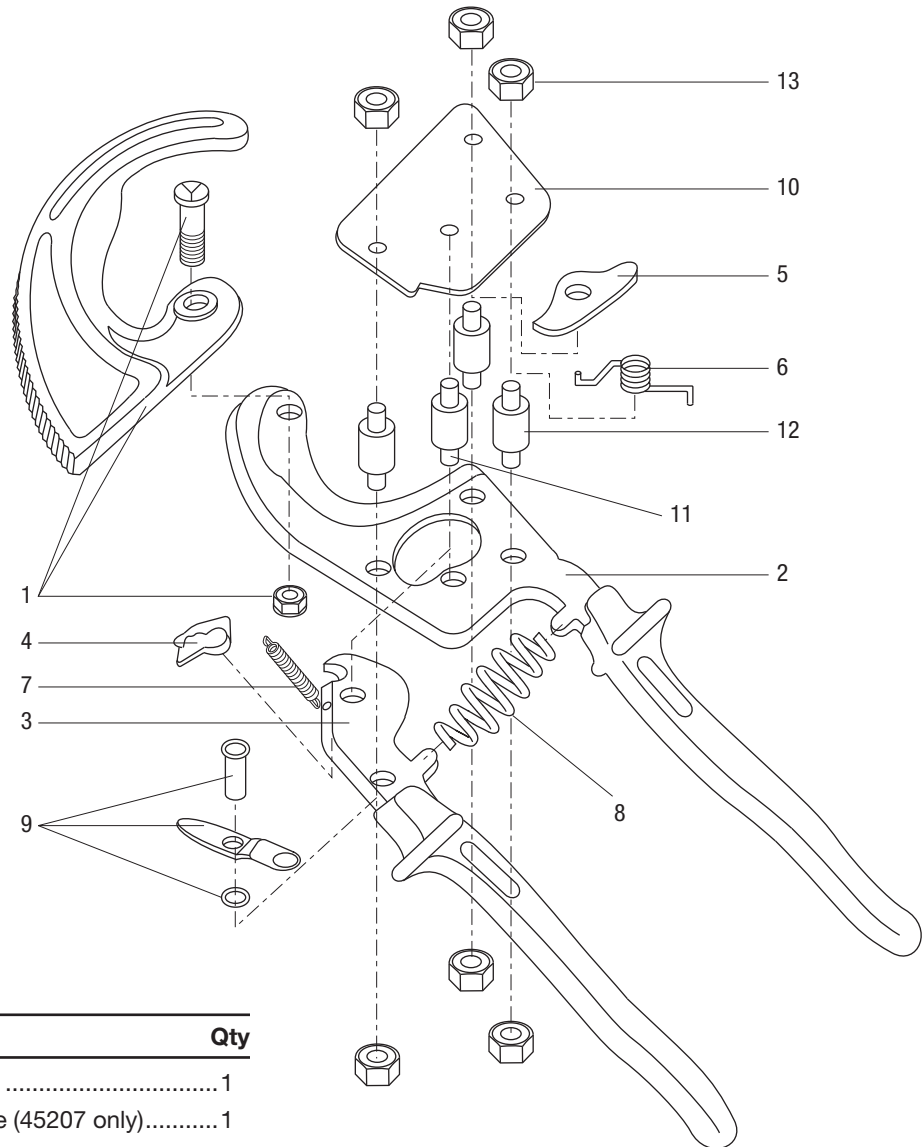


Illustration and Parts List—45206 and 45206I


Key	Part No.	Description	Qty
1	50452185	Movable blade set	1
2	50452120	Fixed blade/handle (45206 only).....	1
		Insulated fixed blade/handle (45206I only)*	1
3	50452171	Movable handle (45206 only).....	1
		Insulated movable handle (45206I only)*	1
4	50452371	Drive pawl	1
5	50452207	Release lever.....	1
6	50452215	Torsion spring	1
7	50452223	Pawl spring	1
8	50452163	Handle spring.....	1
9	50452231	Locking lever set.....	1
10	50452240	Front plate.....	1
11	50452258	Pivot pin.....	1
12	50452266	Threaded pin.....	3
13	50452274	Screw	6

*Not available

Illustration and Parts List—45207 and 45207I


Key	Part No.	Description	Qty
1	50452112	Movable blade set	1
2	50452282	Fixed blade/handle (45207 only).....	1
		Insulated fixed blade/handle (45207I only)*	1
3	50452171	Movable handle (45207 only).....	1
		Insulated movable handle (45207I only)*	1
4	50452371	Drive pawl	1
5	50452207	Release lever.....	1
6	50452215	Torsion spring	1
7	50452223	Pawl spring	1
8	50452163	Handle spring.....	1
9	50452231	Locking lever set.....	1
10	50452380	Front plate.....	1
11	50452258	Pivot pin.....	1
12	50452398	Threaded male pin	3
13	50452681	Nut	6

*Not available



USA 800-435-0786 Fax: 800-451-2632
 815-397-7070 Fax: 815-397-1865
 Canada 800-435-0786 Fax: 800-524-2853
 International +1-815-397-7070 Fax: +1-815-397-9247

4455 Boeing Drive • Rockford, IL 61109-2988 • USA • 815-397-7070
 An ISO 9001 Company • Greenlee Textron Inc. is a subsidiary of Textron Inc.

www.greenlee.com