

INSTALLATION INSTRUCTIONS

SAVE THESE INSTRUCTIONS

WARNING! Fixtures must be grounded and installed in accordance with the National Electrical Code and all local codes. Failure to do so may increase the **RISK OF PERSONAL INJURY, PROPERTY DAMAGE, FIRE AND DEATH.** Install and use where burnouts do not cause a hazard and use only in environments for which the product is specifically marked.

WARNING! This product contains chemicals known to the State of California to cause cancer, birth defects, and/or other reproductive harm. Thoroughly wash hands after installing, handling, cleaning, or otherwise touching this product.

CAUTION! Follow ALL luminaire recommendations, product markings, instructions, restrictions and warnings regarding luminaire operation and burning position. Luminaire label shows electrical and environmental requirements.

All electrical work must be done by a qualified electrician.

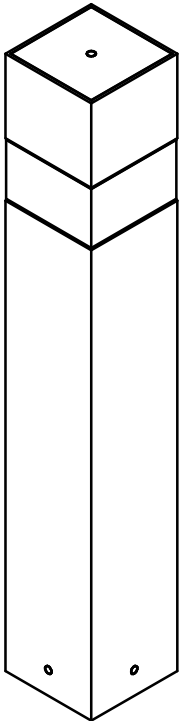
Turn off electric power to all affected circuits and allow to cool before servicing.

A regularly scheduled maintenance program should be established to retain optimum light output and reduce heat retention. Dusting with a soft, clean, dry cloth is normally sufficient. Any accumulation of dust or dirt should be removed regularly from the lens. Use only a mild soapy solution, DO NOT use alkaline or acid cleaners.

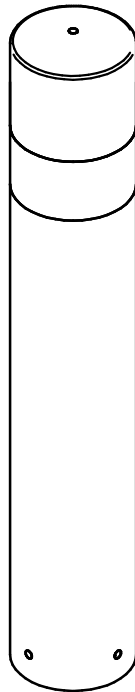
Carefully read these instructions before installing product. If you do not understand these instructions, before starting any work, contact your Hubbell Lighting distributor or techsupport@hubbell-ltg.com or (864) 678-1000

Give instructions to facility owner/manager for future reference.

FRESNO SQ.



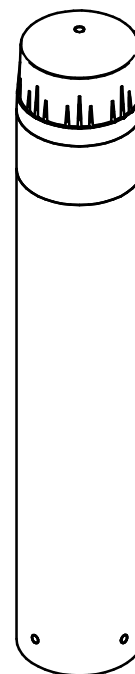
FRESNO RD.



TEMPE SQ.



TEMPE RD.



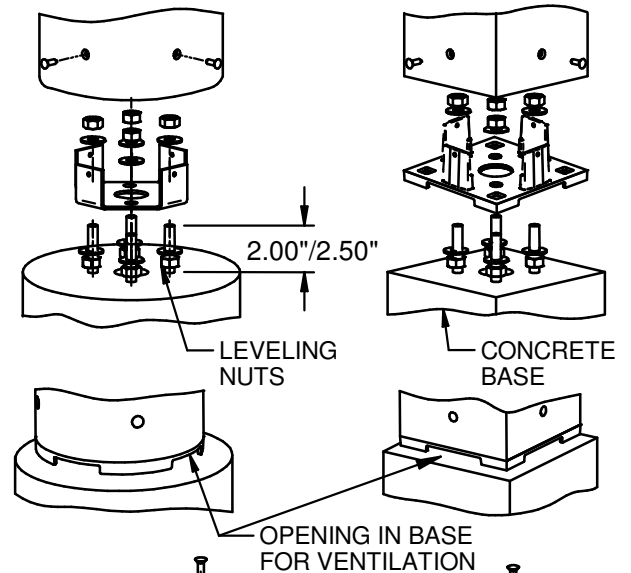
INSTALLATION INSTRUCTIONS

SAVE THESE INSTRUCTIONS LED BOLLARD LIGHT FIXTURES (FN1, FN2, TMS, TMR)

**WARNING: DISCONNECT POWER BEFORE INSTALLATION OR SERVICING
READ INSTRUCTIONS CAREFULLY - FAILURE TO DO SO COULD RESULT IN PERSONAL
INJURY. RETAIN INSTRUCTIONS FOR SERVICING.**

FIXTURE INSTALLATION

1. UNPACK LUMINAIRE AND CHECK FOR DAMAGE.
 2. PLACE BASE OVER PRESET ANCHOR BOLTS. BOLT PROJECTION ABOVE CONCRETE TO BE 2.00" MIN. TO 2.50" MAX. USE FLAT WASHERS AND HEX NUTS BOTH BELOW AND ABOVE THE BASE.
 3. LEVEL THE TOP SURFACE OF THE BASE BY ADJUSTING THE BOTTOM LEVELING NUTS.
 4. GROUT AT BOTTOM OF BASE AFTER LEVELING. DO NOT BLOCK ANY OPENINGS IN BASE USED FOR VENTILATION. TIGHTEN UPPER NUTS.
 5. MAKE WIRING CONNECTIONS.
 6. PLACE FIXTURE DOWN OVER BASE, LINING UP THREADED HOLES IN BASE WITH COUNTERSUNK HOLES IN FIXTURE HOUSING.
- LED LIGHT ARRAY CAN BE ADJUSTED BY LOOSENING THREE MOUNTING SCREWS (B)
 - ONCE LED LIGHT ARRAY IS POINTING IN THE DESIRED DIRECTION TIGHTEN MOUNTING SCREWS



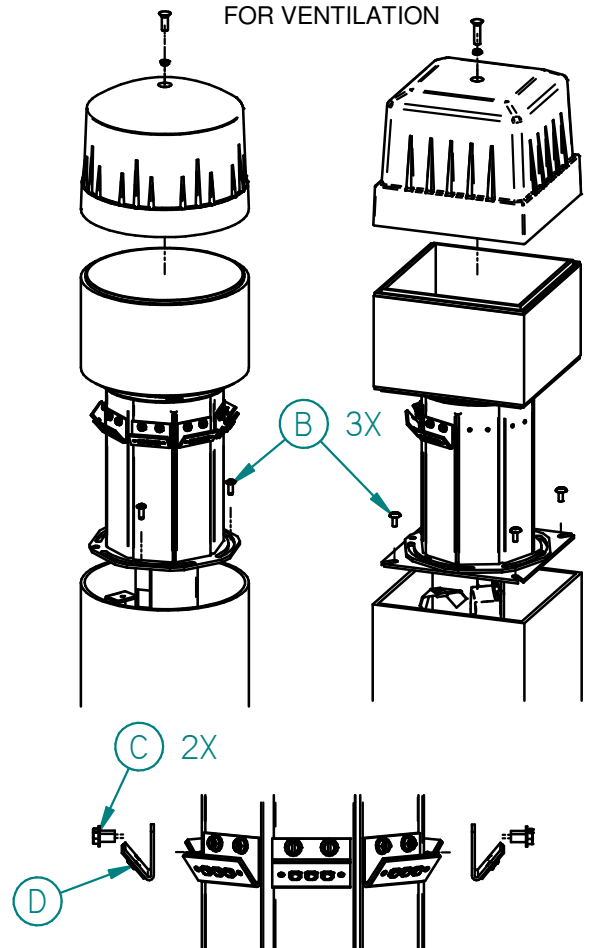
BEFORE ENERGIZING LED MAKE CERTAIN THAT:

- LINE VOLTAGE CORRESPONDS TO BALLAST
- LED LIGHT ARRAY IS POINTING IN DESIRED DIRECTION.

LED RELAMPING INSTRUCTIONS

1. REMOVE CAP BY LOOSENING ALLEN SOCKET SCREW AND SEALING WASHER.
2. DISCONNECT LED LEADS FROM BALLAST.
3. REPLACE LED BOARDS BY REMOVING TWO MOUNTING SCREWS (C) FROM EACH BRACKET (D)
4. REVERSE ABOVE PROCEDURE TO RE-ASSEMBLE FIXTURE BEING SURE SEALING WASHER IS ON SCREW.

NOTE: HEAD OF SCREW WILL NOT BE FLUSH WITH TOP OF HOUSING DUE TO SEALING WASHER. DO NOT OVERTIGHTEN TOP ALLEN HEAD SOCKET SCREW.



93062553_A
05/07/2015