

# FRESNO SERIES

Cat.#

Job

Type



**HUBBELL**  
Outdoor Lighting

Approvals

**INTENDED USE:**

- Fresno series bollards are designed to illuminate walkways and courtyards

**CONSTRUCTION:**

- Extruded aluminum 6061 alloy square or round housing, with tamper resistant hardware; flat top, for round FN2.
- Single screw access for service and maintenance
- Sealed one-piece, clear acrylic lens; Specular, anodized aluminum optical systems
- Concealed, cast aluminum 360 alloy anchor base; Four 1/2" x 10" anchor bolts
- Durable Lektrocote® TGIC thermoset polyester powder coat paint finish assures long life and maintenance-free service

**ELECTRICAL:**

- Universal voltage (120-277V, 50/60Hz) drivers with +/- 10% tolerance, starting temperature rated at -20°F
- Optional continuous dimming to 10% (0-10V)
- Rotatable LED assembly adjustment for ideal placement and aiming of asymmetric light pattern
- Available in 5000K, 4000K, 3000K CCT and Monochromatic Amber
- Long life >60,000 hour L90 rated at 25°C

**LISTINGS:**

- Listed to UL1598 for use in wet locations

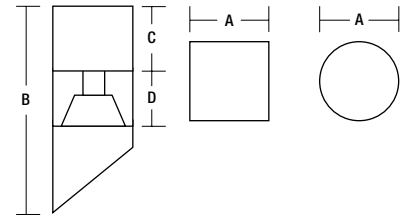
**WARRANTY:**

- Five year limited warranty (for more information visit: <http://www.hubbelloutdoor.com/resources/warranty/>)

**PRODUCT IMAGE(S)**



**DIMENSIONS**



	A	B	C	D	Weight
<b>FN1</b>	6.75" sq.	42.0"	6.0"	4.0"	41 lbs
	171 mm	1067 mm	152 mm	102 mm	19 kg
<b>FN2</b>	7.0" dia	42.0"	6.0"	4.0"	41 lbs
	178 mm	1067 mm	152 mm	102 mm	19 kg

**CERTIFICATIONS/LISTINGS**



**ORDERING INFORMATION**

ORDERING EXAMPLES: FN2-12LU-3K-U-DB-CD-DM-36-ABS

SERIES	LED	VOLTAGE	CCT	FINISH	OPTIONS <sup>1</sup>
<b>FN1</b> Fresno Square	<b>12L</b> asymmetric, 27W	<b>U</b> 120V-277V	<b>3K</b> 3000K	<b>DB</b> Dark Bronze	<b>CD</b> 0-10V dimmable
<b>FN2</b> Fresno Round	<b>24L</b> symmetric, 41W <sup>4</sup>	<b>1</b> 120	<b>4K</b> 4000K	<b>BL</b> Black	<b>24</b> 24" OAH <sup>2</sup>
		<b>2</b> 277	<b>5K</b> 5000K	<b>WH</b> White	<b>30</b> 30" OAH <sup>2</sup>
		<b>3</b> 240	<b>AM</b> Amber 590nm <sup>4</sup>	<b>GR</b> Gray	<b>36</b> 36" OAH <sup>2</sup>
		<b>4</b> 277		<b>PS</b> Platinum Silver	<b>DM</b> Dome Top (FN2 only)
		<b>5</b> 480		<b>RD</b> Red (premium color)	<b>F(X)</b> Fusing <sup>3</sup>
		<b>F</b> 347		<b>FG</b> Forest Green (premium color)	<b>P(X)</b> Button Photocell <sup>3</sup>
				<b>CC</b> Custom Color (consult factory)	<b>ABS</b> Bolts shipped ahead

1 Any or all options may be used together  
 2 Standard fixture height is 42", only one overall height (OAH) may be selected  
 3 Replace '(X)' with corresponding voltage (1=120, 2=208, 3=240, 4=277, 5=480, 6=347), Button Photocell not available in 480V  
 4 24L only, 20W

# PERFORMANCE DATA

# OF LEDES	DRIVE CURRENT	SYSTEM WATTS	5K (5000K nominal, 70 CRI)					4K (4000K nominal, 70 CRI)					3K (3000K nominal, 80 CRI)					AM (560nm Mono Amber)				
			LUMENS	LPW <sup>1</sup>	B	U	G	LUMENS	LPW <sup>1</sup>	B	U	G	LUMENS	LPW <sup>1</sup>	B	U	G	LUMENS	LPW <sup>1</sup>	B	U	G
FN1	12	Type III	761	28	0	2	0	654	24	0	2	0	635	24	0	2	0					
	24	Type V	1580	39	1	2	0	1443	35	1	2	1	1399	34	1	2	0	215	11	0	1	0
FN2	12	Type III	1095	41	0	2	0	941	35	0	2	0	914	34	0	2	0					
	24	Type V	1955	48	1	2	0	1787	44	1	2	1	1725	42	1	2	0	314	16	0	1	0

## ELECTRICAL DATA

LEDES	# LEDES	DRIVE CURRENT (mA)	SYSTEM POWER (W)	INPUT VOLTAGE (V)	INPUT CURRENT (A)
3K 4K 5K	12	700	27	120	0.2
				208	0.1
				240	0.1
				277	0.1
				347	0.1
	24	520	41	120	0.3
				208	0.2
				240	0.2
				277	0.1
				347	0.1
AM	24	260	20	120	0.2
				208	0.1
				240	0.1
				277	0.1
				347	0.1
				480	0.04

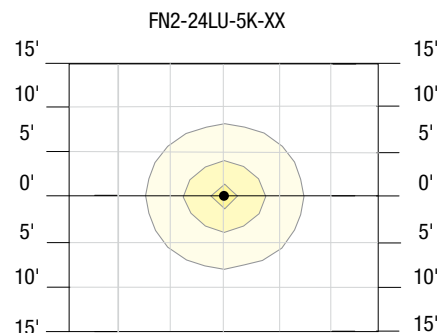
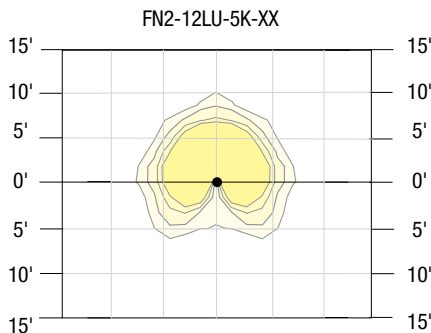
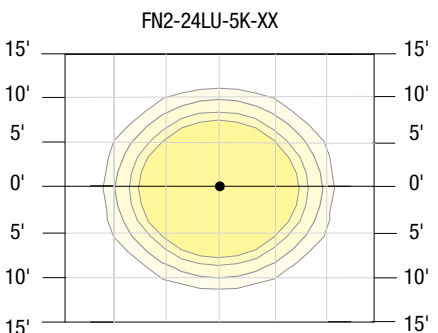
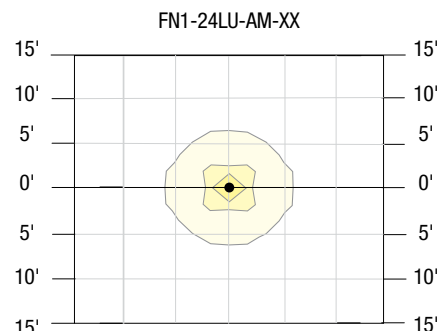
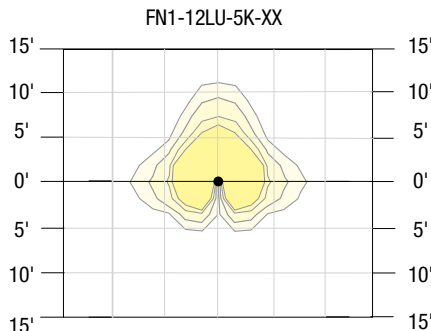
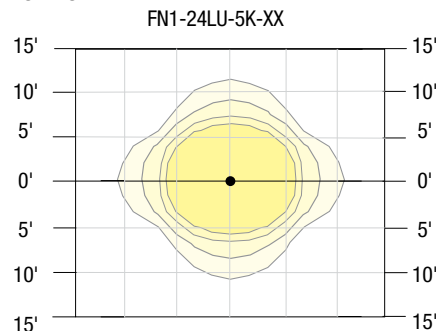
## PROJECTED LUMEN MAINTENANCE

AMBIENT TEMPERATURE	LUMEN MULTIPLIER
25°C / 77°F	>60 Khrs

Projected per IESNA TM-21-11

AMBIENT TEMPERATURE	LUMEN MULTIPLIER	
0°C	32°F	1.02
10°C	50°F	1.01
20°C	68°F	1.00
25°C	77°F	1.00
30°C	86°F	0.98
40°C	104°F	0.98

## ELECTRICAL DATA



**HUBBELL**  
Outdoor Lighting

Hubbell Outdoor Lighting • 701 Millennium Boulevard • Greenville, SC 29607 • Phone: 864-678-1000  
Due to our continued efforts to improve our products, product specifications are subject to change without notice.



**HUBBELL**  
Lighting

© 2018 HUBBELL OUTDOOR LIGHTING, All Rights Reserved • For more information visit our website: [www.hubbelloutdoor.com](http://www.hubbelloutdoor.com) • Printed in USA **FN1/FN2-SPEC** January 23, 2018 2:04 PM