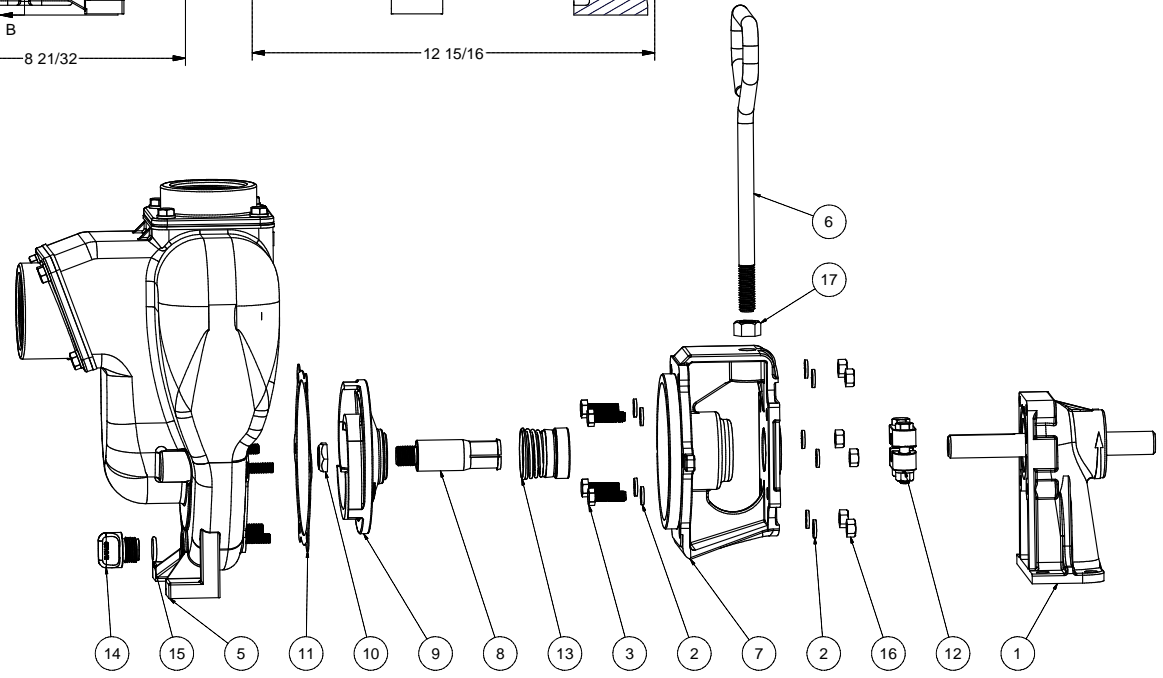


Parts List			
ITEM	QTY	PART NUMBER	DESCRIPTION
1	1	12882A	BEARING PEDESTAL
2	10	V10118	5/16" LOCKWASHER
3	4	17040	5/16-24 X 1" HHCS
4	1	12910	DECAL (N/S)
5	1	17126	2" PUMP HOUSING ASSY
6	1	15022	2" PUMP HANDLE
7	1	17004	GAS ENGINE ADAPTER
8	1	17006	ADAPTER SHAFT
9	1	17008	PUMP IMPELLER
10	1	17009B	5/8-18 IMPELLER NUT
11	1	17018	PUMP ADAPTER GASKET
12	1	17123	CI PUMP KEYED CLAMP
13	1	17135	MECH. SEAL ASSY.
14	1	12777	1/2" DRAIN PLUG
15	1	UV15163	2-114 O'RING
16	6	V10119	5/16" HEX NUT
17	1	17010	1/2-13 HEX NUT



THIS DRAWING AND ALL INFORMATION CONTAINED THEREON ARE THE EXCLUSIVE PROPERTY OF BANJO CORPORATION.
UNLESS SPECIFICALLY NOTED, THIS DRAWING AND ITEMS SHOWN ON THIS DRAWING ARE SUBJECT TO CHANGE AT ANY TIME.



BANJO CORPORATION
150 BANJO DRIVE, CRAWFORDSVILLE, IN 47933
WEB SITE: WWW.BANJOCORP.COM
E-MAIL: SALES1@BANJOCORP.COM

DESCRIPTION	2" CI PUMP W/ BEARING PED.
PART NUMBER	200PBI