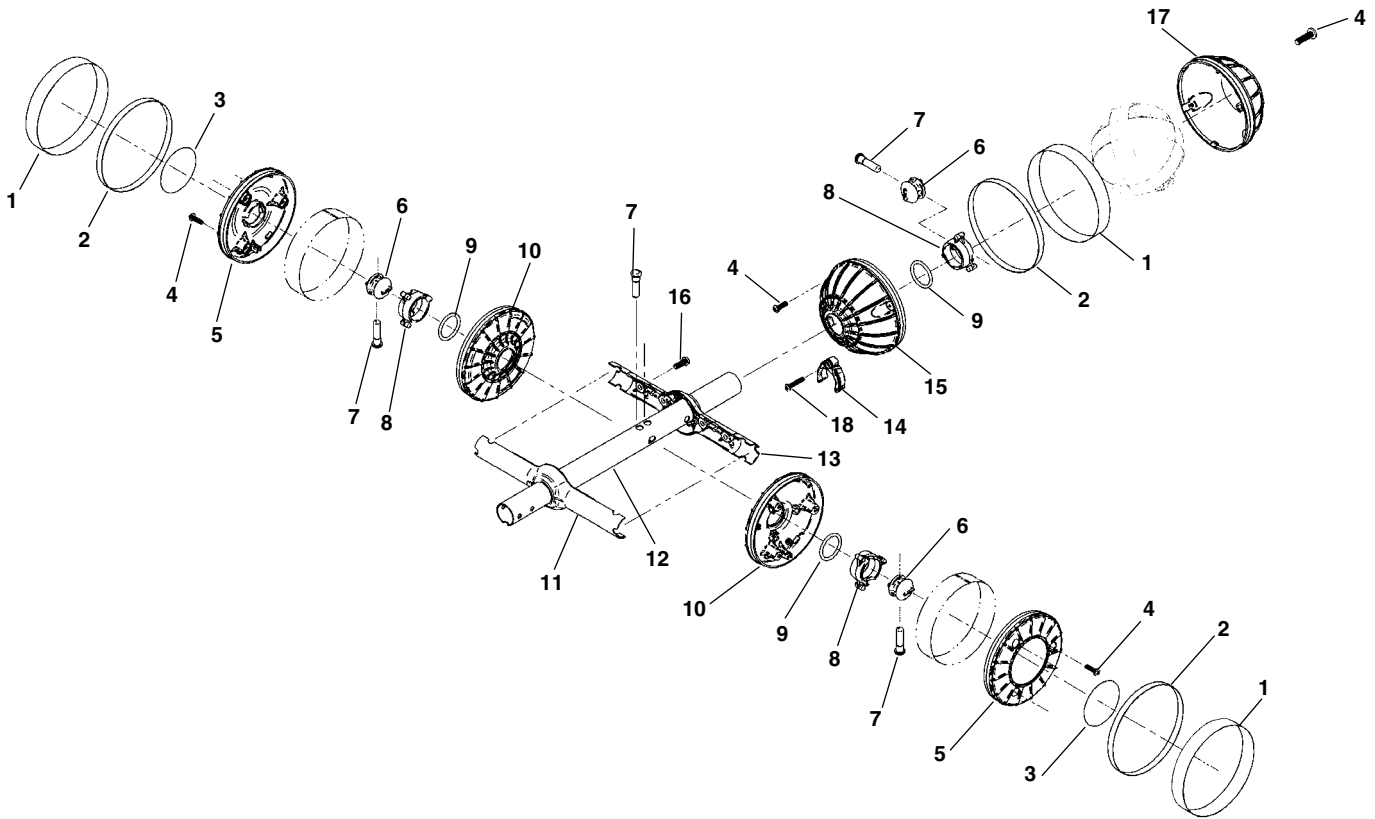


**NOTE: Order parts by Catalog Number only.  
DO NOT order by Reference Number.**

<b>Ref. No.</b>	<b>Catalog No.</b>	<b>Description</b>
1	24413	Screw #6 x 1/2"
2	24328	Top Antenna Shell
3	24358	O-Ring
4	24318	Antenna Pin Ring
5	24373	Pin
6	24313	Antenna Ball Label
7	24363	Double Sided Tape Roll
8	24378	Top Tube
9	24408	Screw #8 x 1"
10	24403	Screw #8 x 1/2"
11	23663	Outer Pivot Assembly
12	23593	Pivot Latch
13	23603	Latch Spring
14	23598	Wire Reel
15	23588	Center Pivot
16	23628	Rear Pivot Cover
17	23613	Seal

**NOTE: Parts Are Identical Between SR-20 & Scout Locators Unless Specifically Noted.**



**NOTE: Order parts by Catalog Number only.  
DO NOT order by Reference Number.**

Ref. No.	Catalog No.	Description
1	24313	Antenna Ball Label (SR-20)
	34858	Antenna Ball Label (Scout)
2	24363	Double Sided Tape Roll
3	24478	Side Antenna Label (SR-20)
4	24413	Screw #6 x 1/2"
5	24343	Gradient Antenna Shell (Outer) (SR-20)
6	23613	Seal
7	24373	Rivet
8	24318	Antenna Pin Ring
9	24358	O-Ring
10	24348	Gradient Antenna Shell (Inner) (SR-20)
11	24353	Top Tube Bracket (SR-20)
12	24308	Bottom Tube
13	24338	Bottom Tube Bracket (SR-20)
14	24333	Tube Lock
15	24328	Top Antenna Shell
16	24403	Screw #8 x 1/2"
17	24323	Bottom Antenna Shell
18	24368	Screw #6 x 3/4"
<b>Item Not Shown</b>		
	34863	Peg Chip Holder

**NOTE: Parts Are Identical Between SR-20 & Scout Locators Unless Specifically Noted.**