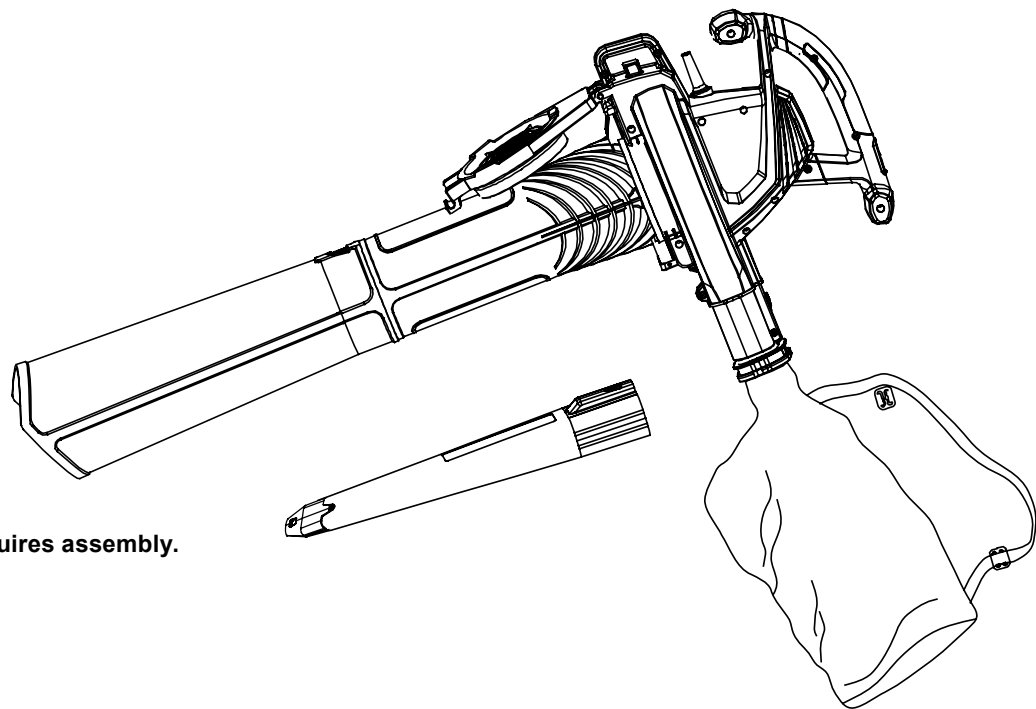


*Please read and save these instructions. Read through this owner's manual carefully before using product. Protect yourself and others by observing all safety information, warnings, and cautions. Failure to comply with instructions could result in personal injury and/or damage to product or property. Please retain instructions for future reference.*



## 12 AMP ELECTRIC BLOWER/MULCHER



### Unpacking

This product requires assembly.

### Packing list:

- Electric blower
- Blower tube
- Mulcher tubes
- Bag
- Operator's Manual

After unpacking unit, inspect carefully for any damage that may have occurred during transit. Check for loose, missing, or damaged parts. Shipping damage claim must be filed with carrier.

### Specifications and Dimensions

Model	Air velocity Two Speed (MPH)	Mulch ratio	Collection bag capacity (Bushel )	Dimensions (Inches)			Weight (Lbs)
				Length	Width	Height	
20X615	230/150	14:1	1.2	18.89	10.83	12.59	9.26





## 12 amp Electric Blower/Mulcher

### General Safety Information

#### READ AND UNDERSTAND ALL INSTRUCTIONS.

Failure to follow all instructions listed below may result in electric shock, fire, and/or serious personal injury.

#### READ THESE INSTRUCTIONS BEFORE USING THE BLOWER

- Do not operate power tools in explosive atmospheres, such as in the presence of flammable liquids, gases, or dust. Power tools create sparks which may ignite the dust or fumes.
- Avoid body contact with grounded surfaces such as pipes, radiators, ranges, and refrigerators. There is an increased risk of electric shock if your body is grounded.
- Don't expose power tools to rain or wet conditions. Water entering a power tool will increase the risk of electric shock.
- Do not expose to rain; store indoors.
- **Do not handle plug or tool with wet hands.**
- Use outdoor extension cords marked W-A, W, SW-A, SOW-A, STW-A, STOW-A, SJW-A, SJTW-A, or SJTOW-A. These cords are rated for outdoor use and reduce the risk of electric shock.
- Never allow children to operate the equipment. Never allow adults to operate the equipment without proper instruction.
- Keep all bystanders, children, and pets at least 50 ft. away.
- Always wear safety glasses with side shields marked to comply with ANSI Z87.1. Everyday glasses have only impact resistant lenses. They are NOT safety glasses. Following this rule will reduce the risk of eye injury. Use face mask if operation is dusty.
- Wear eye protection which is marked to comply with ANSI Z87.1 when operating this product.
- Use extra care when cleaning on stairs.
- Do not leave appliance plugged in. Unplug from outlet when not in use and before servicing.
- Use only as described in this manual. Use only manufacturer's recommended attachments.
- Use only identical manufacturer's replacement parts and accessories. Use of any other parts may create a hazard or cause product damage.
- Keep hair, loose clothing, fingers and all body parts away from openings and moving parts.
- Secure long hair so it is above shoulder level to prevent entanglement in any moving parts.
- Wear heavy long pants, boots, and gloves. Avoid loose garments or jewelry that could get caught in moving parts of the machine or its motor.
- Do not operate the equipment while barefoot or when wearing sandals or similar lightweight footwear. Wear protective footwear that will protect your feet and improve your footing on slippery surfaces.
- Do not force tool. Use the correct tool for your application. The correct tool will do the job better and safer at the rate for which it is designed.
- Keep firm footing and balance. Do not overreach. Overreaching can result in loss of balance.
- Turn off all controls before unplugging.
- Avoid accidental starting. Be sure the power switch is not on before plugging in. Turn off power switch before unplugging.
- Do not use tool if switch does not turn it on or off. Any tool that cannot be controlled with the switch is dangerous and must be repaired.
- Do not use with damaged plug. If tool is not working as it should or has been dropped, damaged, left outdoors, or dropped into water, return it to an authorized service center.
- Do not operate this unit when you are tired, ill, or under the influence of alcohol, drugs, or medication.
- Do not operate in poor lighting.
- Keep all parts of your body away from any moving parts and all hot surfaces of the unit.
- Do not put any object into openings. Do not use with any opening blocked; keep openings free of dust, lint, hair, and anything that may reduce air flow.
- Check the work area before each use. Remove all objects such as rocks, broken glass, nails, wire, or string which can be thrown or become entangled in the machine.
- Do not pull or carry by cord, do not use cord as a handle, do not close a door on a cord, or do not pull cord around sharp edges or corners. Do not run appliance over cord. Keep cord away from heated surfaces.
- Do not unplug by pulling on cord. To unplug, grasp the plug, not the cord.
- Do not handle plug or appliance with wet hands.
- Do not use with damaged cord or plug. If appliance is not working as it should, has been dropped, damaged, left outdoors, or dropped into water, return it to a service center.
- If the power supply cord is damaged, it must be replaced only by the manufacturer or by an authorized service center to avoid risk.
- Service on the product must be performed by qualified repair personnel only. Service or maintenance performed by unqualified personnel could result in injury to the user or damage to the product.

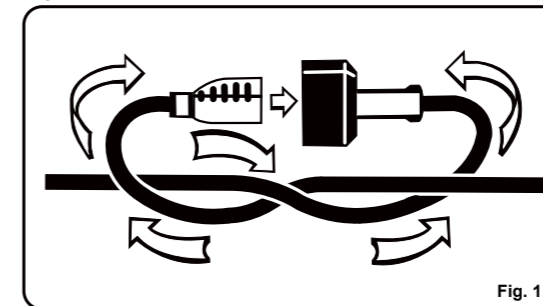


## 12 amp Electric Blower/Mulcher

- In a double insulated appliance, two systems of insulation are provided instead of grounding. No grounding means is provided on a double insulated appliance, nor should a means for grounding be added to the appliance. Servicing a double insulated appliance requires extreme care and knowledge of the system and should be done only by qualified service personnel. Replacement parts for a double insulated appliance must be identical to the parts they replace.
- Not intended for commercial use.

### Specific Safety Rules For Blower

- Extension Cord – To reduce the risk of disconnection of appliance cord from the extension cord during operating, it is possible to tie the extension cord and power cord in a knot to prevent them from becoming disconnected during use. Make the knot as shown in figure 1, then connect the plug end of the power cord into the receptacle end of the extension cord. This method can also be used to tie two extension cords together.



- Make sure your extension cord is in good condition. When using an extension cord, be sure to use one heavy enough to carry the current your product will draw. A wire gauge size (A.W.G.) of at least 14 is recommended for an extension cord 50 feet or less in length. If in doubt, use the next heavier gauge. The smaller the gauge number, the heavier the cord. An undersized cord will cause a drop in line voltage resulting in loss of power and overheating.
- Do not point the blower nozzle in the direction of people or pets.
- Never run the unit without the proper equipment attached. Always ensure the blower tubes are installed.
- When not in use, blower should be stored indoors in a dry, locked up place—out of the reach of children.
- Maintain tool with care. Keep fan area clean for best and safest performance. Follow instructions for proper maintenance.
- Do not attempt to clear clogs from tool without first unplugging it.

- Do not pull or carry by cord, do not use cord as a handle, or do not pull cord around sharp edges or corners. Keep cord away from heated surfaces. Do not unplug by pulling on cord. To unplug, grasp the plug, not the cord.
- To reduce the risk of electrical shock, do not expose to rain, do not use on wet surfaces. Store indoors.
- If the power supply cord is damaged, it must be replaced only by the manufacturer or by an authorized service center to avoid risk.
- Save these instructions. Refer to them frequently and use them to instruct others who may use this power tool. If you loan someone this power tool, loan them these instructions also.

### WHILE OPERATING UNIT AS A BLOWER

- Never point the blower in the direction of people or pets or in the direction of windows. Use extra caution when blowing debris near solid objects such as trees, automobiles and walls.

### WHILE OPERATING UNIT AS A MULCHER

- Avoid situations that could catch the bag on fire. Do not operate near an open flame. Do not mulch warm ash from fireplaces, barbecue pits, brush piles, etc. Do not mulch discarded cigars or cigarettes unless the cinders are completely cool.
- The unit is designed to pick up dry material such as leaves, grass, small twigs, and bits of paper. Do not attempt to mulch wet debris and/or standing water, because this may result in damage to the blower/mulcher. To avoid severe damage to the impeller, do not mulch metal, rocks or broken glass.

### OTHER SAFETY WARNINGS

- Be sure to secure the unit while transporting.
- Store the unit in a dry area, locked up to prevent unauthorized use or damage, and stored in a high place out of the reach of children.
- Never douse or squirt the unit with water or any other liquid. Keep handles dry, clean and free from debris. Clean after each use. See the Cleaning and Storage instructions.
- Keep these instructions. Refer to them often and use them to instruct other users. If you loan someone this unit, also loan them these instructions.



**WESTWARD** 12 amp Electric Blower/Mulcher

**PROPOSITION 65**

**WARNING**

Some dust created by power sanding, sawing, grinding, drilling, and other construction activities contains chemicals known to cause cancer, birth defects or other reproductive harm. Some examples of these chemicals are:

- Lead from lead-based paints
- Crystalline silica from bricks and cement and other masonry products
- Arsenic and chromium from chemically-treated lumber












Your risk from these exposures varies, depending on how often you do this type of work. To reduce your exposure to these chemicals: work in a well ventilated area, and work with approved safety equipment, such as dust masks that are specially designed to filter out microscopic particles.

**SAVE THESE INSTRUCTIONS**

**WESTWARD** 12 amp Electric Blower/Mulcher

**Symbol**

Some of the following symbols may be used on this product. Please study them and learn their meaning. Proper interpretation of these symbols will allow you to operate the product better and safer.

SYMBOL	NAME	DESIGNATION/EXPLANATION
V	Volts	Voltage
A	Amperes	Current
Hz	Hertz	Frequency (cycles per second)
W	Watts	Power
min	Minutes	Time
~	Alternating Current	Type of current
	Class II Construction	Double-insulated construction
	No Load Speed	Rational speed, at no load
/min	Per Minute	Revolutions, strokes, surface speed, orbits etc., per minute
	Wet Conditions Alert	Do not expose to rain or use in damp locations
	Read The Operator's Manual	To reduce the risk of injury user must read and understand operator's manual before using this product.
	Eye and Ear Protection	Wear eye and ear protection when operating this equipment.
	Safety Alert	Precautions that involve your safety.
	Long Hair	Failure to keep long hair away from the air inlet could result in personal injury.
	Loose Clothing	Failure to keep loose clothing from being drawn into air intake could result in personal injury.
	Keep Bystanders Away	Keep all bystanders at least 50 ft. away.
	Blower Tubes	Do not operate without tubes in place.
	Rotating Fans.	Keep hands and feet out of the openings while the machine is running.

**WESTWARD** 12 amp Electric Blower/Mulcher

The following signal words and meanings are intended to explain the levels of risk associated with this product.

SYMBOL	SIGNAL	MEANING
	<b>DANGER</b>	Indicates an imminently hazardous situation, which, if not avoided, will result in death or serious injury.
	<b>WARNING</b>	Indicates a potentially hazardous situation, which, if not avoided, could result in death or serious injury.
	<b>CAUTION</b>	Indicates a potentially hazardous situation, which, if not avoided, may result in minor or moderate injury.
	<b>CAUTION</b>	(Without Safety Alert Symbol) Indicates a situation that may result in property damage.

**SERVICE**

Servicing requires extreme care and knowledge and should be performed only by a qualified service technician. For service return the product to the nearest **AUTHORIZED SERVICE CENTER** for repair. When servicing, use only identical replacement parts.

**WARNING**

To avoid serious personal injury, do not attempt to use this product until you read thoroughly and understand completely the operator's manual. If you do not understand the warnings and instructions in the operator's manual, do not use this product. Call WESTWARD customer service for assistance.

**WARNING**

The operation of any power tool can result in foreign objects being thrown into your eyes, which can result in severe eye damage. Before beginning power tool operation, always wear safety goggles or safety glasses with side shields and, when needed, a full face shield. We recommend Wide Vision Safety Mask for use over eyeglasses or standard safety glasses with side shields. Always use eye protection which is marked to comply with ANSI Z87.1.

**WESTWARD** 12 amp Electric Blower/Mulcher

**Electrical**

\*\*Ampere rating (on tool faceplate)

**MINIMUM GAUGE FOR EXTENSION CORDS (AWG)**  
(WHEN USING 120V ONLY)

Amp Rating		Total Length of Cord in Feet (meters)			
More Than	Not More Than	25' (7.6 m)	50' (15 m)	100' (30.4 m)	150' (45.7 m)
0	6	18	16	16	14
6	10	18	16	14	12
10	12	16	16	14	12
12	16	14	12	Not Recommended	

**WARNING**

**THIS BLOWER/VAC IS FOR OUTDOOR USE ONLY. DO NOT EXPOSE TO RAIN OR USE IN DAMP LOCATIONS.**

**GUIDELINES FOR USING EXTENSION CORDS: USE THE PROPER EXTENSION CORD.**

Make sure your extension cord is in good condition. When using an extension cord, be sure to use one of heavy enough gauge to carry the current your product will draw. An undersized cord will cause overheating. The table below shows the correct size to use depending on cord length and nameplate ampere rating. If in doubt, use the next heavier gauge. The smaller the gauge number, the heavier the cord.

Make sure your extension cord is properly wired and in good electrical condition. Always replace a damaged extension cord or have it repaired by a qualified technician before use. Keep extension cords away from sharp objects, excessive heat and damp or wet areas. Use a separate electrical circuit for tools. This circuit should not be less than #12 wire and should be protected with a 15 A time delayed fuse. Before connecting the motor to the power line, make sure the switch is in the OFF position and the electric current is rated the same as the current stamped on the motor nameplate. Running at a lower voltage will damage the motor.

**WARNING**

Keep the extension cord clear of working area. Position the cord so that it will not get caught on lumber, tools or other obstructions while you are working with a blower/vac. Failure to do so can result in serious personal injury.

**WARNING**

Check extension cords before each use. If damaged replace immediately. Never use tool with a damaged cord since touching the damaged area could cause electrical shock resulting in serious injury.

**ELECTRICAL CONNECTION**

This tool is powered by a precision built electric motor. It should be connected to a **power supply that is 120 volts, 60 Hz, AC only (normal household current)**. Do not operate this tool on direct current (DC). A substantial voltage drop will cause a loss of power and the motor will overheat. If the product does not operate when plugged into an outlet, double check the power supply.

**FOR ALL DOUBLE-INSULATED APPLIANCES**

Replacement Parts — When servicing use only identical replacement parts.  
Polarized Appliance Connections — To reduce the risk of electric shock, this appliance has a polarized plug (one blade is wider than the other) and will require the use of a polarized extension cord. The appliance plug will fit into a polarized extension cord only one way. If the plug does not fit fully into the extension cord, reverse the plug. If the plug still does not fit, obtain a correct polarized extension cord. A polarized extension cord will require the use of a polarized wall outlet. This plug will fit into the polarized wall outlet only one way. If the plug does not fit fully into the wall outlet, reverse the plug. If the plug still does not fit, contact a qualified electrician to install the proper wall outlet. Do not change the equipment plug, extension cord receptacle, or extension cord plug in any way.

**WESTWARD** 12 amp Electric Blower/Mulcher

**Know Your Blower**

The safe use of this product requires an understanding of the information on the tool and in this operator's manual, as well as a knowledge of the project you are attempting. Before use of this product, familiarize yourself with all operating features and safety rules. (See Fig. 2)

**BLOWER TUBE**

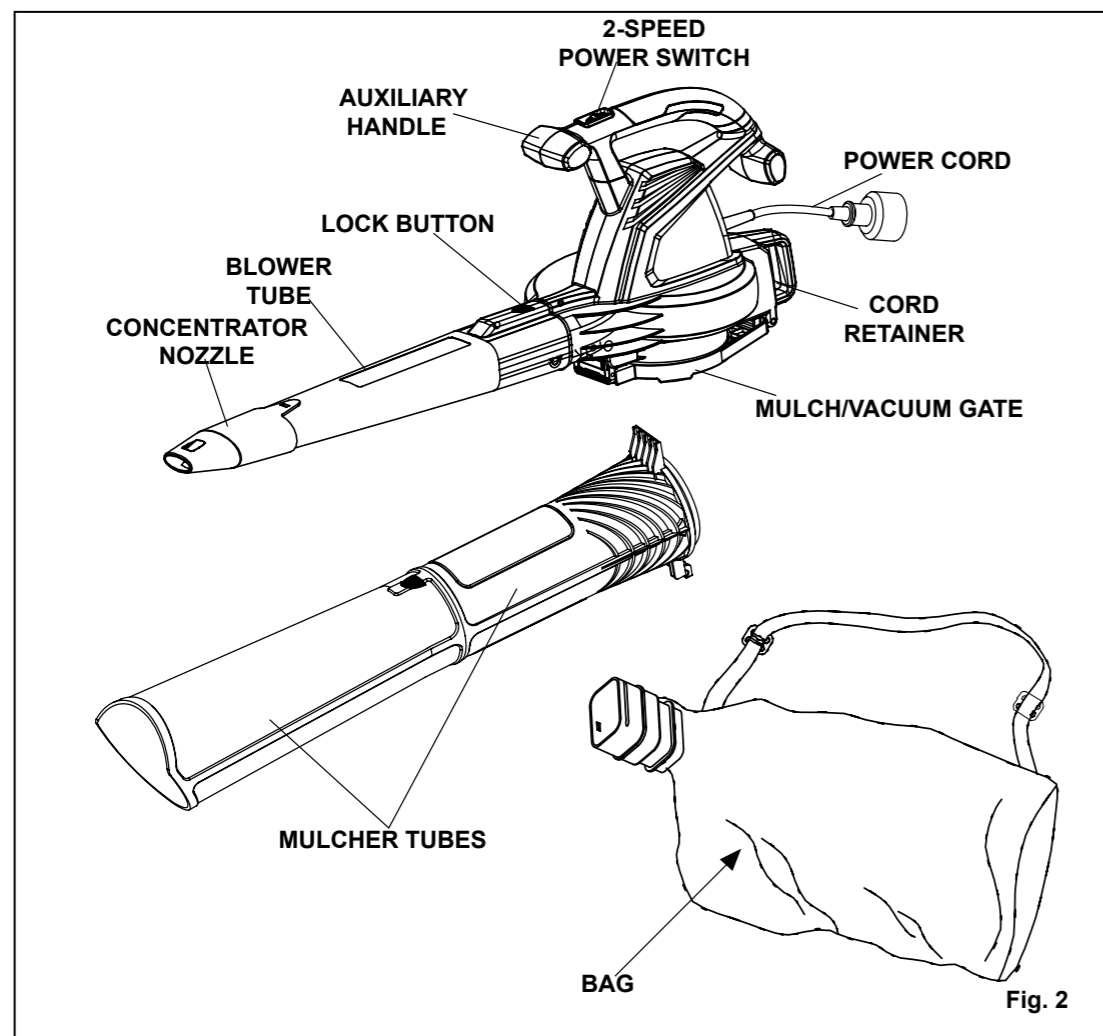
The blower tube can be easily installed on the blower without any additional tools.

**CORD RETAINER**

A convenient cord retainer helps keep the extension cord connection secure during blower operation.

**MULCHER TUBES**

The mulcher tubes can be added without any additional tools to provide mulching and vacuuming functionality.



**WESTWARD** 12 amp Electric Blower/Mulcher

**Assembly**

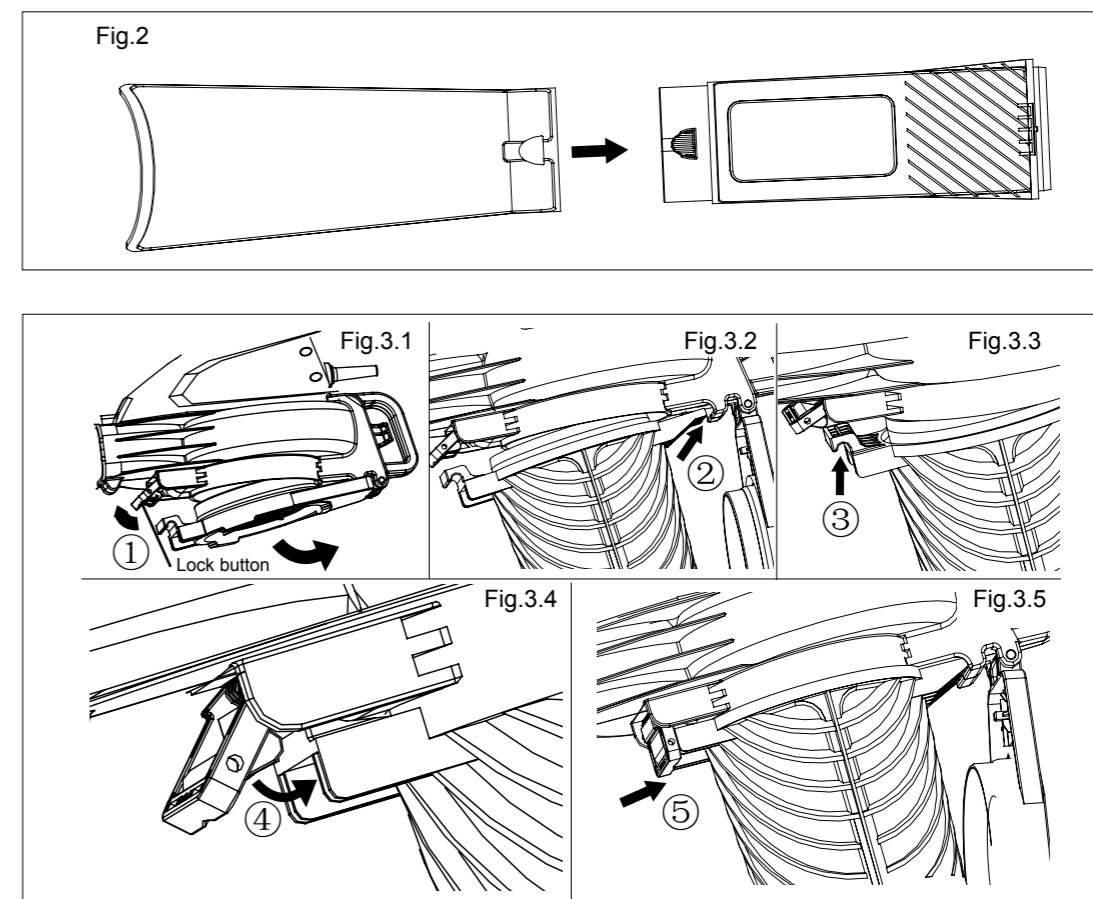
**ASSEMBLE AS A MULCHER (See Fig.3)**

1. Slide the front and rear mulcher tubes together until the lock button engages. (See fig 2)
2. Pull the lock button forward to disengage the gate. Hold the gate open. (See fig 3.1)
3. Insert the "wedged" end clip of the mulcher tube into the rear clip. (See fig 3.2). Push the "hooked" end clip of the mulcher tube into the front clip. (See fig 3.3). Press the lock button back to engage the mulcher tube. (See fig 3.4)
4. To remove mulcher tubes, follow the steps (3) (2) (1).
5. Insert the bag adaptor into the blower outlet. Lock the bag adaptor with the lock button. To remove the bag, simply press lock button and remove bag. (see Fig.5).

NOTE: It may be necessary to remove the blower tube or mulcher tubes to clear a blocked tube or impeller.

**WARNING**

To prevent serious personal injury, make sure the switch is in the OFF position, it is unplugged, and the impellers have stopped before attaching or removing tubes.



**WESTWARD** 12 amp Electric Blower/Mulcher

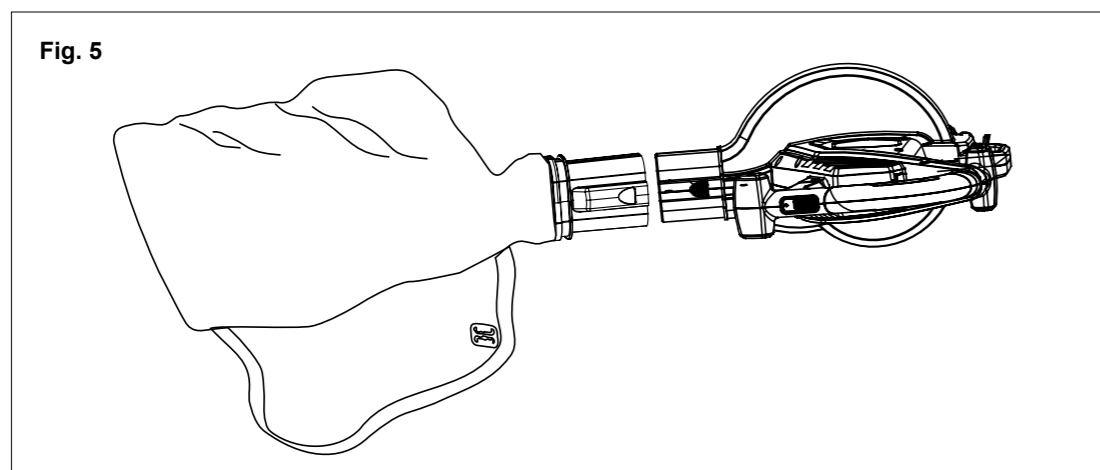
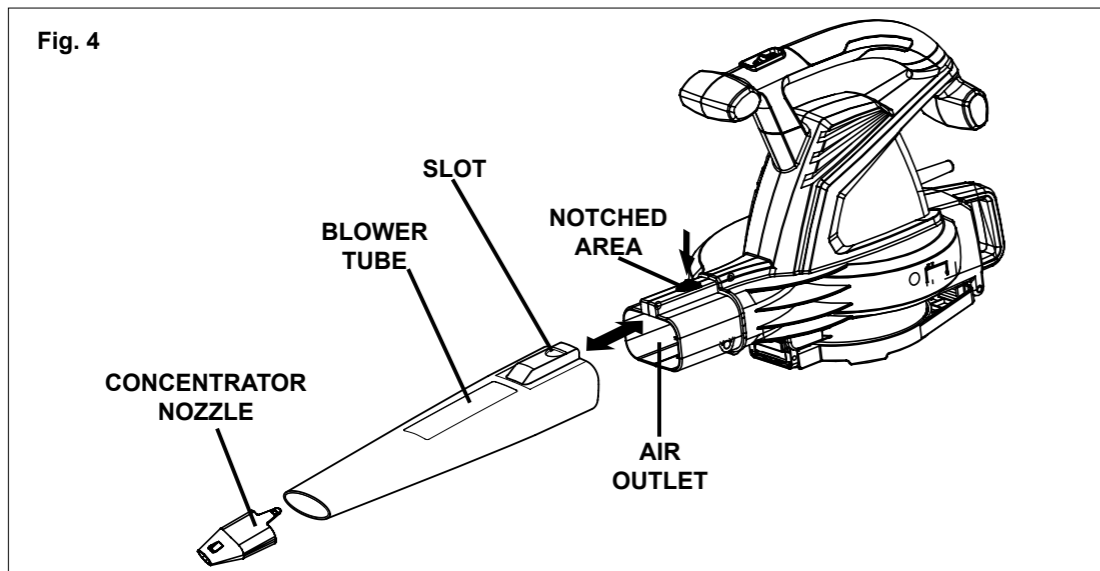
**Assembly**

**ASSEMBLE AS A BLOWER (See Fig.4)**

1. Slide blower tube forward until the notched areas on the blower housing click into the slots on the tube.
2. Insert the concentrator nozzle onto the regular nozzle to lock. (Concentrator nozzle is used to increase air flow in tight areas: flower beds, under decks, etc.).

**INSTALLING BAG WITH SHOULDER HARNESS (See Fig.5)**

- While standing in the operating position adjust the length to fit the operator's size. Pull the tab to lengthen, pull the strap to shorten.

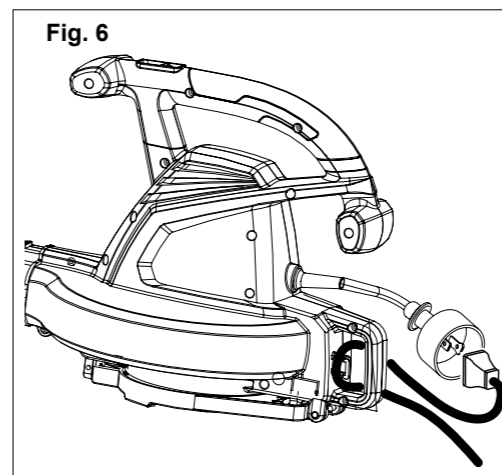


**WESTWARD** 12 amp Electric Blower/Mulcher

**Operation**

**CONNECTING THE POWER CORD (See Fig.6)**

1. Secure the extension cord to the motor housing using the notch at rear of blower. This prevents accidental removal of the electrical cord.
2. Plug the female end of the electrical cord into the receptacle at the back of the unit.

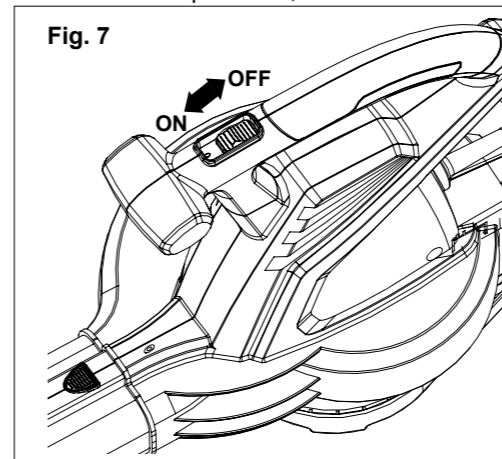


**STARTING/STOPPING THE BLOWER/ MULCHER (See Fig.7)**

This unit is equipped with a three-way (OFF/ LOW/ HIGH) switch

- Slide the switch forward to the first position for LOW speeds up to 150 MPH (241Kph).
- Slide the switch forward to the second position for HIGH speeds up to 230 MPH (370Kph).

Once the unit is plugged in, stand in the operating position. Slide the power/speed switch to LOW or HIGH to start the unit. To stop the unit, slide the switch to OFF.



**HOLDING THE BLOWER/MULCHER**

Before operating the unit, stand in the operating position. Check for the following:

- Operator is wearing proper clothing, such as boots, safety glasses or goggles, ear/hearing protection, gloves, long pants and a long sleeve shirt.

**WARNING**

To avoid serious personal injury, wear goggles or safety glasses that comply with ANSI Z87.1 at all times when operating this unit. Wear a face mask or dust mask in dusty locations.

**WARNING**

To prevent serious personal injury or damage to the unit, make sure the blower tube or the mulcher tubes and the bag are in place before operating the unit.



## 12 amp Electric Blower/Mulcher

## Operation

## OPERATING TIPS (See Fig.8)

- The bag is installed and zipped closed (when used as a mulcher).
- Be sure the bag is zipped closed before operating the unit.
- Assure the unit is not directed at anybody or any loose debris before starting the unit.
- Verify that the unit is in good working condition. Make sure the tubes and guards are in place and secure.
- Always hold the unit with both hands when operating.
- Keep a firm grip on both the front and rear handle or grips.
- To reduce the risk of hearing loss associated with sound level(s), hearing protection is required.
- Use the shoulder strap when using unit as a mulcher.
- Operate power equipment only at reasonable hours—not early in the morning or late at night when people might be disturbed. Comply with times listed in local ordinances. Usual recommendations are 9:00 am to 5:00 pm, Monday through Saturday.
- To reduce noise levels, limit the number of pieces of equipment used at any one time.
- To reduce noise levels, operate power blowers at the lowest possible speed to do the job.
- Use rakes and brooms to loosen debris before blowing.
- In dusty conditions, slightly dampen surfaces.
- Conserve water by using power blowers instead of hoses for many lawn and garden applications, including areas such as gutters, screens, patios, grills, porches, and gardens.
- Watch out for children, pets, open windows or freshly washed cars, and blow debris safely away.
- Clean up after using blowers and other equipment. Dispose of debris appropriately.

NOTE: Please ensure that the mulch/vacuum gate is completely closed and locked.

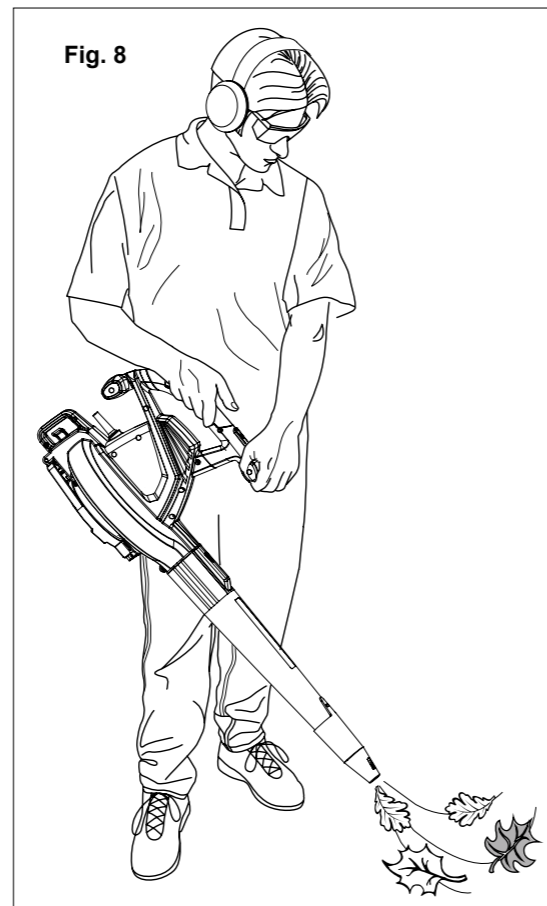


Fig. 8



## 12 amp Electric Blower/Mulcher

## Operation

## AIR VENTS

Never cover air vents. Keep them free from obstructions and debris. They must always remain clear for proper motor cooling.

**▲WARNING**

To avoid serious personal injury, do not wear loose fitting clothing or articles such as scarves, strings, chains, ties, etc., that could get drawn into the air vents. To make sure long hair does not get drawn into the air vents, tie back long hair.

## OPERATING AS A BLOWER

Hold the blower firmly. Sweep from side to side with the nozzle several inches above the ground or floor. Slowly advance the unit, keeping the accumulated pile of debris in front of you. Most dry blowing operations are better suited to low speeds, rather than high. High speed blowing is a better way to move heavier items like large debris or gravel.

## OPERATING AS A MULCHER

Hold the vac firmly, tilting the mulcher tubes (2-4 in. or 5-10 cm), and use a sweeping action to collect light debris. The debris will flow into the bag. Items such as small leaves and twigs will be mulched as they pass through the fan housing. For longer bag life and increased performance, empty the bag often.

## CLEARING A BLOCKED TUBE / IMPELLER

**▲WARNING**

To avoid serious personal injury, be sure the unit is OFF and unplugged before clearing the impeller.

**▲WARNING**

To avoid serious personal injury, always wear gloves to protect yourself from the impeller blades or other sharp objects.

1. Slide the Power/Speed switch down to the OFF position until the unit comes to a complete stop.
2. Unplug the unit.
3. Remove the blower tube or mulcher tubes and the bag.
4. Carefully remove material blocking the tube or impeller. Inspect the blades to ensure no damage has occurred. Rotate the impeller blades by hand to ensure the blockage is completely cleared.
5. Reinstall the blower tube or mulcher tubes and the bag.
6. Plug the unit back into the power supply.

## Maintenance

This unit is double insulated. In a double-insulated unit, two systems of insulation are provided instead of grounding. There is no grounding provided and no means of grounding should be added to this unit. Extreme care and knowledge of the system is required when servicing a double-insulated unit. Service should be performed by qualified service personnel only. Replacement parts for a double-insulated unit must be identical to the parts they replace. Refer any repairs to an authorized service dealer. A double-insulated unit is marked with the words "double insulation" or "□"



## CLEANING THE UNIT

**▲WARNING**

To avoid serious personal injury, always turn the unit off and unplug it before cleaning or servicing. Use a small brush to clean off the outside of the unit. Do not use strong detergents, household cleaners that contain aromatic oils such as pine and lemon, and solvents such as kerosene as they can damage plastic housings or handles. Wipe off any moisture with a soft, dry cloth.

## CLEANING THE BAG

1. Empty the bag after each use to avoid deterioration and obstructing air flow, which will reduce the performance of the mulcher.
2. Wearing eye protection and a dust mask, clean the bag as needed. Turn the bag inside out after initial emptying and vigorously shake out dust and debris.
3. Wash the bag once a year, or more often if needed:
  - a. Remove the bag.
  - b. Turn bag inside out.
  - c. Hang it up.
  - d. Hose it down thoroughly.
  - e. Leave it hanging to dry.
  - f. Turn bag right-side out and reinstall.

## STORAGE

- Store the unit locked up to prevent unauthorized use or damage.
- Store the unit in a dry, well-ventilated area.
- Store the unit out of the reach of children

## INSPECT EXTENSION CORDS

Inspect all extension cords periodically. Look closely for deterioration, cuts or cracks in the insulation. Inspect the connectors for damage. Replace cords if defective or damaged.





## 12 amp Electric Blower/Mulcher

### Troubleshooting Chart

Symptom(s)	Possible Causes(s)	Corrective Action(s)
Unit will not blow or mulcher.	<ol style="list-style-type: none"> <li>1. Bag full</li> <li>2. Blocked tube</li> <li>3. Blocked impeller</li> <li>4. Dirty bag</li> <li>5. Torn bag</li> <li>6. Bag unzipped</li> <li>7. Unit unplugged</li> </ol>	<ol style="list-style-type: none"> <li>1. Empty the bag.</li> <li>2. Clear the blockage.</li> <li>3. Clear the blockage</li> <li>4. Clean the bag.</li> <li>5. Replace the bag.</li> <li>6. Zip up the bag.</li> <li>7. Plug into an outlet or an extension cord.</li> </ol>
Unit will not start.	<ol style="list-style-type: none"> <li>1. Unit is unplugged.</li> <li>2. Power/speed switch is in the OFF position.</li> <li>3. Defective power switch.</li> <li>4. Vac tubes are not correctly installed.</li> <li>5. Intake gate/cover is not closed.</li> <li>6. House circuit may have tripped.</li> </ol>	<ol style="list-style-type: none"> <li>1. Check cord to make sure it is plugged into an electrical outlet.</li> <li>2. Slide switch to high or low.</li> <li>3. Call toll free helpline: 1-800-323-0620.</li> <li>4. Check vac tubes to ensure that they are allowing the switch to be engaged when correctly installed.</li> <li>5. Ensure that gate/cover is fully closed and locked.</li> <li>6. Check wall circuit breaker panel and reset if necessary.</li> </ol>

### Warranty

WESTWARD<sup>®</sup> hereby warrants this product, to the original purchaser with proof of purchase, for a period of one (1) year against defects in materials, parts or workmanship. WESTWARD<sup>®</sup>, at its own discretion will repair or replace any and all parts found to be defective, through normal use, free of charge to the customer. This warranty is valid only for units which have been used for personal use that have not been hired or rented for industrial/ commercial use, and that have been maintained in accordance with the instructions in the owners' manual supplied with the product from new.