

Locks & Exit Device Hardware for STORE FRONT DOORS



The  to your success

4th Edition

Table Of Contents

Warranty	1
Exit Devices - Mechanical and Electrified	
Concealed Vertical Rod (CVR) - 128 Series	2
Rim Exit Devices - 129 Series.....	2
Electrified Concealed Vertical Rod (CVR) and Rim Devices.....	3
Power Supply.....	3
Accessories and Parts.....	4
Mortise Locks	
Deadbolt and Hookbolt - 185 Series	5-6
Deadlatch - 451 Series.....	7-8
Glass Door Bottom Rail Lock - BR Series.....	9
Dust Proof Strikes	9
Lever Handles - 456 Series	10
Push/Pull Paddles - 459 Series	11
Cylinders.....	12
Threshold, Header and Flush Bolts	
Threshold Bolt - 4015 Series.....	13
Header Bolt - 4016 Series.....	14
Header Bolt - 4085 Series.....	15
Flush Bolt - FLB Series	16
Accessories	
Lock Indicator Sets.....	17
Faceplates.....	17
Strikes	18
Offset Pivots	19-26
Intermediate Pivots.....	27-29
Butt Hinges and Door Stops	30

Exit Devices - Mechanical and Electrified



Concealed Vertical Rod (CVR) - 128 Series

The CVR Exit Device blends the vertical rod with the appearance of a contemporary panic / exit device. This style secures the door without exposed external hardware. The rods are concealed within the door, making this a more aesthetically pleasing installation.

Although CVR devices are primarily used on double doors without a mullion (center piece), they may also be used on single doors.

Applications include narrow, medium and wide stile aluminum doors. This style easily retrofits existing doors with Jackson® 1285 exit devices.

- Meets ANSI Grade 1 requirements, UL Listed Life Safety
- Low profile push bar projects less than 3" (76.2 mm) from face of door
- Top and bottom bolt design, spring powered with 5/8" (15.88 mm) bolt throw
- Adaptable metal bolt guides permit adjustment with door installed
- Coated metal end caps
- Handed, not reversible
- Easy access dogging system, optional cylinder dogging
- Two stock lengths: 36" (914.4 mm) and 48" (1219.2 mm)
- Field sizeable to 28" (711.2 mm) in width
- For doors over a 7' (2133.6 mm) height, use a top rod extender



Rim Exit Devices - 129 Series

Rim Exit Devices are used on either single or double doors. When installing on double doors, a mullion (center piece) is required to enable the latch bolt, thus securing the door. All hardware is exposed.

Applications include hollow metal, wood or aluminum doors. This style easily retrofits existing doors with Jackson® 1295 exit devices.

The Ilco Rim Exit Devices feature a 3/4" (19 mm) throw latchbolt, non-handed. Surface mounted strike options include type "C" (standard) and type "S" (for blade stop). Both types of strikes are included with each device.

- Meets ANSI Grade 1 requirements, UL Listed Life Safety
- Low profile push bar projects less than 3" (76.2 mm) from face of door
- Coated metal end caps
- Non-Handed
- Two stock lengths: 36" (914.4 mm) and 48" (1219.2 mm)
- Easy access dogging system, optional cylinder dogging
- Field sizeable to 28" (711.2 mm) in width
- Pairs with Kaba E-plex 3000 Series lock

Jackson is a registered trademark of C. R. Laurence Co., Inc.



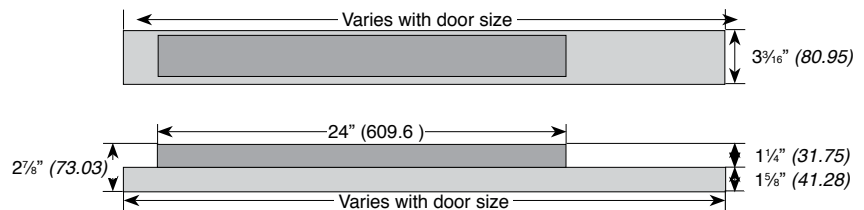
Exit Devices - Mechanical and Electrified



Electrified Concealed Vertical Rod (CVR) and Rim Devices

Electronic Latch Retraction (ELR) feature provides remote latch retraction by security guard or security system allowing free entrance and egress. The system can be activated to hold the latch open momentarily or for extended periods of time.

- Add "EL" following series number for electrified exit device.
- PS-1-00 Power Supply can operate 1 or 2 devices (shown below)
- Available for 128 and 129 Series
- IPM-2 Interphase Power Module allows a wire run from the power supply to the exit device up to 700' with 18/2 wire
- Equipped with high performance solenoids for brisk latch retraction
- Fail-secure operation
- Cost effective solution for new and retrofit applications
- Remote locking and unlocking capability



Power Supply

Designed to supply power for electric latch retraction exit devices that operate at 24 VDC. Power two devices simultaneously using the IPM-2 Interphase Power Module.

- Output voltage from 24 VDC to 27.5 VDC regulated at 1 Amp
- 120 VAC, 60HZ Input Voltage
- One solid state input/output triggered by dry contact (No relay required)
- Sturdy 10" x 10" x 4" (254 mm x 254 mm x 101.6 mm) metal enclosure
- Fire Alarm contacts can be wired in series with input trigger to achieve Fire Alarm disconnect
- LED Indicators (Red = Power, Green = Channel On)
- Removable euro-style terminal blocks for each installation

How To Order Example

128 LR - 3 - 628

A

B

C

D

A Exit Device Series

128 = Concealed Vertical Rod
129 = Rim

Add a "CD" following series number for cylinder dogging. Example – 128CDLR-3-628 (CVR) Exit Device, Left Hand Reverse Bevel, 3' door width with Aluminum finish

Add "EL" following series number for electrified exit device. Example – 128ELLR-3-628 (CVR) Exit Device, Left Hand Reverse Bevel, 3' door width with Aluminum finish

Add "RX" following series number for Rex Switch

B Handing

LR = Left Hand Reverse Bevel (LHRB)
RR = Right Hand Reverse Bevel (RHRB)
Rim = Exit Devices are Non-Handed

C Door Opening

3 = 36" (914.4 mm) 36" can be cut to 28" (711.2 mm)

Width

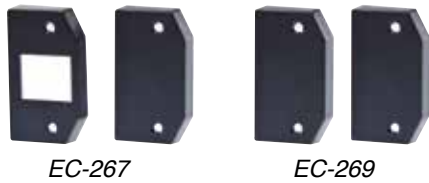
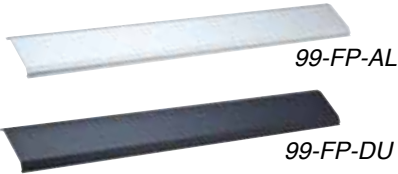
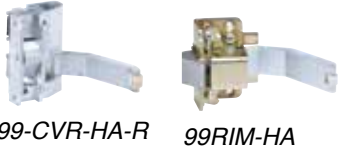
4 = 48" (1219.2 mm) 48" can be cut to 28" (711.2 mm)

D Finish

628 = Aluminum
313 = Dark Bronze
313/CP = Dark Bronze with Champagne Push Bar

Exit Devices

Product No.	Description
IPM-2	Interphase Power Module
CVR-320-394	CVR Top & Bottom Bolt Guides (Set)
99CVR-HA-L	CVR Head Assembly (LHRB)
99CVR-HA-R	CVR Head Assembly (RHRB)
99RIM-HA	Rim Head Assembly
99-FP-AL	Filler plate – Clear
99-FP-DU	Filler plate –Dark Bronze
EC-267	End Cap Package - Rim
EC-269	End Cap Package - CVR
DA-267	Dogging Assembly
99-DK	Dogging Keys (Package of 20)
S-2501	“S” Strike
C-2436	“C” Strike
CVR-1084-AL	CVR Strike Package – Clear
CVR-1084-DU	CVR Strike Package - Dark Bronze
TRE-1347	Top Rod Extender - 12” (304.8 mm)
TRE-1348	Top Rod Extender - 24” (609.6 mm)
CMP628	Cylinder mounting pad - Silver
CMP313	Cylinder mounting pad - Dark bronze
TPT824-628	Trip Bracket - Clear
TPT824-313	Trip Bracket - Bronze
TR-LR-CVR-313	Trim LH CVR Bronze
TR-LR-CVR-628	Trim LH CVR Clear
TR-LR-RIM-313	Trim LH Rim Bronze
TR-LR-RIM-628	Trim LH Rim Clear
TR-RR-CVR-313	Trim RH CVR Bronze
TR-RR-CVR-628	Trim RH CVR Clear
TR-RR-RIM-313	Trim RH Rim Bronze
TR-RR-RIM-628	Trim RH Rim Clear
TR-LR-CVR-313	Trim LH CVR Bronze
TR-LR-CVR-628	Trim LH CVR Clear
TR-LR-RIM-313	Trim LH Rim Bronze
TR-LR-RIM-628	Trim LH Rim Clear
TR-RR-CVR-313	Trim RH CVR Bronze
TR-RR-CVR-628	Trim RH CVR Clear
TR-RR-RIM-313	Trim RH Rim Bronze
TR-RR-RIM-628	Trim RH Rim Clear
RCA-245	Rod and Case Assembly
62030	Push Bar Clear (No Dogging Hole)
62040	Push Bar Dark Bronze (No Dogging Hole)



Mortise Locks - For Aluminum Stile Doors

Deadbolt - 185 Series

360° turn of the key or thumbturn retracts the bolt. The bolt provides maximum security on single leaf doors.

Available with straight bolt (185) and hook bolt (HB185).

Backsets: $\frac{3}{32}$ " (24.59), $1\frac{1}{8}$ " (28.58 mm), $1\frac{1}{2}$ " (38.1 mm)

Case: Steel with corrosion resistant plating. Depth varies by backset

Bolt: Straight Bolt - $\frac{5}{8}$ "W x $2\frac{7}{8}$ "L (15.88 mm x 73.03 mm)

Hook Bolt - $\frac{5}{8}$ "W x $1\frac{3}{8}$ "L (15.88 mm x 34.9 mm)

Throw: Straight Bolt - $1\frac{3}{8}$ " (34.9 mm)

Hook Bolt - $1\frac{3}{16}$ " (20.6 mm)

- Faceplates available flat, left or right bevel, radius, or radius with weather strip
- Available with one or two faceplates or individually packaged without faceplates
- Cycle testing exceeds ANSI Grade 1 standards



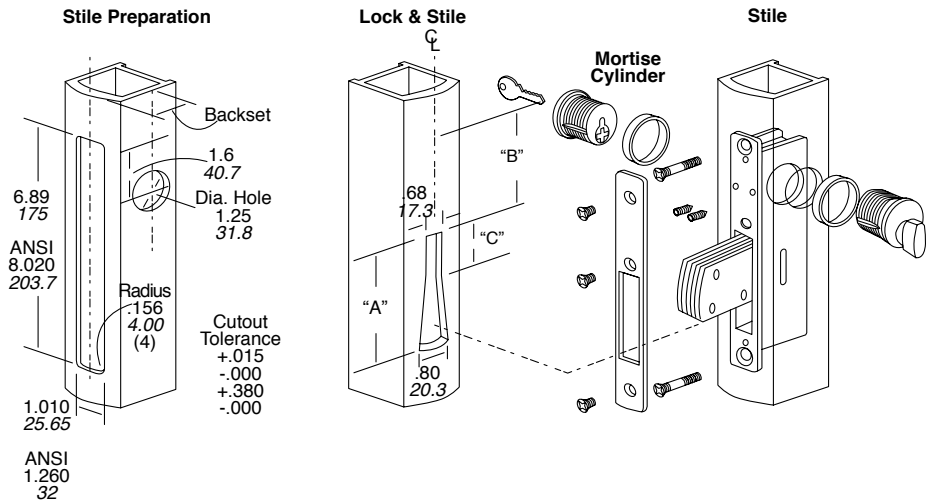
185

185ST



HB185

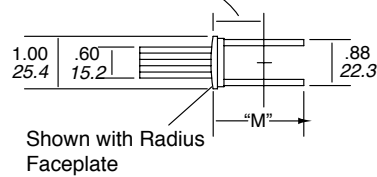
HB185SN



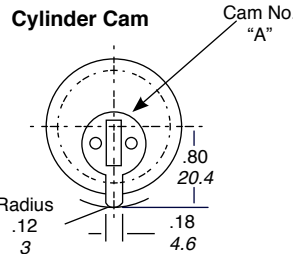
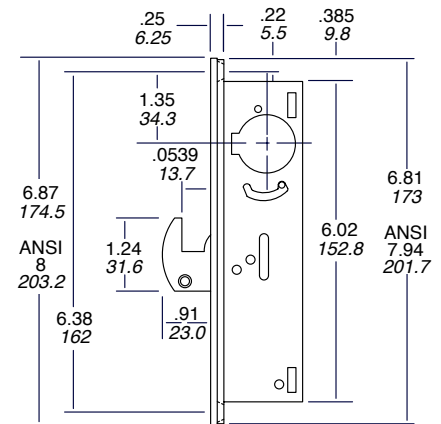
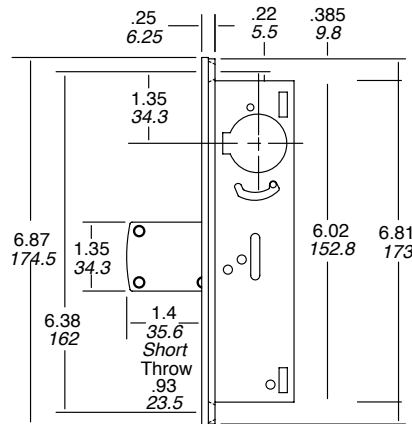
Bolt Type	"A"	"B"	"C"
Deadbolt	3.38"(85.85)	1.38"(35.05)	1.00"(25.40)
Hookbolt	1.94"(49.28)	2.19"(55.63)	.25"(6.55)

Mortise Locks - For Aluminum Stile Doors

Backset must be measured at center line of Stile Nose



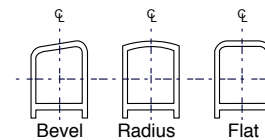
Backset	"M"
31/32"	1.63"
24.6	41.4
1-1/8"	1.79"
28.6	45.5
1-1/2"	2.14"
38.1	54.36



Cam ± .005
Tolerance ± .13

These locks are operable by any standard 1 1/2" (29.35 mm) diameter mortise cylinder with cam dimensions as shown.

Faceplate Styles



How To Order Example

185 - F - 2 NH - 628

A **B** **C** **D** **E**

A Lock Series 185=Deadbolt Style
185ST=Deadbolt Short Throw
HB185=Hook Bolt Style
HB185SN=ANSI Hook Bolt

Add 628/313 following handing for 2 faceplates
Example: 185-F-2NH-628/313

Add IP following backset designation for Individually Packaged Items Less Faceplate.
Example: 185-2-IP (Steel bolt, 31/32" (24.61 mm) backset)

B Faceplate F=Flat R=Radius
(see drawing above) B=Bevel RW= Radius w/Weather Strip

C Backset 2=31/32" (24.61 mm)
3=1 1/8" (28.58 mm)

4=1 1/2" (38.1 mm)

D Handing LH=Left Hand/Right Hand Reverse
RH=Right Hand/Left Hand Reverse
NH=Non-Handed (flat or radius faceplate)

E Finish 628=Aluminum
313=Dark Bronze
335=Black
628/313=Both Faceplates included of the same type

Packaging 185ST Sold Individually Packaged only (-IP)
HB185SN Sold Individually Packaged only (-IP)

Mortise Locks - For Aluminum Stile Doors



451

Deadlatch - 451 Series

Offers flexibility of traffic control for buildings that require free entrance during specific times and exit only at other times. A reverse turn of the key, while the bolt is retracted, retains the bolt for two-way traffic.

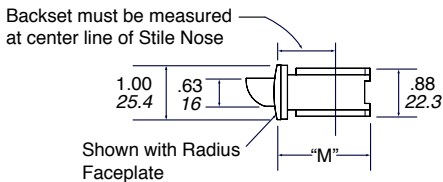
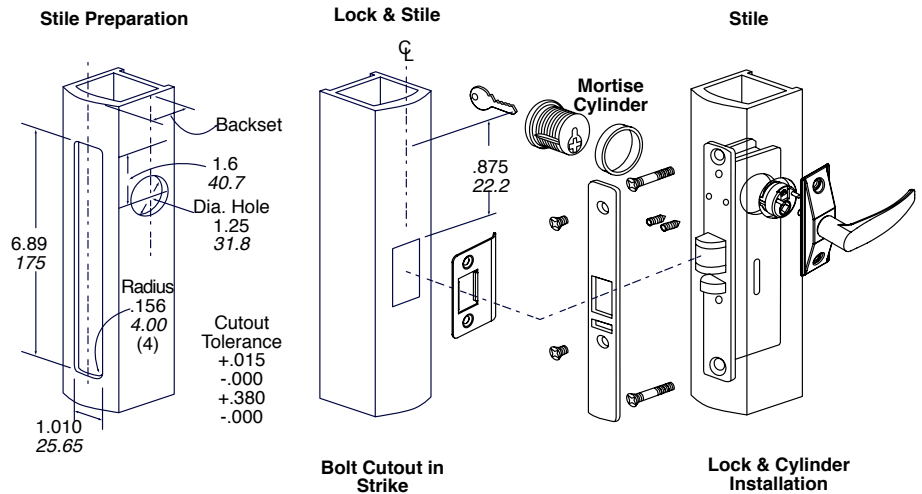
Interchangeable with the 185 Series Deadbolts.

Backsets: $\frac{31}{32}$ " (24.59 mm), $\frac{1}{8}$ " (28.58 mm), $1\frac{1}{2}$ " (38.1 mm)

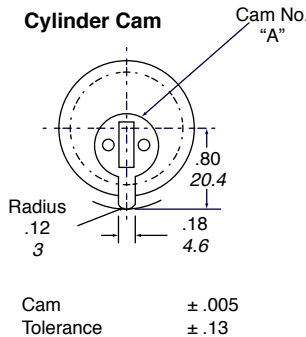
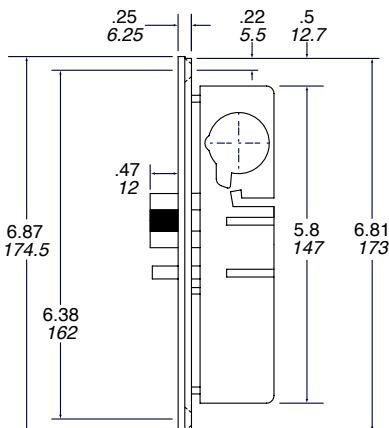
Case: Steel with corrosion resistant plating. Depth varies by backset

Latchbolt: $\frac{5}{8}$ "W x $1\frac{1}{2}$ "L (15.88 mm x 38.1 mm), field reversible handing

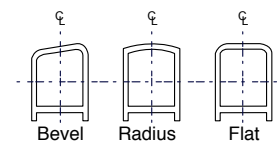
- Steel case with corrosion resistant plating
- Zinc latch with Delrin insert for quiet operation
- Auxiliary latchbolt feature prevents "loiding" or jimmying with knife
- Accepts standard $1\frac{1}{2}$ " (29.36 mm) diameter mortise cylinder
- Supplied pre-handed, but field reversible
- Aluminum faceplate measures 1 "x $6\frac{7}{8}$ " (25.4 mm x 174.63 mm)
- Available with one or two faceplates or individually packaged without faceplates
- Sets can be purchased with choice of 8 strike set combinations
- Strike sets include dust box and mounting plates
- Cycle testing exceeds ANSI Grade 1 standards



Backset	"M"
$\frac{31}{32}$ "	1.63"
$\frac{1}{8}$ "	41.4
1- $\frac{1}{8}$ "	1.79"
$\frac{1}{2}$ "	45.5
1- $\frac{1}{2}$ "	2.14"
38.1	54.36



Faceplate Styles



These locks are operable by any standard $1\frac{1}{2}$ " diameter mortise cylinder with cam dimensions as shown.

Mortise Locks - For Aluminum Stile Doors

Heavy Duty Deadlatch - 452 Series

Interchangeable with the 185 Series Deadbolts and 451 Series Deadlatch.

Backsets: 1 1/8" (28.58 mm)

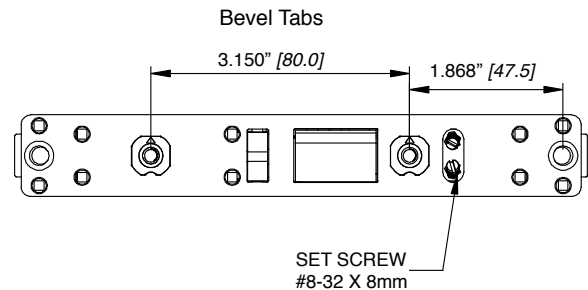
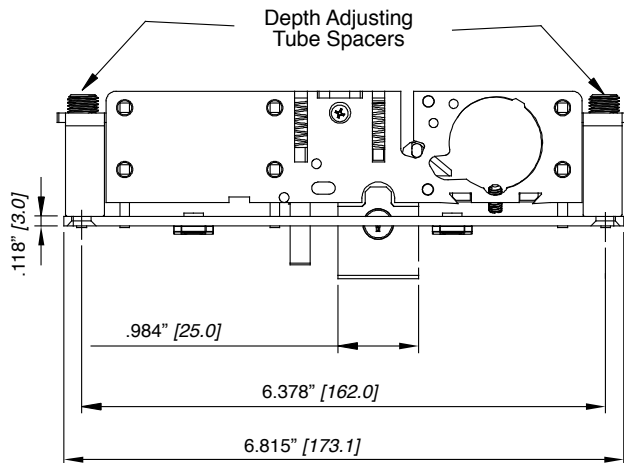
Case: Steel with corrosion resistant plating

Latchbolt: 5/8"W x 1 1/2"L (15.88 mm x 38.1 mm), field reversible handing

- Steel case with corrosion resistant plating
- Auxiliary latchbolt feature prevents "loiding" or jimmying
- Accepts standard 1 5/32" (29.36 mm) diameter mortise cylinder
- Handing is easily reversible using only a screwdriver without the need to reassemble springs
- Aluminum faceplate measures 1"x 6 7/8" (25.4 mm x 174.63 mm)
- Available with one or two faceplates. Also available individually packaged without faceplates
- Bevel tab feature provides adjustment of flat faceplates to either left or right hand bevel
- Depth adjusting tube spacers provides for precise installation
- Cycle testing exceeds ANSI Grade 1 standards



452



How To Order Example

452 - F - 2LH - 2 01 - 628

A **B** **C** **D** **E** **F** **G**

A Lock Series Add 628/313 following strike shape for 2 faceplates. Example: 451-F-2LH-201-628/313
 Add IP following handing designation for Individually packaged items without faceplate and strike. Example: 451-2LH-IP (Left hand 31/32" (24.61 mm) backset deadlatch)

B Faceplate F = Flat R = Radius
 B = Bevel RW = Radius w/Weather Strip
 * 452 Series does not use bevelled faceplates

C Backset 2 = 31/32" (24.61 mm)
 3 = 1 1/8" (28.58 mm)
 4 = 1 1/2" (38.1 mm)
 * 452 Series is offered in 1 1/8" (28.58 mm) only

D Handing LH = Left Hand/Right Hand Reverse
 RH = Right Hand/Left Hand Reverse

E Strike Size 1 = 4.63 (117.6 mm)
 2 = 2.63 (66.8 mm)

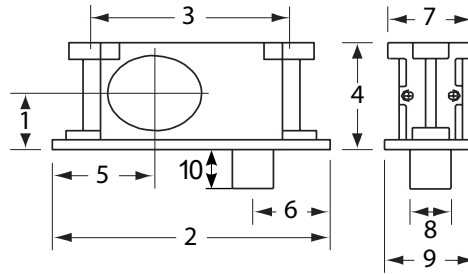
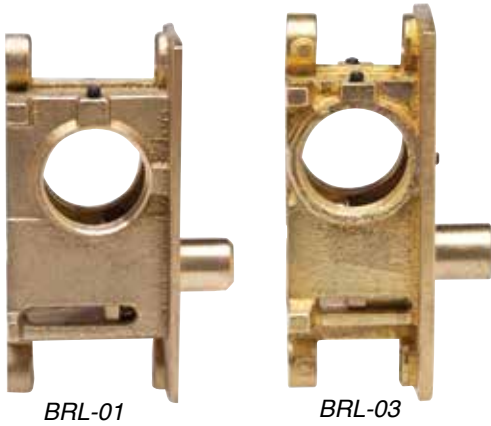
F Strike Shape/ Lip Length 01 = Flat Standard Jamb
 02 = Radius/Standard Stile
 17 = Flat/Center hung 4.0" (101.6 mm) Jamb
 21 = Flat/Center hung 4.5" (114.3 mm) Jamb
 * To order without strike, exclude "E & F"

G Finish 628 = Aluminum
 313 = Dark Bronze
 335 = Black
 628/313 = Both Faceplates included of the same type

Mortise Locks - For Tempered Glass Doors

Glass Door Bottom Rail Lock - BR Series

Installed in the bottom rail or in patch fitting of an all glass door. Bolt is retracted by 1½” (29.35 mm) mortise cylinder with standard cam (See Page 6 and 7 Brass Cylinders/Security Hardware Suggested List Price).



MODEL NUMBER	1	2	3	4	5	6	7	8	9	10
BRL-03	.84252” (21.4)	4.154” (105.5)	3.543” (90.0)	1.44” (39.6)	1.437” (36.6)	1.5” (38.0)	1.3454” (34.4)	.618” (15.7)	1.3031” (33.1)	.71 (18.03)
BRL-01	.96457” (24.5)	4.154” (105.5)	3.543” (90.0)	1.8898” (48.0)	1.437” (36.6)	1.5” (38.0)	1.3454” (34.4)	.618” (15.7)	1.3031” (33.1)	.71 (18.03)

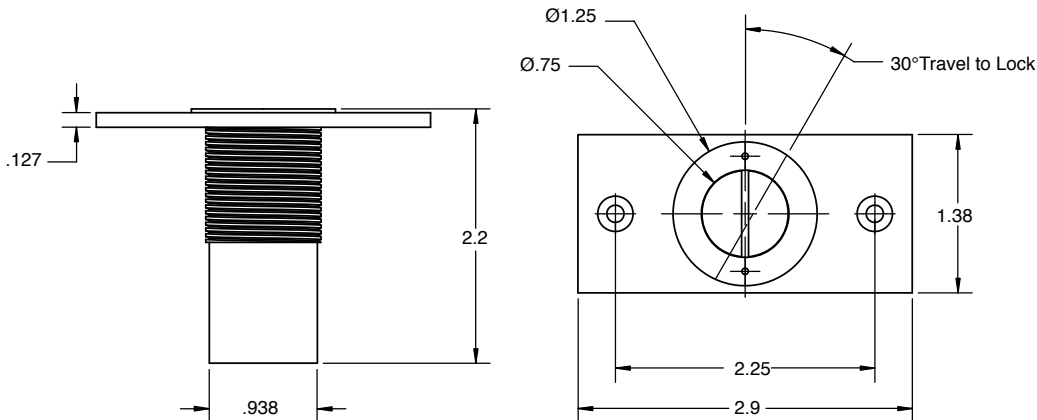


Dust Proof Strikes (Lockable)

DPS Series strikes work with the BRL-01 and BRL-03 Glass Door Bottom rail lock.

- Accepts 5/8” (16 mm) diameter plunger bolt
- Includes mounting plate, two flat head screws, and strike
- Available in 8 different finishes

Order No.	Description
DPS-313	Dust Proof Strike 313 Finish
DPS-26D	Dust Proof Strike 26D Finish
DPS-BLK	Dust Proof Strike Black Finish
DPS-US3	Dust Proof Strike US3 Finish
DPS-32	Dust Proof Strike 32 Finish
DPS-US32D	Dust Proof Strike 32D Finish
DPS-US4	Dust Proof Strike US4 Finish
DPS-628	Dust Proof Strike 628 Finish
DPS-26*	Dust proof Strike 26 Finish



Lever Handles and Push / Pull Paddles

Lever Handles - 456 Series

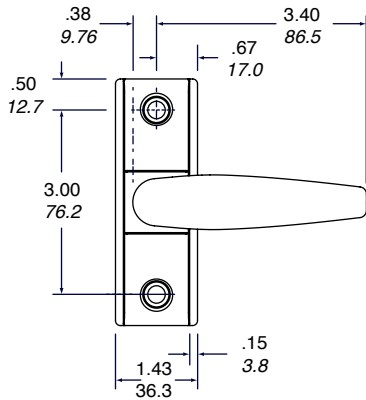
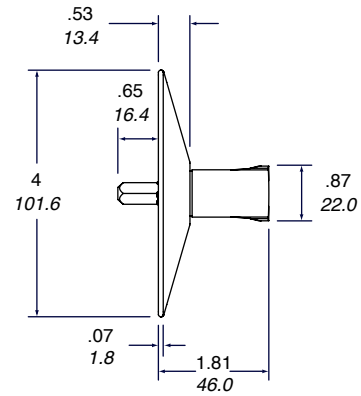
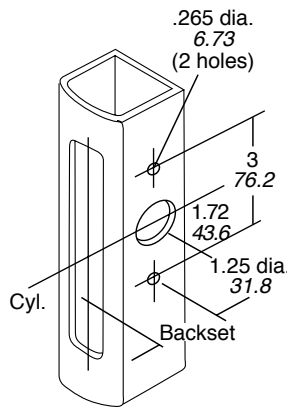
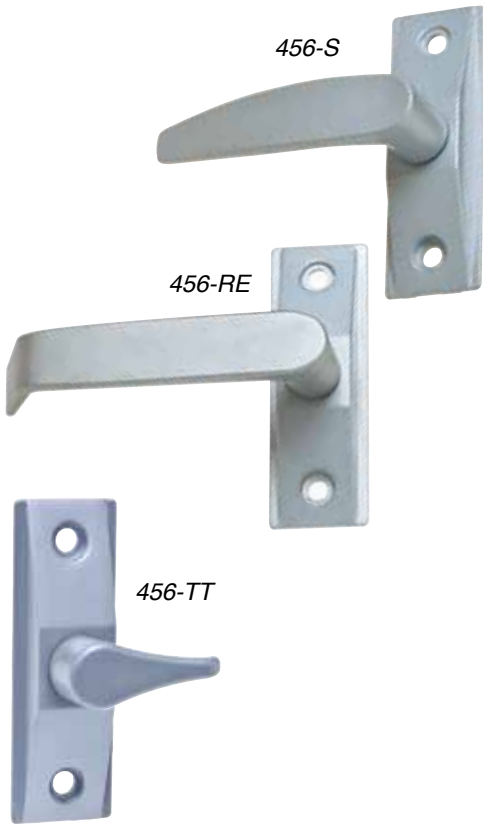
Levers are designed to keep fingers away from the jamb and allow operation without grasping. A downward movement retracts latch.

For use with 451 and 452 Deadlatch, the 456 Series is available in Straight (456-S), with Return (456-RE) and Thumbturn style (456-TT).

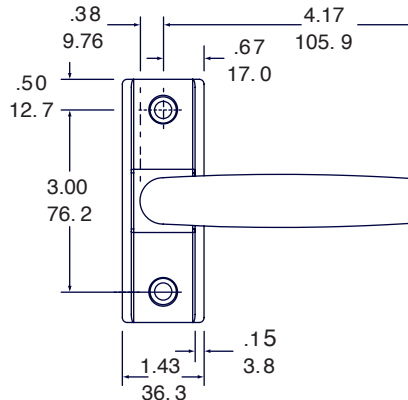
Door Thickness: 1 3/4" (44.45 mm) to 3" (76.2 mm)

Escutcheons: 1 3/8" x 4" (34.93 mm x 101.6 mm)

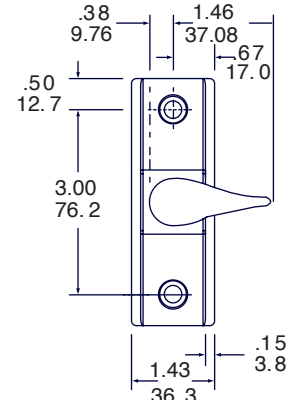
- Available Left or Right Hand, reverse handing using the cam plug
- Cast aluminum construction, aluminum, dark bronze and black finish
- Escutcheon assembly includes a 1/4" (6.35 mm) heat treated spindle
- Cam plug (included) is secured to handle escutcheon with hardened steel pins



456-S



456-RE



456-TT

How To Order Example

456 - S - LH - 01 - DU

A **B** **C** **D** **E**

A Lever Series

B Lever Style

S = Straight
RE = Euro Return
TT = Thumbturn

C Handing

LH = Left Hand/Right Hand Reverse
RH = Right Hand/Left Hand Reverse

D Door

01 = 1 3/4" (44.45 mm) to 2" (50.8 mm)

Thickness

E Painted

AL = Aluminum (matches 628)

Finish

DU = Durotonic-Dark Bronze (matches 313)

BLK = Black (matches 335)

Lever Handles and Push / Pull Paddles

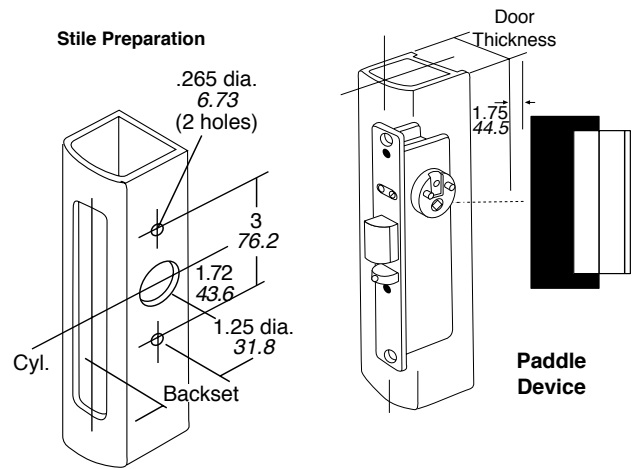
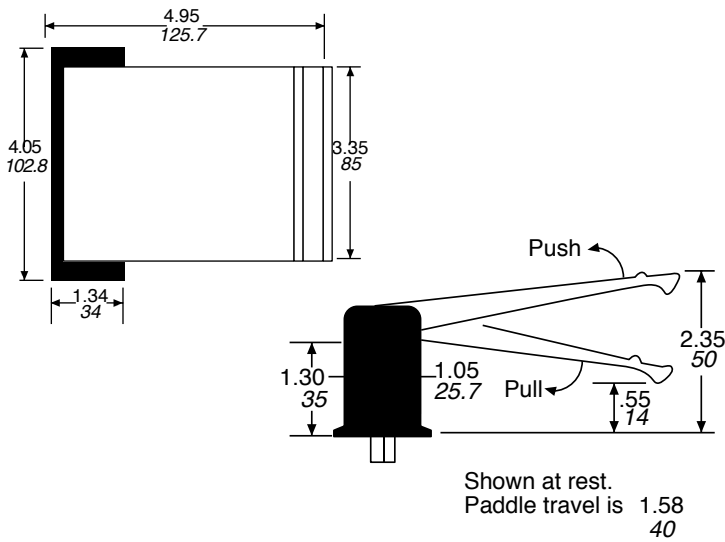
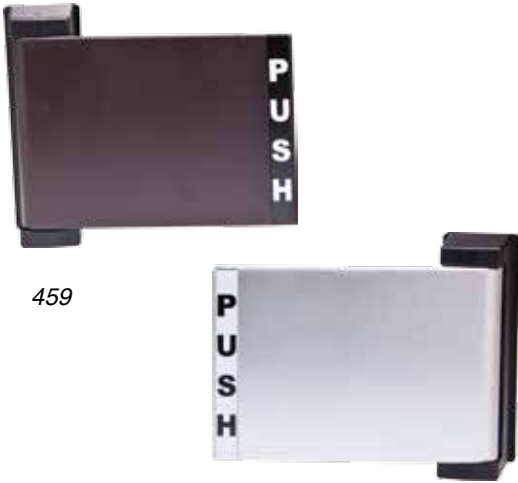
Push / Pull Paddles - 459 Series

Functions as an alternate to knob or lever handles. Push or pull in the direction of the door swing to unlatch.

Door Thickness: 1 3/4" (44.45 mm)

Escutcheon: 1 3/8" x 4" (34 mm x 101.6 mm)

- Corrosion resistant extruded aluminum construction, available in Aluminum, Dark Bronze and Black
- Escutcheon is zinc alloy with a black hard coat finish
- Enhanced double spring construction for durability
- Four operation modes (Pull Left, Pull Right, Push Left, Push Right)
- Binder post insures secure attachment of the push/pull handle to the door
- Field reversible handing using cam plug and Push/Pull feature
- Includes self adhesive Push / Pull decals
- Cycle testing exceeds ANSI Grade 1 standards



CP456 Cam Plug

Order No.

CP456-RH Right Hand Cam Plug *

CP456-LH Left Hand Cam Plug *

Paddle Door Thickness	Lever Handle Door Thickness
-----------------------	-----------------------------

1 3/4"

2"

1 3/4"

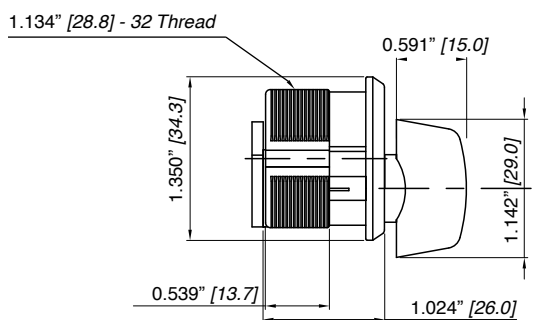
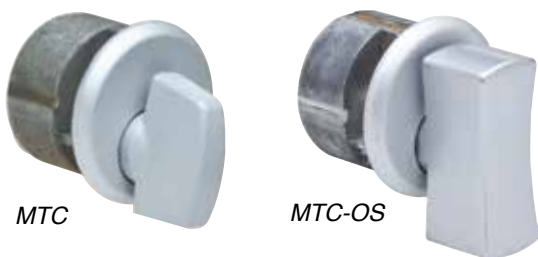
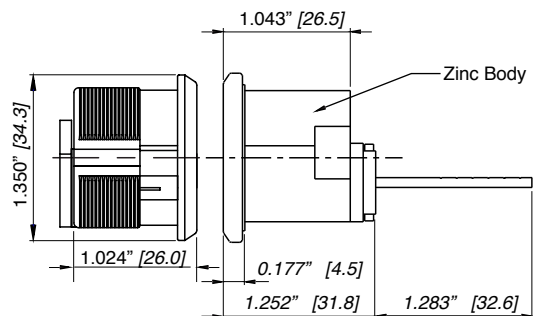
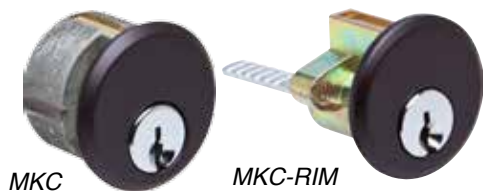
2"

* New item

How To Order Example		459 - 02 - 00 - 313			
		A	B	C	D
A Paddle Series					
B Operation	01 = Pull to Left 02 = Push to Left 03 = Pull to Right 04 = Push to Right				
			C Door Thickness	00 = 1 3/4" (44.45 mm)	
			D Finish	628 = Aluminum 313 = Dark Bronze 335 = Black	

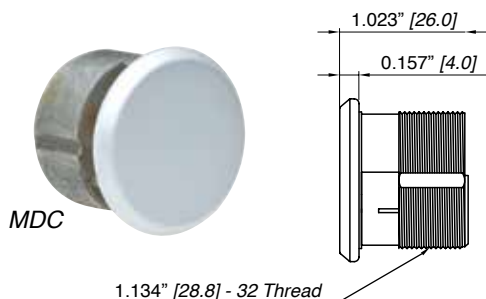
Zinc Die cast Cylinders

- 1" (25.4 mm) Mortise, Turn Knob, Dummy
- Includes Stamped Trim Ring (Aluminum, Dark Bronze and Black Finish)
- Schlage C Keyway / AR Cams



Order No.	Description
MKC-KD-AL	1" Schlage C Keyway AR Cam – Clear Aluminum – Keyed Different
MKC-KD-DU	1" Schlage C Keyway AR Cam – Dark Bronze – Keyed Different
MKC-KD-BLK *	1" Schlage C Keyway AR Cam – Black – Keyed Different
MTC-AL	1" Turn Knob AR Cam – Clear Aluminum
MTC-DU-AN	1" Turn Knob AR Cam – Dark Bronze
MTC-BLK *	1" Turn Knob AR Cam – Black
MDC-AL	1" Dummy - Clear Aluminum
MDC-DU	1" Dummy - Dark Bronze
MDC-BLK *	1" Dummy - Black
MKC-RIM-KD-AL	5 Pin - Clear Aluminum – Keyed Different
MKC-RIM-KD-DU	5 Pin - Dark Bronze – Keyed Different
MKC-RIM-KD-BLK *	5 Pin - Black - Keyed Different
MTC-AL-OS	Oversized Thumbturn – Clear Aluminum
MTC-DU-OS	Oversized Thumbturn – Dark Bronze

*For KA2, KA25, KA50 add in place of KD (example - MKC-KA2-AL)



Cylinder Guards

- For Aluminum/Hollow Steel doors
- Hardened Steel, corrosion resistant construction
- Provides additional security against prying and twisting of the cylinder.
- Fits standard 1/8" (3.18 mm) stile wall
- Includes Steel Security ring, 2 spacers, retainer ring
- Aluminum, Dark Bronze and Black powder coat finishes available



Order No.	Description
CL-404-AL	Aluminum Powder Coat Finish
CL-404-DU	Dark Bronze Powder Coat Finish
CL-404-BLK *	Black Powder Coat Finish

Threshold, Header and Flush Bolts

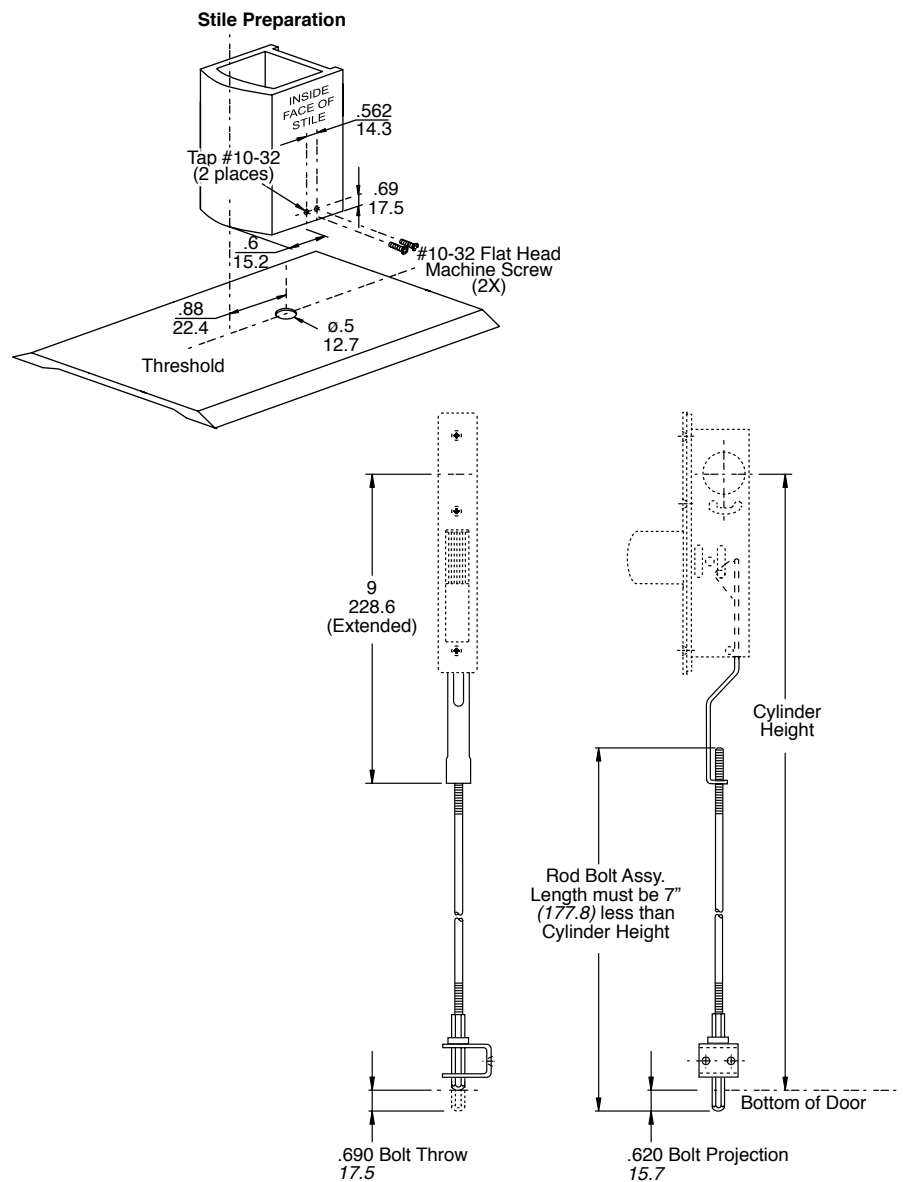
Threshold Bolt - 4015 Series For Deadbolt and Hookbolt THB-4015

The 4015 Series Threshold Bolt offers two point locking to enhance the security of double door installations. When the deadbolt is actuated, the bolt extends in to the threshold. Three point locking is achieved when a Threshold bolt is used in conjunction with a header bolt.

Throw: $\frac{1}{16}$ " (17.45 mm)

Cylinder Height: 34" (863.6 mm)

- Attaches to the rear of the pivoting deadbolt
- Easily add to an existing installation
- Rod is zinc plated steel



Header Bolt - 4016 Series For Deadbolt HDB-4016

The 4016 Series Header Bolt provides two point locking security to double door installations. The actuation of the lock throws the bolt into the header of the active leaf.

For doors up to 7' (2133.6 mm) with cylinder height no less than 35" (889 mm).

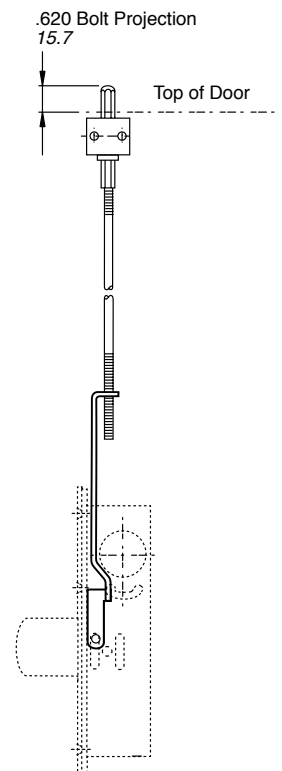
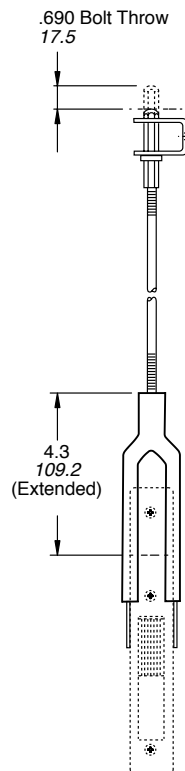
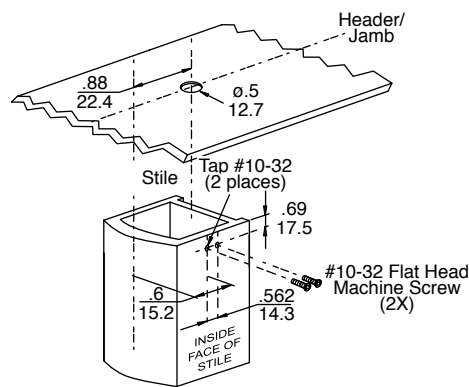
Backsets: $\frac{31}{32}$ " (24.59 mm), $\frac{1}{8}$ " (25.58 mm), $\frac{1}{2}$ " (38.1 mm)

- Attaches to the front slot of the deadbolt
- Adjusting to cylinder height below 53" (1346.2 mm) can be accomplished by cutting threaded rod
- Rod is zinc plated steel

HDB-4016



Stile Preparation



Threshold, Header and Flush Bolts

Header Bolt - 4085 Series For Deadbolt

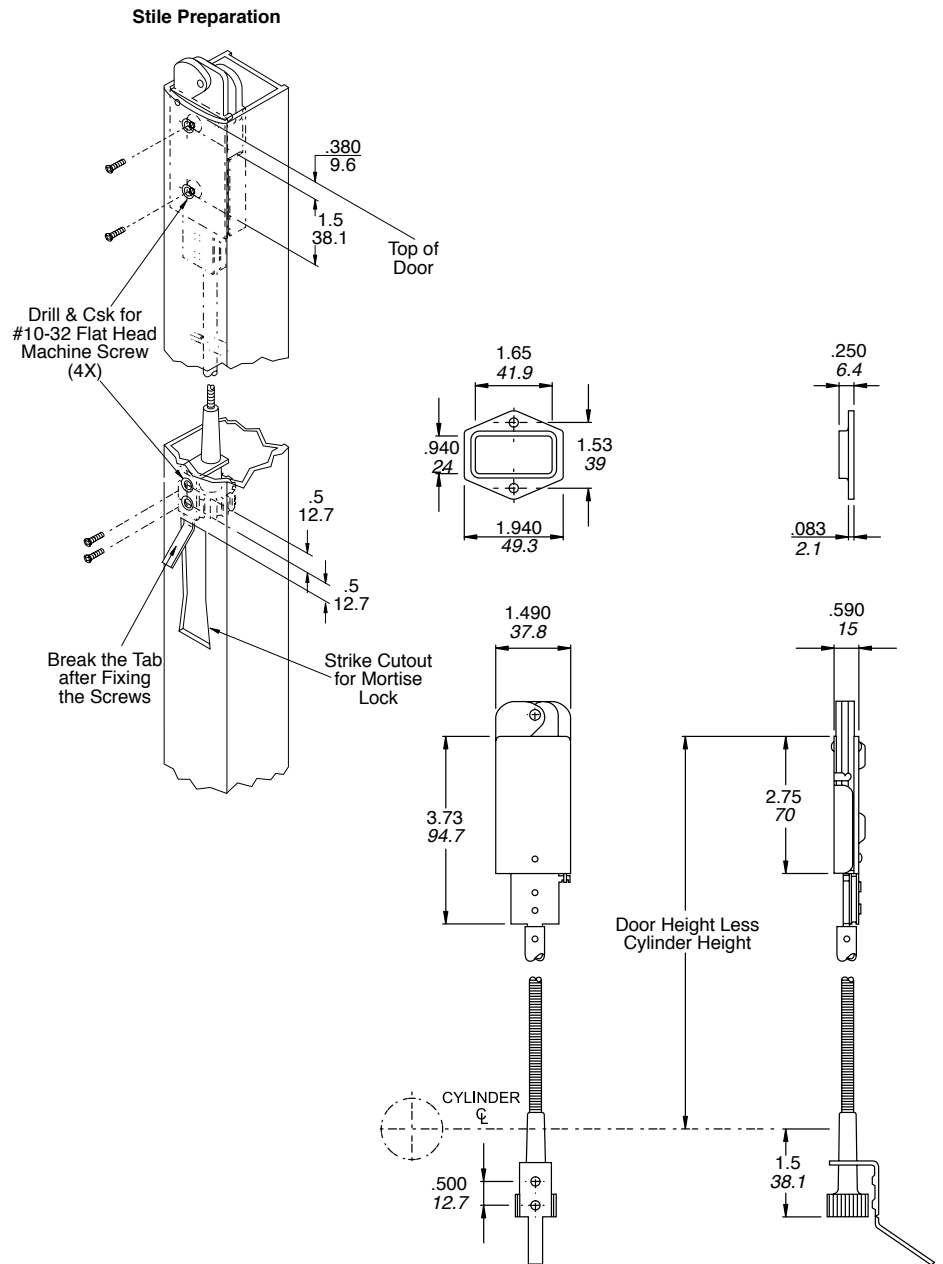
The 4085 Series Header Bolt provides a top of door, third locking point on the inactive leaf. With the actuation of the lock, the bolt extends into the header strike with a "scissor like" action.

Centerline of cylinder 30-50" (762 mm - 1270 mm), 55-78" (1397 mm - 1981.2 mm)
to top of door: 1981.2 mm), 79-92" (2006.6 mm - 2336.8 mm)

- Installed in the inactive leaf
- Rod is zinc plated steel
- Nylon strike included (required for operation)



Order No.	Description
HDB-4085	Centerline of cylinder to top of door 30" to 50" (752 mm to 1270 mm)
HDB-4085-1	Centerline of cylinder to top of door 55" to 78" (1397 mm to 1981.2 mm)
HDB-4085-2	Centerline of cylinder to top of door 79" to 92" (2006.6 mm to 2336.8 mm)



Threshold, Header and Flush Bolts

Flush Bolt – FLB Series

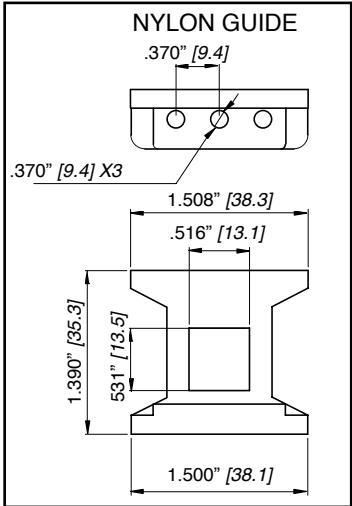
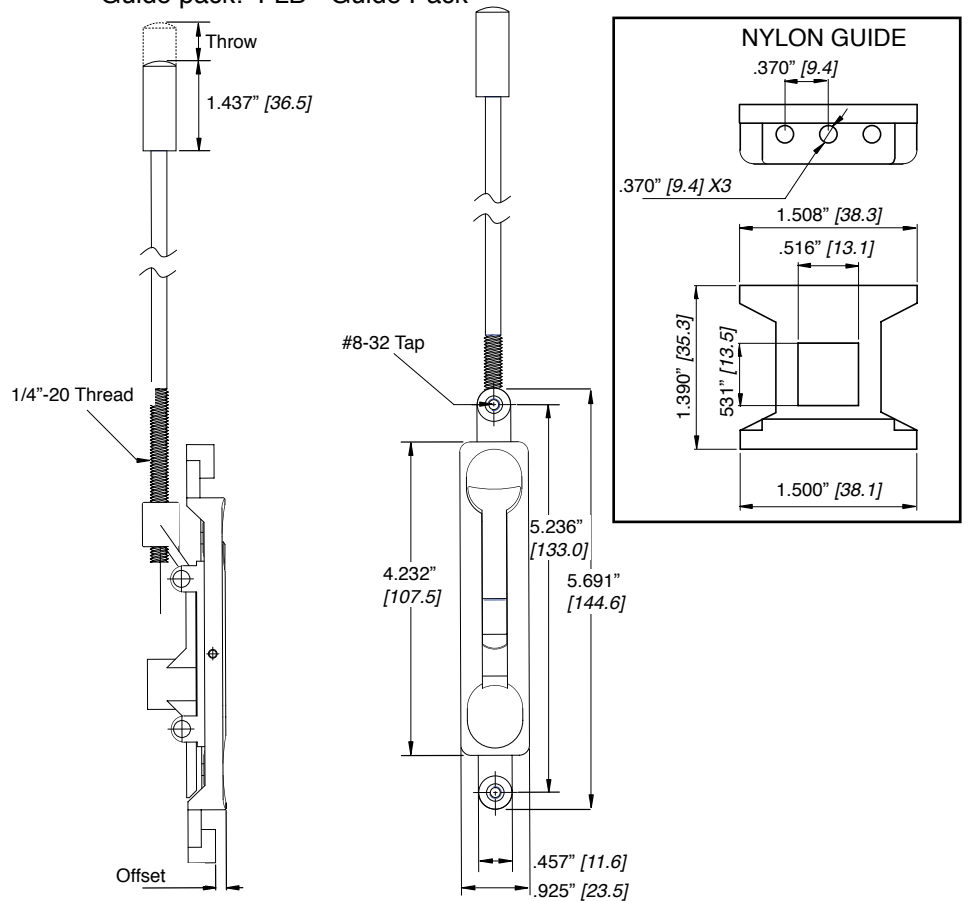
Flush bolts are an economical solution for simply securing the inactive leaf of a double door.

Check applicable building codes before installation and use.

Throw: $\frac{5}{8}$ " (15.87 mm), $\frac{7}{8}$ " (22.23 mm)

Offset: $\frac{3}{16}$ " (4.75 mm) - 11" (279.40 mm) rod, $\frac{1}{8}$ " (3.18 mm) rod, $\frac{1}{4}$ " (6.35 mm) - 11" (279.40 mm) rod

- Length adjustment is achieved by turning the nylon or metal tip rod end
- Easy retrofit
- Zinc plated steel rod with nylon or metal tip
- Available in Aluminum, Dark Bronze and Black
- 16" (406.4 mm) rod available in $\frac{5}{8}$ " (15.87 mm) throw, $\frac{1}{8}$ " (3.18 mm) offset only
- Guide pack: FLB - Guide Pack



How To Order Example		FLB - 58 - 18 - AL - 16*				
		A	B	C	D	E
A Series						
B Throw	58 = $\frac{5}{8}$ " (16 mm) 78 = $\frac{7}{8}$ " (22 mm)					
C Offset	316 = $\frac{3}{16}$ " (24.61 mm) 18 = $\frac{1}{8}$ " (28.58 mm) 14 = $\frac{1}{4}$ " (6.35 mm)					
D Finish					AL = Aluminum DU = Dark Bronze BLK = Black	
E Rod Length						16=16" (406.40 mm)
					* For $\frac{5}{8}$ " (16 mm) throw, $\frac{1}{8}$ " (3.18 mm) offset only * Metal tip flush bolts available in $\frac{1}{8}$ " (3.18 mm) offset, $\frac{5}{8}$ " (15.87 mm) and $\frac{7}{8}$ " (22.23 mm) throw	

Accessories



LI-408-AL

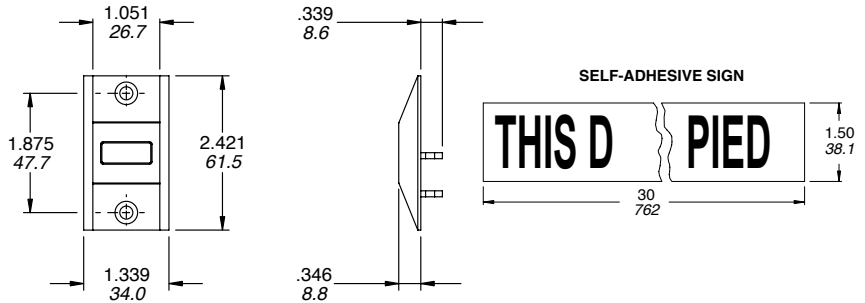
THIS DOOR TO REMAIN UNLOCKED WHEN THE BUILDING IS OCCUPIED
THIS DOOR TO REMAIN UNLOCKED DURING BUSINESS HOURS

Lock Indicator Sets

Adds notification of locked or open to an exit door. "Open" appears in Green letters and "Locked" appears in Red letters.

Includes: Zinc alloy escutcheon, 2 self adhesive signs (shown left) and 2 pins, 2 screws

Product No.	Description
LI-408-AL	Lock Indicator - Aluminum Powder Coat Finish
LI-408-DU	Lock Indicator - Dark Bronze Powder Coat Finish
LI-408-BLK	Lock Indicator - Black Powder Coat Finish



Straight Bolt Faceplate Hook Bolt Faceplate Deadlatch Faceplate ANSI Hook Bolt Faceplate

Faceplates

For Straight Bolt, Hook Bolt and Deadlatch

Finishes: Aluminum Anodized, Dark Bronze Anodized, Black Anodized
 Dimensions: 1"x 6 7/8" (25.4 mm x 174.63 mm)

For ANSI sized Hook Bolt, Plate only

Finishes: Aluminum Anodized, Dark Bronze Anodized
 Dimensions: 1 1/4"x 8" (31.75 mm x 203.2 mm)

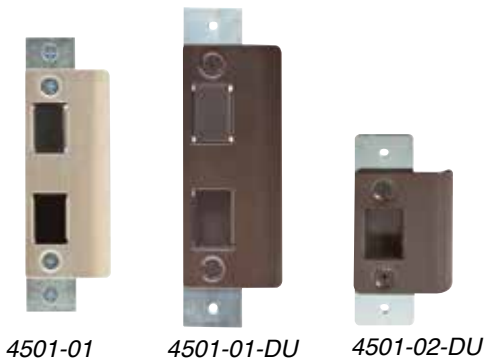
Product No.	Description
FP-HB-F-NH-628-AN	Faceplate, Hook Bolt, Flat, Non Handed, Aluminum Finish, ANSI Sized
FP-HB-F-NH-313-AN	Faceplate, Hook Bolt, Flat, Non Handed, Dark Bronze Finish, ANSI Sized

How To Order Example

FP - DB - F - NH - 628

A	B	C	D	E
<p>A Series FP</p> <hr/> <p>B Style</p> <p>DB = Deadbolt HB = Hookbolt DL = Deadlatch</p> <hr/> <p>C</p> <p>F = Flat B = Bevel R = Radius RW = Radius w/Weather Strip</p>	<p style="text-align: center;">RIGHT LEFT</p>	<p>D Handing</p> <p>LH = Left Handed RH = Right Handed NH = Non-Handed</p> <hr/> <p>E Anodized Finish</p> <p>628 = Aluminum 313 = Dark Bronze 335 = Black</p>		

Strikes
For Deadlatch

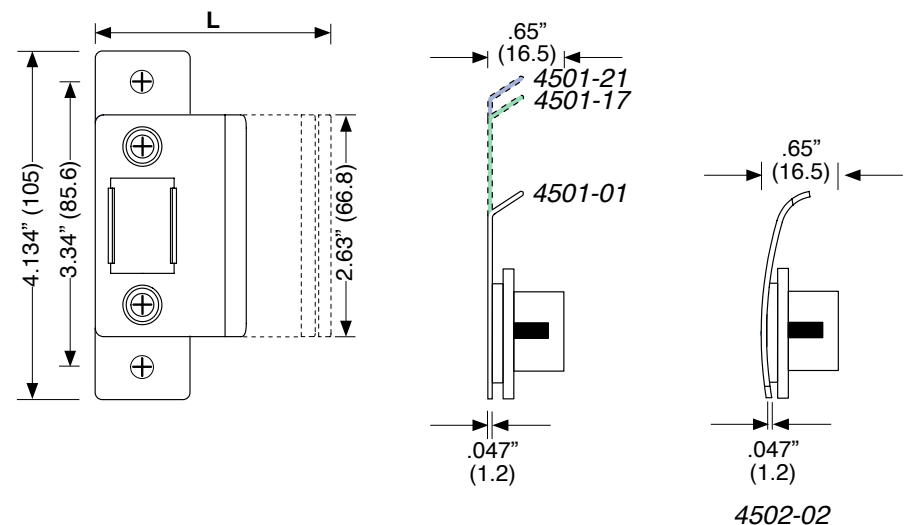
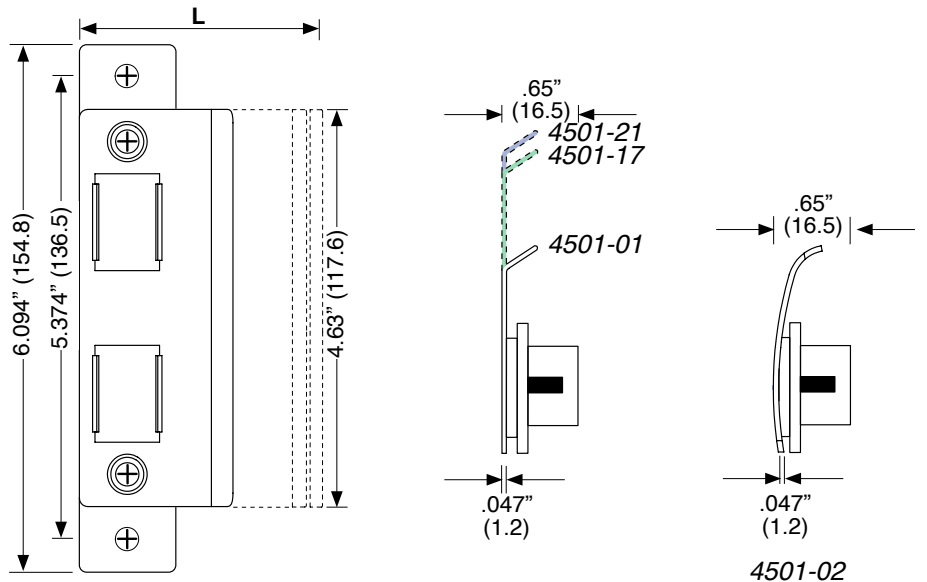


4501-01 4501-01-DU 4501-02-DU



4502-01 4502-17

Order No.	Dimension	Description
4501-01	1.87" (45.7 mm)	Long Lip Standard
4501-01-DU	Same as 4501-01 except Dark Bronze color	
4501-02	1.87" (45.7 mm)	Long Lip Radius
4501-02-DU	Same as 4501-02 except Dark Bronze color	
4502-01	1.87" (45.7 mm)	Short Lip Standard
4502-01-DU	Same as 4502-01 except Dark Bronze color	
4502-02	1.87" (45.7 mm)	Short Lip Radius
4502-02-DU	Same as 4502-02 except Dark Bronze color	
4501-17	2.90" (73.6 mm)	Long strike extended lip for center hung doors 4" (101.60 mm) frame
4501-21	3.13" (79.5 mm)	Long strike extended lip for center hung doors 4.5" (114.30 mm) frame
4502-17	2.90" (73.6 mm)	Short strike extended lip for center hung doors 4" (101.60 mm) frame
4502-21	3.13" (79.5 mm)	Short strike extended lip for center hung doors 4.5" (114.30 mm) frame



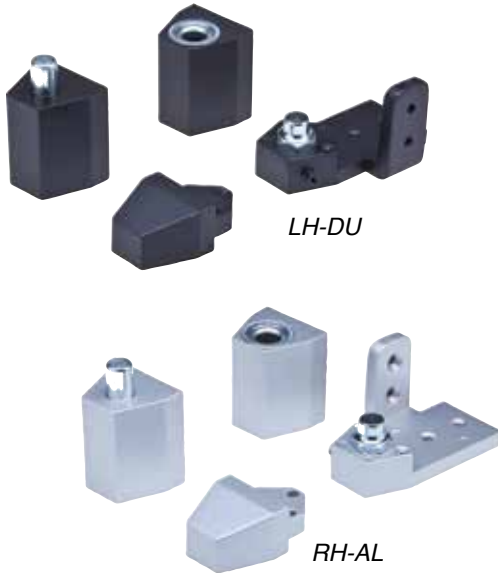
Offset Pivots - For Aluminum Doors and Frames

- All parts in die cast aluminum
- Full race ball bearing incorporated into bottom pivot portion
- No sag, weight of door rests on floor mounted pivot portion
- Theft resistant, yet easily removable
- 1/8" (3.18 mm) vertical adjustment
- All weatherproof
- LH & RH available
- Available in painted clear aluminum or dark bronze (Special order colors are available upon request)
- All fasteners included in sets. Fasteners (screw packs) can also be purchased separately

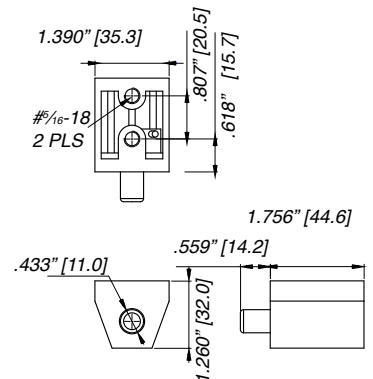
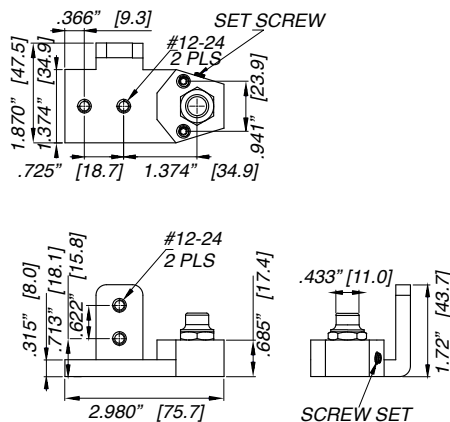
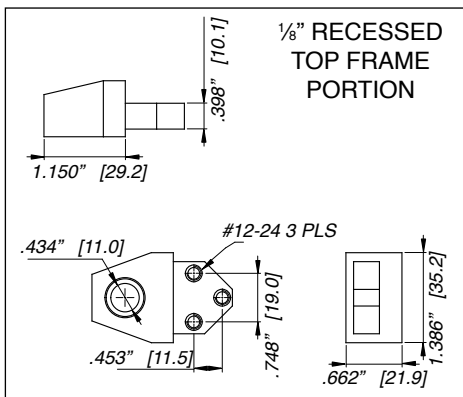
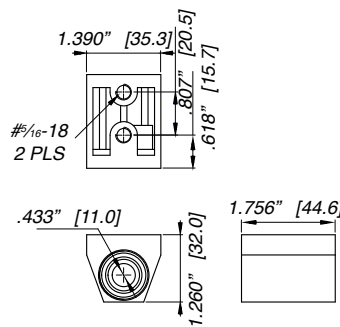
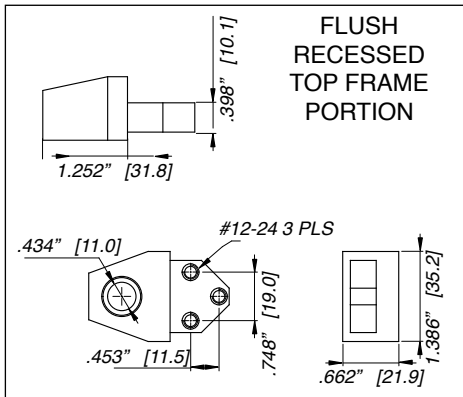
IL-OP-10 Series

1/8" (3.18 mm) Recessed and Flush Door Pivot Sets

Master Carton Quantity: 50



Product No.	Description
IL-OP-10-LH-AL SETS	Flush Pivot Set - LH Clear
IL-OP-10-LH-DU SETS	Flush Pivot Set - LH Dark Bronze
IL-OP-10-RH-AL SETS	Flush Pivot Set - RH Clear
IL-OP-10-RH-DU SETS	Flush Pivot Set RH Dark Bronze
IL-OP-10-LH-AL-18 SETS	1/8" (3.18 mm) Recessed Pivot Set - LH Clear
IL-OP-10-LH-DU-18 SETS	1/8" (3.18 mm) Recessed Pivot Set - LH Dark Bronze
IL-OP-10-RH-AL-18 SETS	1/8" (3.18 mm) Recessed Pivot Set - RH Clear
IL-OP-10-RH-DU-18 SETS	1/8" (3.18 mm) Recessed Pivot Set RH Dark Bronze
IL-OP-10 SCREW PACK-AL	Screw Pack - AL
IL-OP-10 SCREW PACK-DU	Screw Pack - DU



Offset Pivots - For Aluminum Doors and Frames

IL-OP-12 Series

1/8" (3.18 mm) Recessed Pivot Sets

Master Carton Quantity: 50

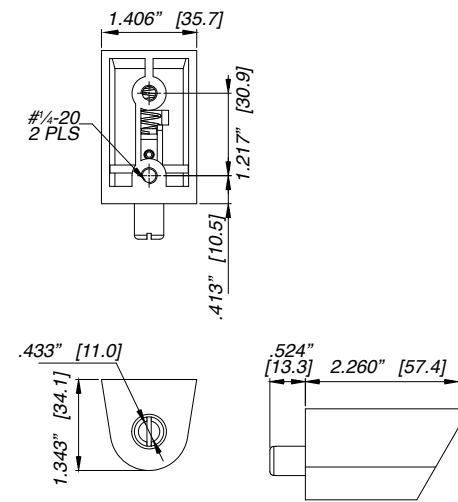
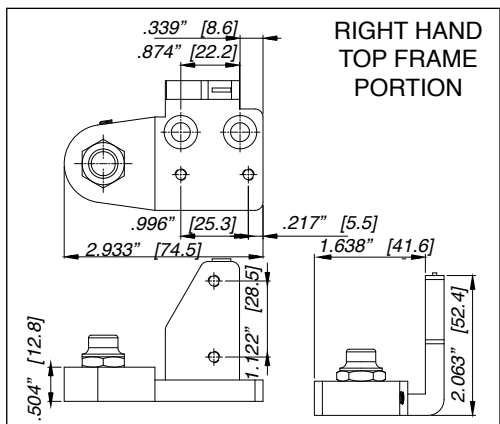
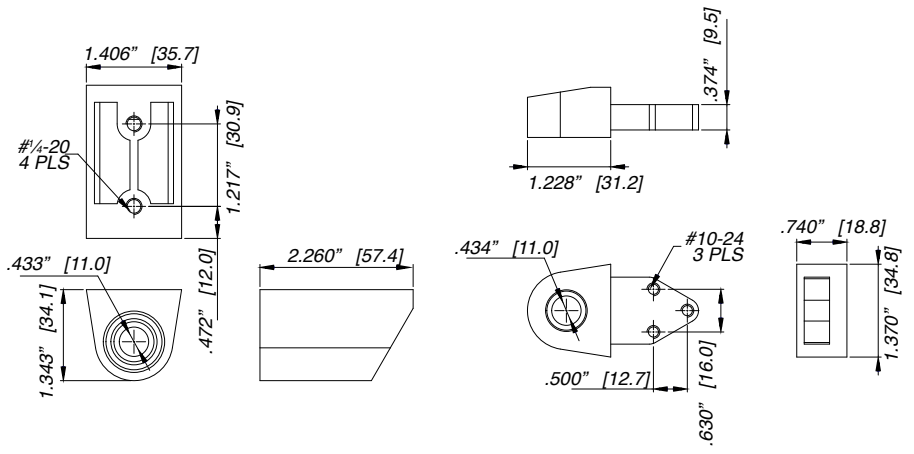
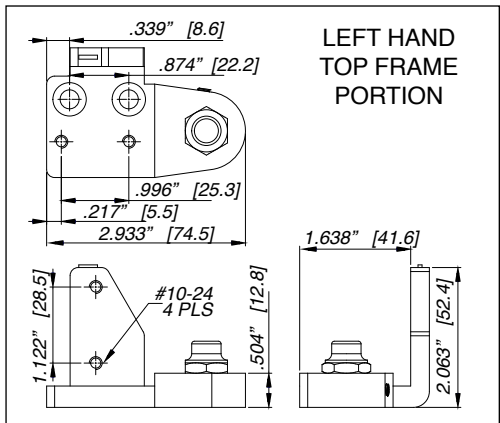


LH-AL



RH-DU

Product No.	Description
IL-OP-12-RH-AL SETS	1/8" (3.18 mm) Recessed Pivot Sets - RH - Clear
IL-OP-12-LH-AL SETS	1/8" (3.18 mm) Recessed Pivot Sets - LH - Clear
IL-OP-12-RH-DU SETS	1/8" (3.18 mm) Recessed Pivot Sets - RH - Dark Bronze
IL-OP-12-LH-DU SETS	1/8" (3.18 mm) Recessed Pivot Sets - LH - Dark Bronze
IL-OP-12 SCREW PACK-AL	Screw Pack - AL
IL-OP-12 SCREW PACK-DU	Screw Pack - DU



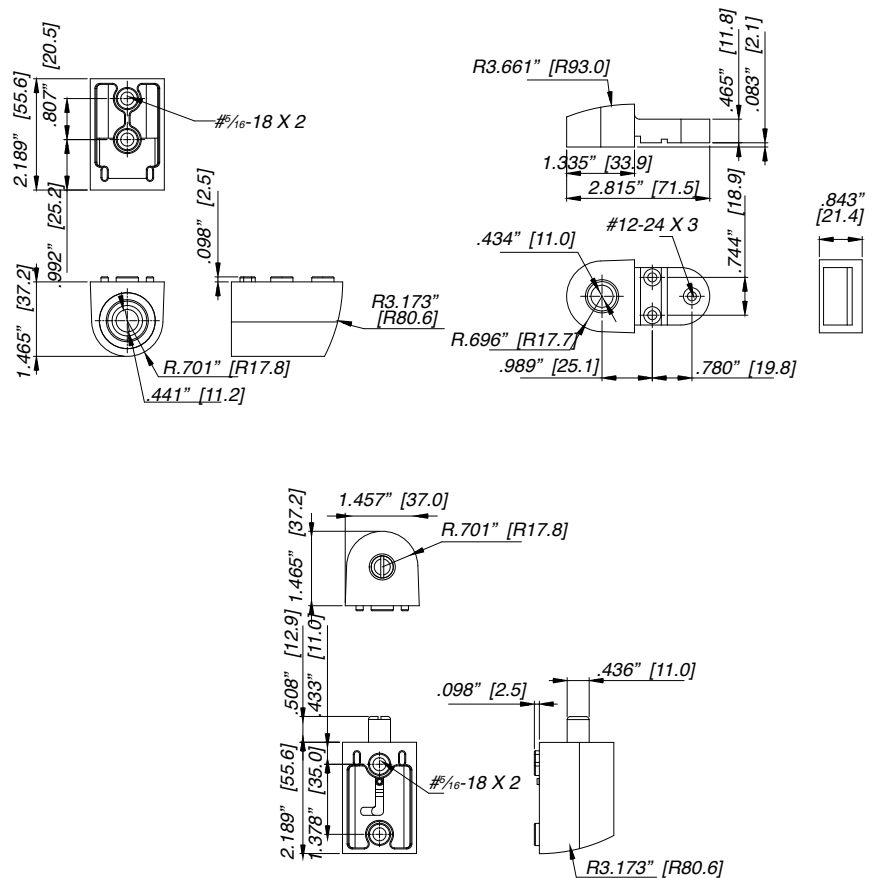
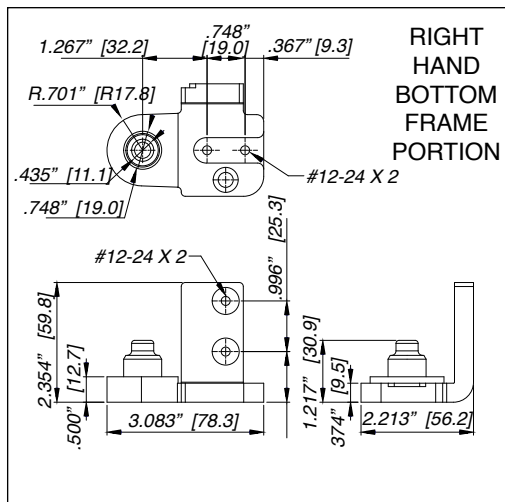
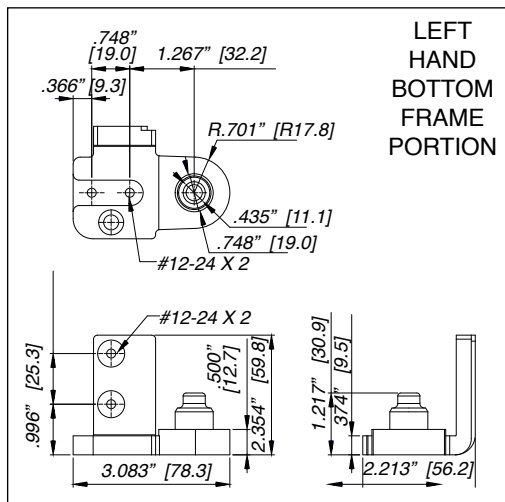
Offset Pivots - For Aluminum Doors and Frames



IL-OP-13 Series

1/8" (3.18 mm) Recessed Pivot Sets
Master Carton Quantity: 25

Product No.	Description
IL-OP-13-LH-AL SETS	1/8" (3.18 mm) Recessed Pivot Set - LH Clear
IL-OP-13-LH-DU SETS	1/8" (3.18 mm) Recessed Pivot Set - LH Dark Bronze
IL-OP-13-RH-AL SETS	1/8" (3.18 mm) Recessed Pivot Set - RH Clear
IL-OP-13-RH-DU SETS	1/8" (3.18 mm) Recessed Pivot Set RH Dark Bronze
IL-OP-13 SCREW PACK-AL	Screw Pack - AL
IL-OP-13 SCREW PACK-DU	Screw Pack - DU



Offset Pivots - For Aluminum Doors and Frames

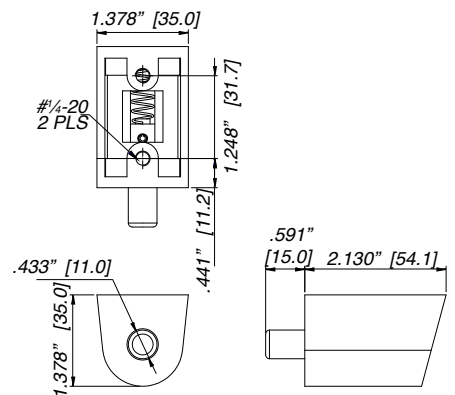
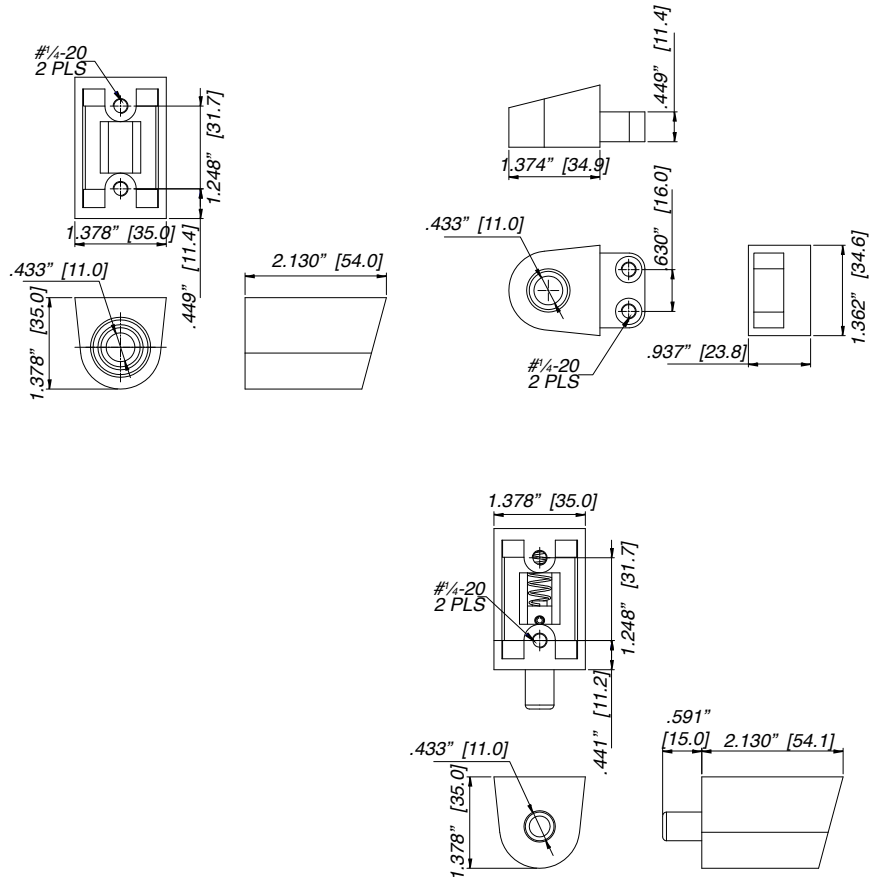
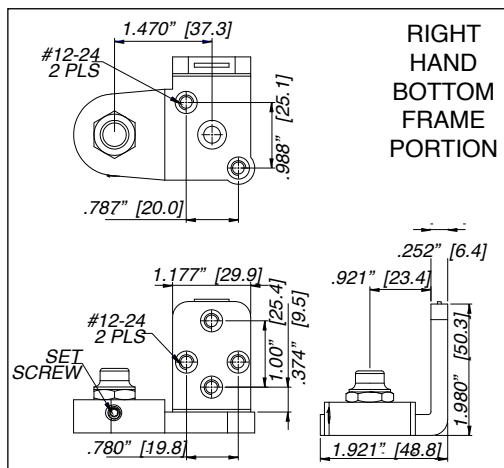
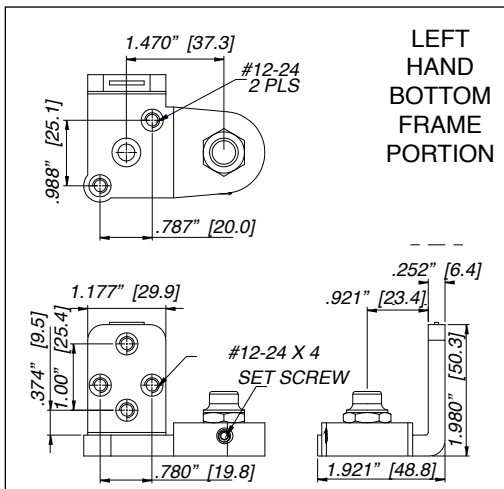
IL-OP-14 Series

Flush Door Pivot Sets

Master Carton Quantity: 50



Product No.	Description
IL-OP-14-LH-AL SETS	Flush Pivot Set - LH Clear
IL-OP-14-LH-DU SETS	Flush Pivot Set - LH Dark Bronze
IL-OP-14-RH-AL SETS	Flush Pivot Set - RH Clear
IL-OP-14-RH-DU SETS	Flush Pivot Set RH Dark Bronze
IL-OP-14 SCREW PACK-AL	Screw Pack - AL
IL-OP-14 SCREW PACK-DU	Screw Pack - DU



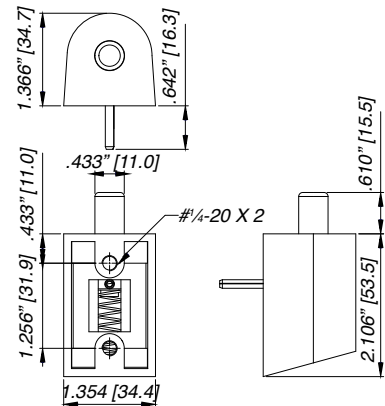
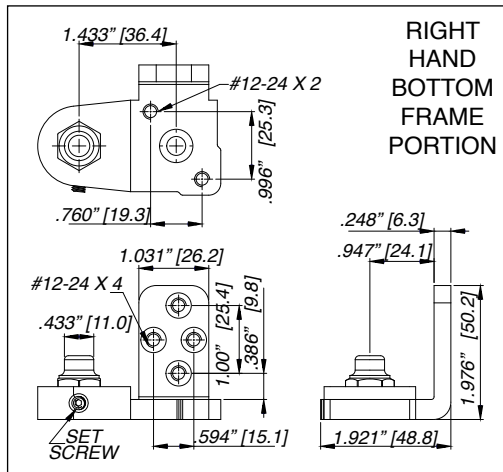
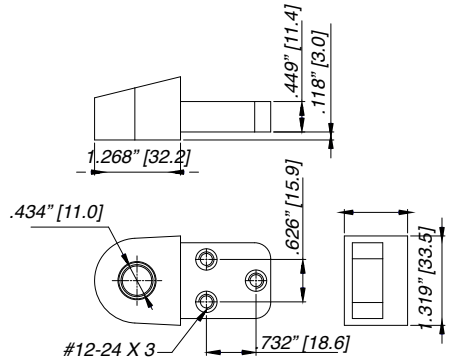
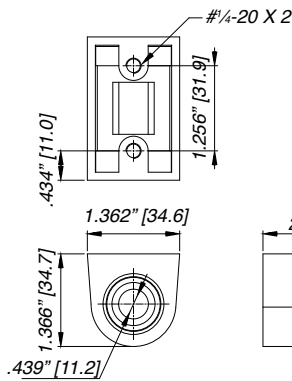
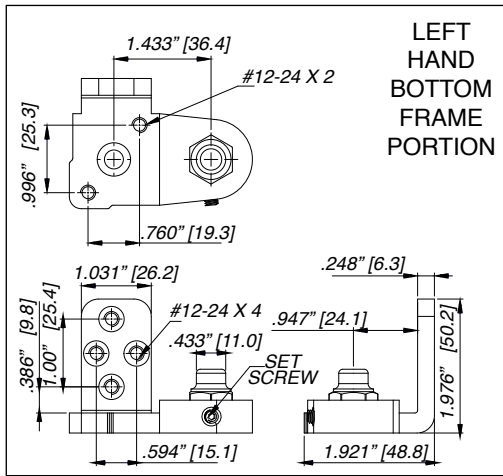
Offset Pivots - For Aluminum Doors and Frames

IL-OP-15 Series

$3\frac{1}{32}$ " (24.61 mm) Recessed Pivots Sets
Master Carton Quantity: 50



Product No.	Description
IL-OP-15-LH-AL SETS	$3\frac{1}{32}$ " (24.61 mm) Pivot Set - LH Clear
IL-OP-15-LH-DU SETS	$3\frac{1}{32}$ " (24.61 mm) Pivot Set - LH Dark Bronze
IL-OP-15-RH-AL SETS	$3\frac{1}{32}$ " (24.61 mm) Pivot Set - RH Clear
IL-OP-15-RH-DU SETS	$3\frac{1}{32}$ " (24.61 mm) Pivot Set RH Dark Bronze
IL-OP-15 SCREW PACK-AL	Screw Pack - AL
IL-OP-15 SCREW PACK-DU	Screw Pack - DU



Offset Pivots - For Aluminum Doors and Frames

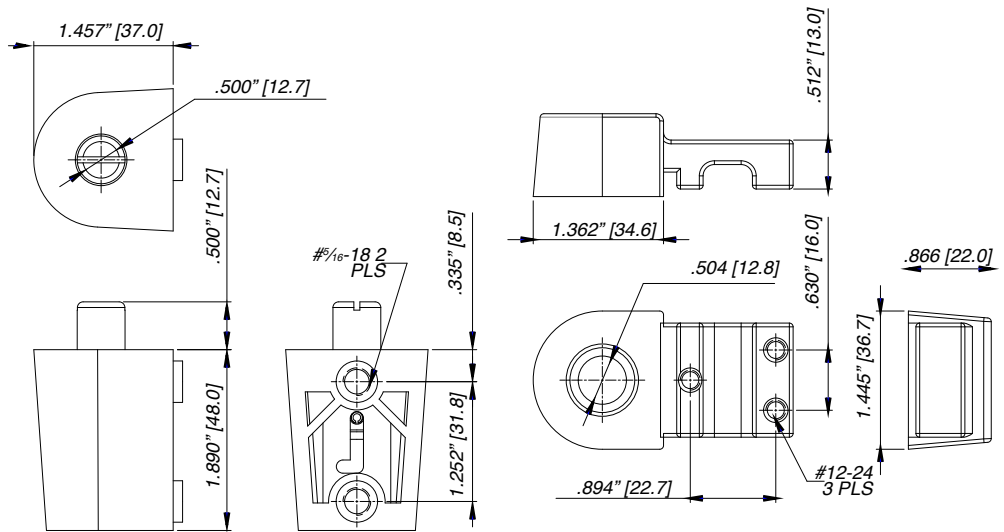
IL-OP-18 Top Portion Set

1/8" (3.18 mm) Kawneer® Style Pivot Sets

Master Carton Quantity: 50



Product No.	Description
IL-OP-18-AL TOP PIVOT SET	1/8" (3.18 mm) Recessed Kawneer® Top Pivot Set Clear
IL-OP-18-DU TOP PIVOT SET	1/8" (3.18 mm) Recessed Kawneer® Top Pivot Set Dark Bronze
IL-OP-18 SCREW PACK-AL	Screw Pack - AL
IL-OP-18 SCREW PACK-DU	Screw Pack - DU



Kawneer is a registered trademark of Alcoa, Inc.

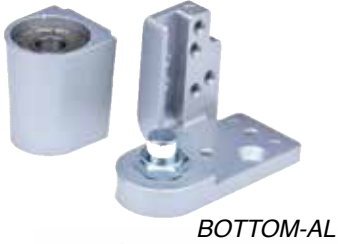


Offset Pivots - For Aluminum Doors and Frames

IL-OP-18 Bottom Portion Set

1/8" (3.18 mm) Kawneer® Style Pivot Sets

Master Carton Quantity: 50

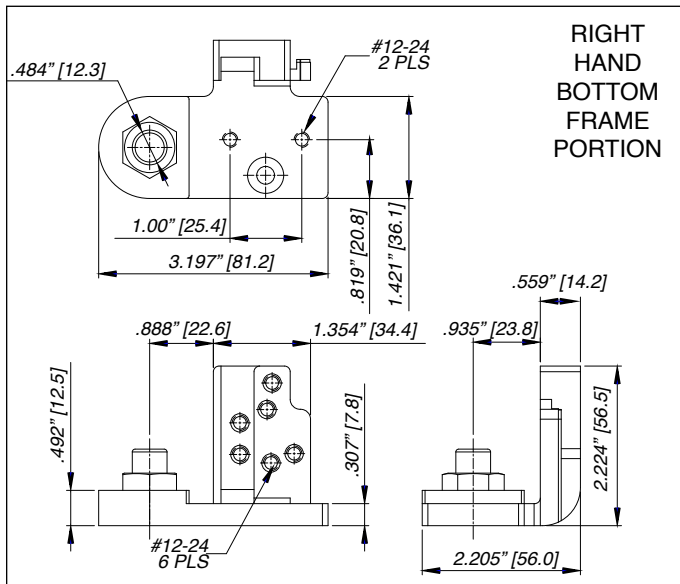
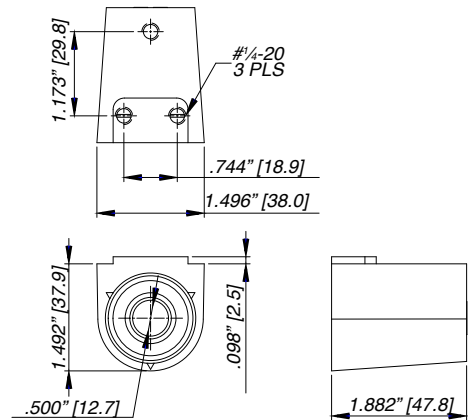
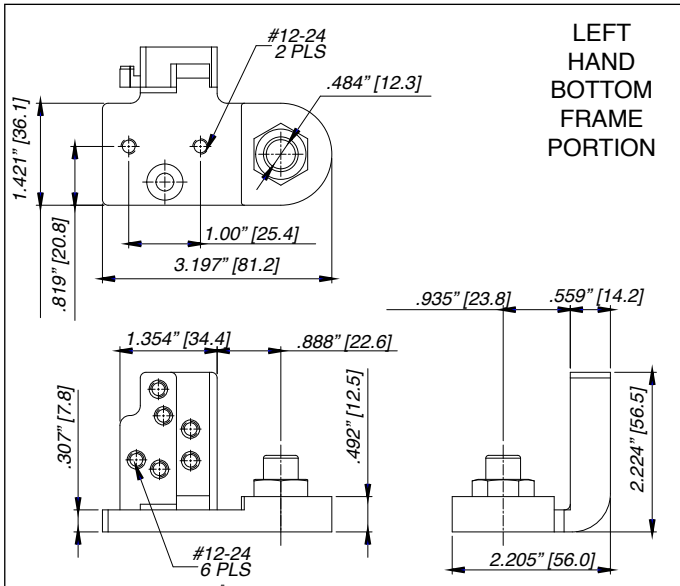


BOTTOM-AL



BOTTOM-DU

Product No.	Description
IL-OP-18-LH-AL BOTTOM SET	1/8" (3.18 mm) Recessed Kawneer® Bottom Pivot Set Clear - LH
IL-OP-18-LH-DU BOTTOM SET	1/8" (3.18 mm) Recessed Kawneer® Bottom Pivot Set Dark Bronze - LH
IL-OP-18-RH-AL BOTTOM SET	1/8" (3.18 mm) Recessed Kawneer® Bottom Pivot Set Clear- RH
IL-OP-18-RH-DU BOTTOM SET	1/8" (3.18 mm) Recessed Kawneer® Bottom Pivot Set Dark Bronze- RH
IL-OP-18 SCREW PACK-AL	Screw Pack - AL
IL-OP-18 SCREW PACK-DU	Screw Pack - DU



Kawneer is a registered trademark of Alcoa, Inc.

Offset Pivots - For Aluminum Doors and Frames

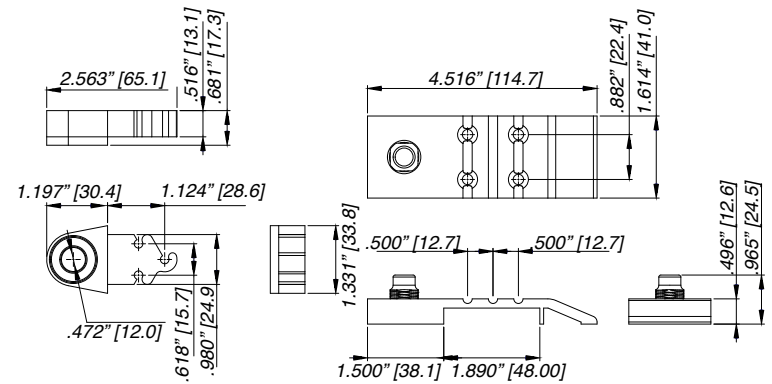
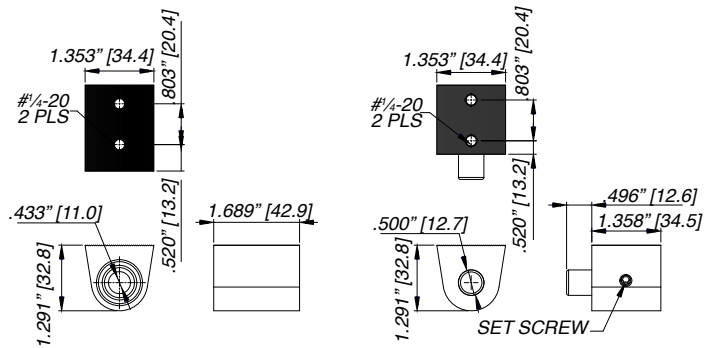
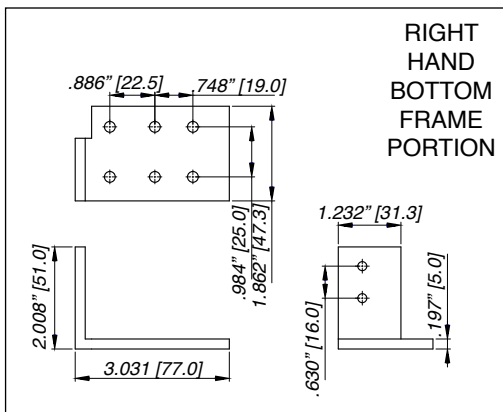
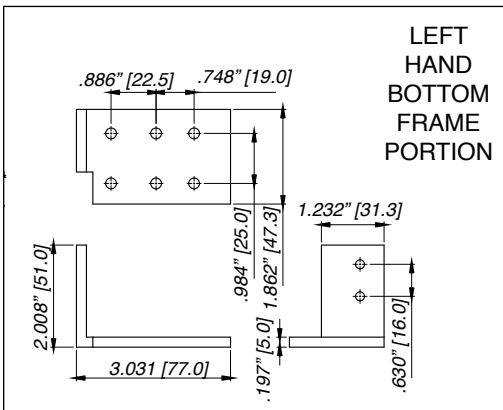
IL-OP-19 Series

1/8" (3.18 mm) Recessed Pivot Sets

Master Carton Quantity: 50



Product No.	Description
IL-OP-19-LH-AL	1/8" (3.18 mm) Recessed Bottom Pivot Set Clear - LH
IL-OP-19-LH-DU	1/8" (3.18 mm) Recessed Bottom Pivot Set Dark Bronze - LH
IL-OP-19-RH-AL	1/8" (3.18 mm) Recessed Bottom Pivot Set Clear - RH
IL-OP-19-RH-DU	1/8" (3.18 mm) Recessed Bottom Pivot Set Dark Bronze- RH



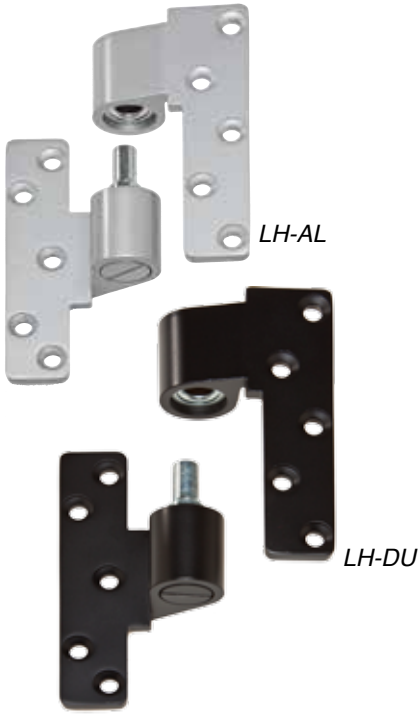
Intermediate Pivots - For Aluminum Doors and Frames

IP-10 Series

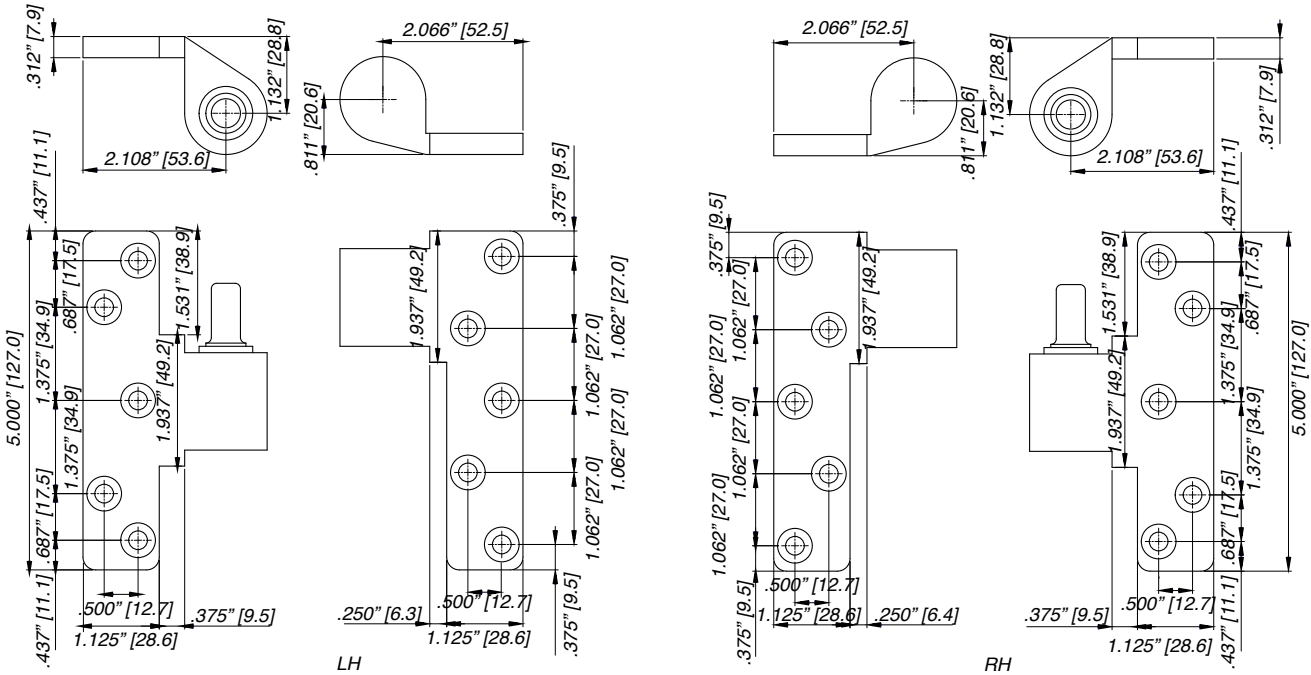
- 3/4" (19.05 mm) Offset
- Full race ball bearing unit incorporated on pivot door portion
- Easy vertical adjustment
- Supplied with fasteners

Available finishes: Clear, Dark Bronze, Black

Master Carton Quantity: 50



Product No.	Description
IP-10-LH-AL	Intermediate Pivot Set - LH - Clear
IP-10-RH-AL	Intermediate Pivot Set - RH - Clear
IP-10-LH-DU	Intermediate Pivot Set - LH - Dark Bronze
IP-10-RH-DU	Intermediate Pivot Set - RH - Dark Bronze
IP-10-LH-DU-2	Intermediate Pivot Set - LH - Black
IP-10-RH-DU-2	Intermediate Pivot Set - RH - Black



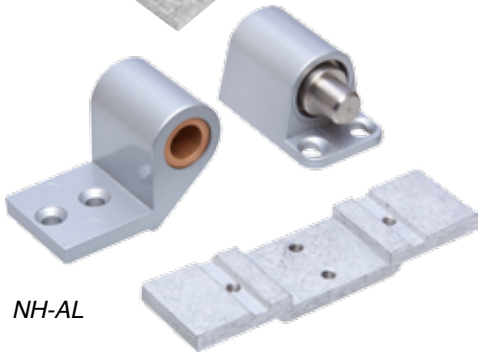
Intermediate Pivots - For Aluminum Doors and Frames

IP-12 Series

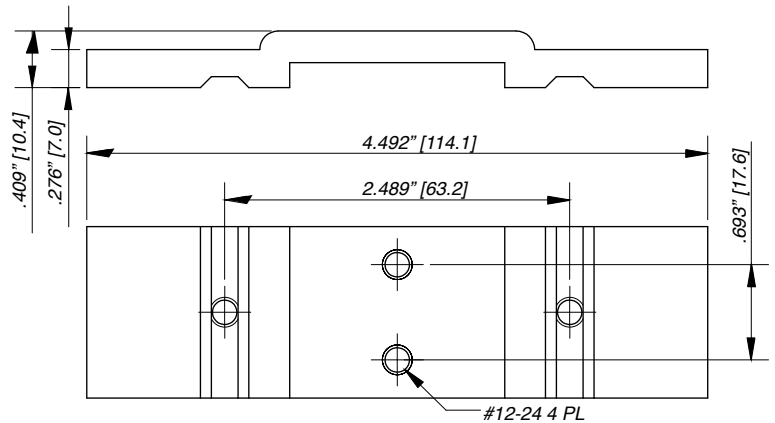
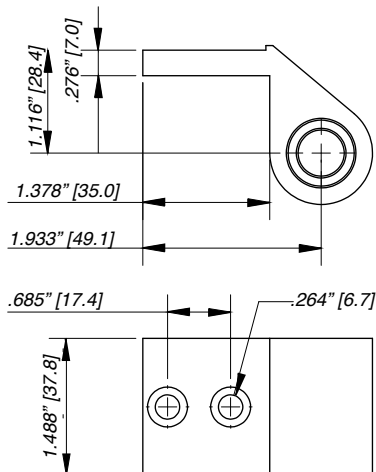
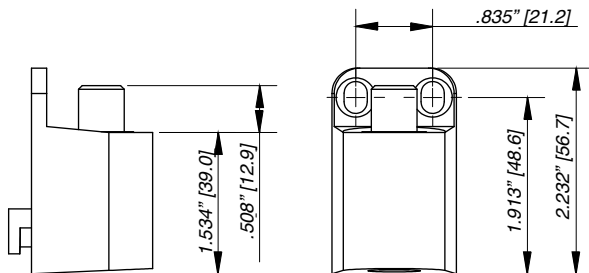
- All parts in die cast and extruded aluminum
- Full race ball bearing unit incorporated on pivot door portion
- Supplied with fasteners
- Non-handed, fully reversible

Available finishes: Clear, Dark Bronze, Black

Master Carton Quantity: 50



Product No.	Description
IP-12-NH-AL	Intermediate Pivot -NH- Clear
IP-12-NH-DU	Intermediate Pivot -NH- Dark Bronze
IP-12-NH-DU-2	Intermediate Pivot -NH- Black



Intermediate Pivots - For Aluminum Doors and Frames



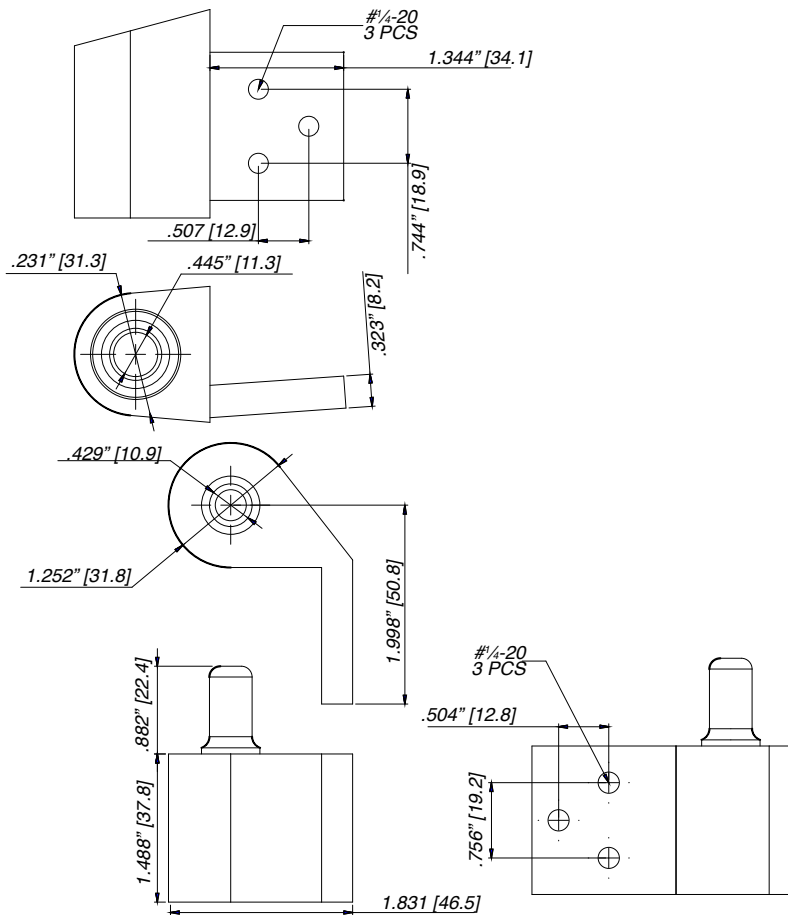
IP-22 Series

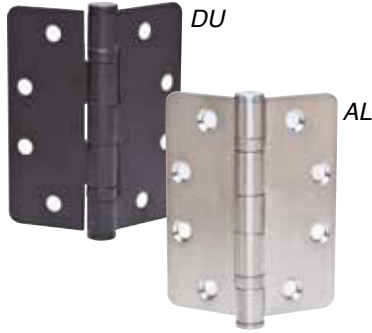
- $\frac{3}{4}$ " (19.05 mm) Offset
- Full race ball bearing unit incorporated on pivot door portion
- Easy vertical adjustment
- Supplied with fasteners

Available finishes: Clear, Dark Bronze

Master Carton Quantity: 50

Product No.	Description
IP-22-LH-AL	Intermediate Pivot - LH - Clear
IP-22-LH-DU	Intermediate Pivot - LH - Dark Bronze
IP-22-RH-AL	Intermediate Pivot - RH - Clear
IP-22-RH-DU	Intermediate Pivot - RH - Dark Bronze

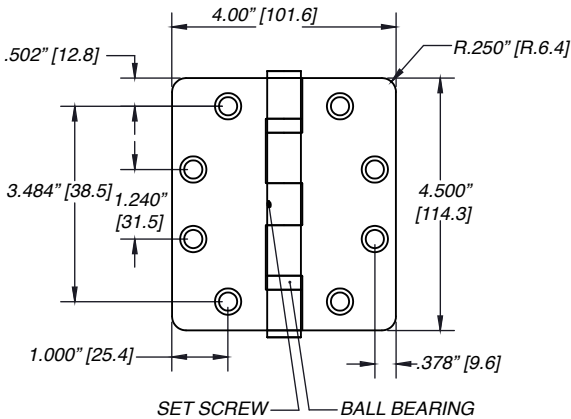




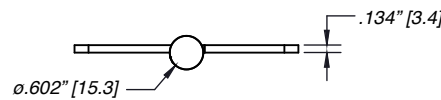
IL-45 Series

- Non-corrosive stainless steel
- Non-removable pin (prevents removal of pin when door is in closed position)
- Supplied zero swagged with machine screws
- Dimensions: 4.5" x 4" x .134" (114.3 mm x 101.6 mm x 3.4 mm)

Available finishes: Clear, Dark Bronze
Master Carton Quantity: 60



Product No.	Description
IL-4540BBNRP-AL	4.5" x 4.0" (114.3 mm x 101.6 mm) - Butt Hinge, 32D finish
IL-4540BBNRP-DU	4.5" x 4.0" (114.3 mm x 101.6 mm) - Butt Hinge, 10B finish



IL-KDDH-4-AL

IL-KDDH-5-DU

IL-KDDH Series 4" and 5"

- Concentric groove design on stop provides maximum non-slide grip
- Stainless steel spring retains arm in vertical position when not in use
- Narrow mounting bracket suits most doors

Available Finishes: Clear, Dark Bronze, Black

Dimensions: 4" / 5" (101.6 mm / 127 mm)

Base: $\frac{7}{8}" \times 1" \times \frac{3}{4}"$ / $1\frac{1}{2}" \times 2"$ (22.2 mm x 25.4 mm x 19.1 mm / 38.1 mm x 50.8 mm)

IL-PDDH Series

- Heavy duty design for metal or wood doors
- Easy step on operation for quick holding and release of doors
- Grooved stroke for added holding and strength

Available Finishes: Clear, Dark Bronze, Black, 26D

Dimensions: $7\frac{3}{4}" \times 1\frac{5}{8}" \times 1\frac{13}{64}"$ (196.9 mm x 41.28 mm x 30.56 mm)

IL-PDDH-AL

IL-PDDH-BLK



IL-PDDH-DU



Replacement Tip

Product No.	Description
IL-KDDH-4-AL	4" (101.6 mm) Kick Down Door Holder - Clear
IL-KDDH-4-DU	4" (101.6 mm) Kick Down Door Holder - Dark Bronze
IL-KDDH-4-BLK	4" (101.6 mm) Kick Down Door Holder - Black
IL-KDDH-5-AL	5" (127 mm) Kick Down Door Holder - Clear
IL-KDDH-5-DU	5" (127 mm) Kick Down Door Holder - Dark Bronze
IL-KDDH-5-BLK	5" (127 mm) Kick Down Door Holder - Black
IL-PDDH-AL	Push Down Door Holder - Clear
IL-PDDH-DU	Push Down Door Holder - Dark Bronze
IL-PDDH-BLK	Push Down Door Holder - Black
IL-PDDH-26D	Push Down Door Holder - 26D
IL-PDDH-Replacement Tip	Replacement Tip for Push Down



400 Jeffreys Road
Rocky Mount, NC 27804

www.ilco.us

800.334.1381

The  to your success