

# STANDARD BRASS 2-VALVE MANIFOLD



SURGE DAMPENED GAUGES FOR REDUCED NEEDLE MOVEMENT

ORIGINAL FREE FLOATING DUAL O-RING SEALING SYSTEM FOR FASTER EVACUATION/CHARGING

AVAILABLE WITH 2-1/2" AND 3-1/8" SIZE GAUGES WITH AND WITHOUT BOOTS

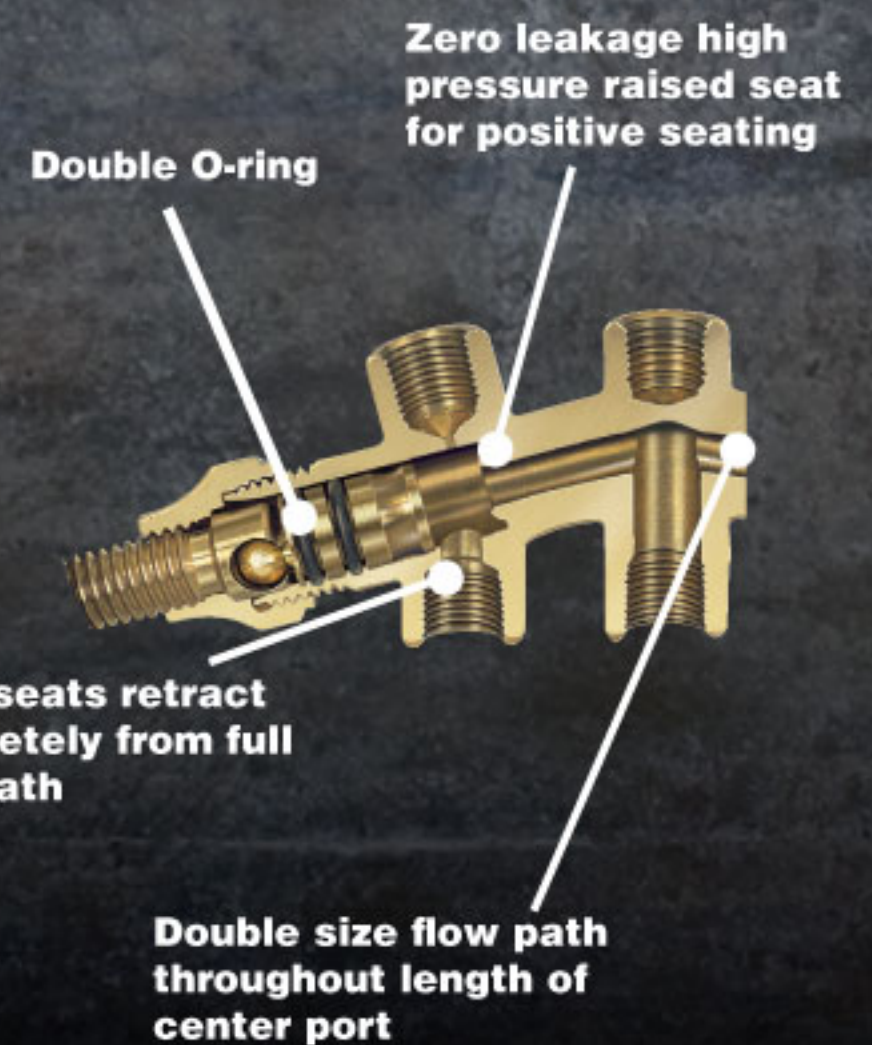
ALL METAL GAUGES

COLOR-CODED REFRIGERANT DIALS FOR EASY READING

PULL-OUT PROOF HANGING HOOK

REPLACEABLE INTAKE/HOSE HOLDER FITTINGS FOR STORAGE

EASY TURNING PLASTIC HANDWHEELS (METAL AVAILABLE ON SELECT MODELS)



## THE INDUSTRY STANDARD

The industry standard for countless years, the JB M2 series of manifolds features our full flow design for faster evacuation/charging. Coupled with an angled bar for better knuckle clearance in rotating the hand wheels, and the original free flowing dual O-ring sealing system, the M2 is the classic American made manifold.



CONNECT WITH US  
Visit us at [www.jbind.com](http://www.jbind.com)

AMERICAN  
MADE

JB INDUSTRIES

[www.jbind.com](http://www.jbind.com) 800.323.0811 [sales@jbind.com](mailto:sales@jbind.com)

