

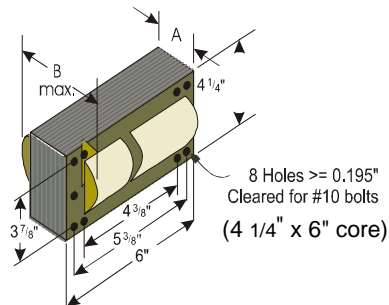


HID BALLAST KIT

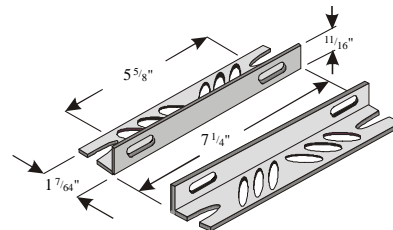


Model No:	1XUG1					CAPACITOR (Required)		
Input Voltage	120	208	240	277	480	Capacitance	26 μ F \pm 3%	
Operating Current	9.5	5.5	4.7	4.1	2.4	Case Max. Temperature	100°C	
Open Circuit Current	4.5	2.7	2.4	2.1	1.2	Minimum Volts	525V	
Lamp Starting Current	6.6	6.5	6.5	6.5	6.5	Oil	Diameter	2.0"
Lamp ACF	1.6	1.6	1.6	1.6	1.6			
Recommended Fuse	25	15	10	10	6			
UL 1029 Bench Top Rise	D	D	D	D	D			
Input Power	1102W							
Power Factor	\geq 90%					Igniter (Required)		
Open Circuit Voltage	435 (400 ~ 480V)					Igniter Model	#HPS1K	
Short Circuit Current (Sec.)	4.7 - 8.0 A					Pulse Height (kV)	3.0 ~ 5.0	
Insulation System	Class H, 180°C					Pulse Width (\geq μ s)	4.0	
Ballast Dimension	A	3.8"						
	B	6.1"						
Ballast Net Weight	28 lbs.					Min. Starting Temp.	-40°F / -40°C	
Leads	12"-Cross Link Polyolefin					Regulation	Industry Standard	
Ballast Type	High Pressure Sodium					Circuit Type	CWA	
Lamp Watts/ANSI Code (lamp)	1000W/ S-52					Input Frequency	60 Hz	

Dimensions



Bracket Dimensions





HID BALLAST KIT



1XUG1
5HPS1000SC



1 1XUG1

Mfg. for Grainger International Inc.
Lake Forest, IL 60045
Made in China

High Pressure Sodium 1000W

5Tap: 60Hz. 120V/208V/240V/277V/480V
Current Ratings: 9.5A/5.5A/4.7A/4.1A/2.4A

For: 1-1000Watt S-52HPS Lamp

O.C.V. -435V HIGH POWER FACTOR

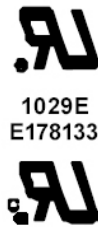
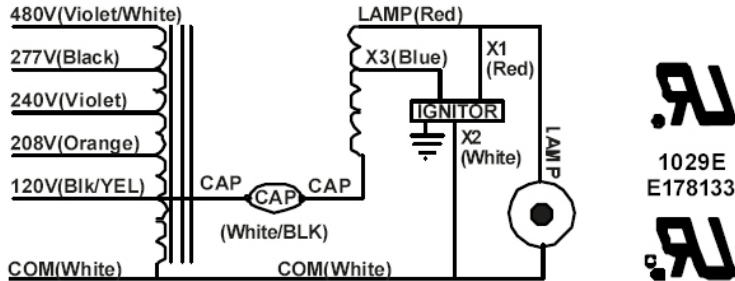
CAP: 26mfd 525V RDIS: max 750k Ohms

CLASSH, 180°C INSULATION SYSTEM-1029E

CONSTANT WATTAGE AUTOTRANSFORMER

Install in Accordance with National and

Local Electrical Codes



Ground Ballast Core and Metallic Capacitor Case

FIXTURE TEST DATA: INPUT CURRENT

<u>VOLTAGE</u>	<u>OPEN CIRCUIT</u>	<u>SHORT CIRCUIT</u>
120V	2.2-6.7A	3.1-9.3A
208V	1.4-4.1A	1.8-5.4A
240V	1.2-3.6A	1.6-4.7A
277V	1.0-3.1A	1.4-4.1A
480V	0.6-1.8A	0.8-2.4A

OCV: 400-480V

SHORT CKT SEC.: 4.7-8.0A