

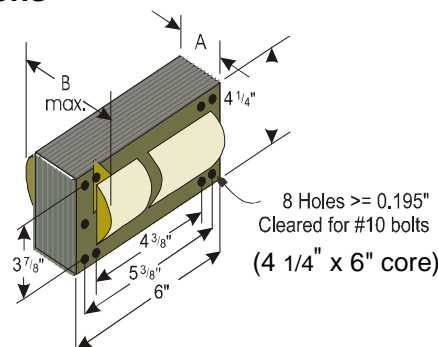


# HID BALLAST KIT

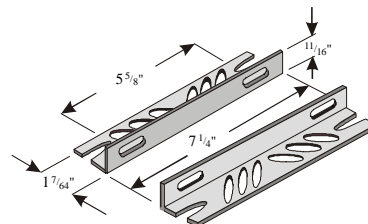


Model No:	1XUF9				CAPACITOR (Required)		
Input Voltage	120	208	240	277	Capacitance	26 $\mu$ F $\pm$ 3%	
Operating Current	9.4	5.5	4.7	4.1	Case Max. Temperature	100°C	
Open Circuit Current	4.8	2.8	2.5	2.1	Minimum Volts	525V	
Lamp Starting Current	6.6	6.4	6.4	6.5			
Lamp ACF	1.6	1.7	1.7	1.7			
Recommended Fuse	25	15	15	10			
UL 1029 Bench Top Rise	A	A	A	A	Oil	Diameter 2.0"	
						Height 4.75"	
Input Power	1100W				Igniter (Required)		
Power Factor	$\geq$ 90%				Igniter Model	#HPS1K	
Open Circuit Voltage	430 (400-480V)				Pulse Height (kV)	3.0 ~ 5.0	
Short Circuit Current (Sec.)	4.7 - 8.0 A				Pulse Width ( $\geq$ $\mu$ s)	4.0	
Insulation System	Class H, 180 °C						
Ballast Dimension	A	3.8"					
	B	6.1"					
Ballast Net Weight	28 lbs.				Min. Starting Temp.	-40 F / -40 C	
Leads	12"-Cross Link Polyolefin				Regulation	Industry Standard	
Ballast Type	High Pressure Sodium				Circuit Type	CWA	
Lamp Watts/ ANSI Code (lamp)	1000W / S-52				Input Frequency	60 Hz	

## Dimensions



## Bracket Dimensions





# HID BALLAST KIT



**1XUF9**  
4HPS1000SC



1 1XUF9

Mfg. for Grainger International Inc.  
Lake Forest, IL 60045  
Made in China

## High Pressure Sodium 1000W

**Quad Tap** 60Hz. 120V/208V/240V/277V

**Current Ratings:** 9.4A/5.5A/4.7A/4.1A

For: 1-1000Watt S-52HPS Lamp

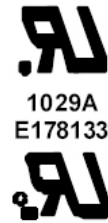
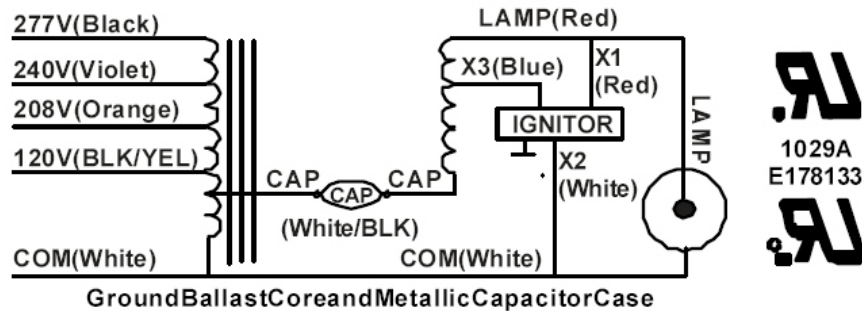
O.C.V.-430V HIGH POWER FACTOR

CAP: 26mfd 525V RDIS: max 750 kOhms

CLASSH, 180°C INSULATION SYSTEM-1029A

CONSTANT WATTAGE AUTO TRANSFORMER

Install in Accordance with National and  
Local Electrical Codes



### FIXTURE TEST DATA: INPUT CURRENT

<u>VOLTAGE</u>	<u>OPEN CIRCUIT</u>	<u>SHORT CIRCUIT</u>
120V	2.4-7.2A	3.1-9.4A
208V	1.4-4.3A	1.8-5.4A
240V	1.2-3.7A	1.6-4.7A
277V	1.1-3.2A	1.4-4.1A

**OCV:** 400-480V

**SHORT CKT SEC.:** 4.7-8.0A