

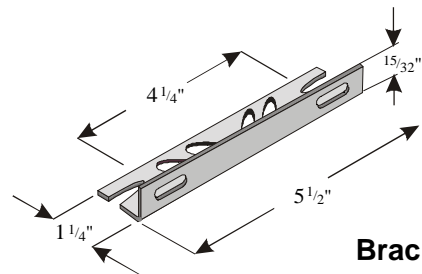
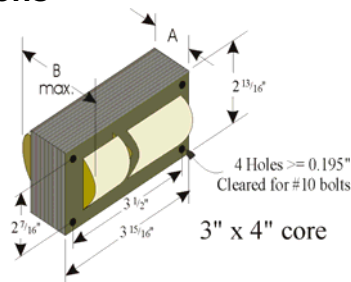


# HID BALLAST KIT



Model No:	<b>1XUF4</b>				CAPACITOR (Required)			
Input Voltage	120	208	240	277	Capacitance	14 $\mu$ F $\pm$ 3%		
Operating Current	HPF	1.6	0.9	0.8	0.7	Minimum Volts	280V	
Open Circuit Current		2.8	1.5	1.3	1.2	Dry	Diameter	1.6"
Lamp Starting Current		4.1	4.1	4.2	4.1		Height	2.7"
Lamp ACF		1.5	1.5	1.5	1.5	Ballast Type	High Pressure Sodium	
Recommended Fuse		8	5	5	5	Lamp	150W S-55	
UL 1029 Bench Top Rise		B	B	B	B	Circuit Type	HX-HPF with capacitor	
Input Power	175W							
Power Factor	$\geq$ 90% w/ Cap.							
Open Circuit Voltage	115 (110 ~ 130)				Ignitor (Required)			
Short Circuit Current (Sec.)	3.5 – 5.4 A				Igniter Model	#HPSR1		
Insulation System	Class H, 180° C				Pulse Height (kV)	2.5 ~ 4.0		
Ballast Dimension	A	2.6"			Pulse Width ( $\geq$ $\mu$ s)	1.0		
	B	3.9"						
Ballast Net Weight	7.6 lbs.				Min. Starting Temp.	-40° F / -40° C		
Leads	12"-Cross Link Polyolefin				Regulation	Industry Standard		

## Dimensions



**Bracket Kit**



# HID BALLAST KIT



**1XUF4**  
**4HPS150HXSC**



1 1 XUF4

Mfg. for Grainger International Inc.  
Lake Forest, IL 60045  
Made in China

## High Pressure Sodium 150W

Quad Tap - 60Hz. 120V/208V/240V/277V

Current Rating: HPF 1.6A/0.9A/0.8A/0.7A

For: 1-150Watt S-55 Lamp

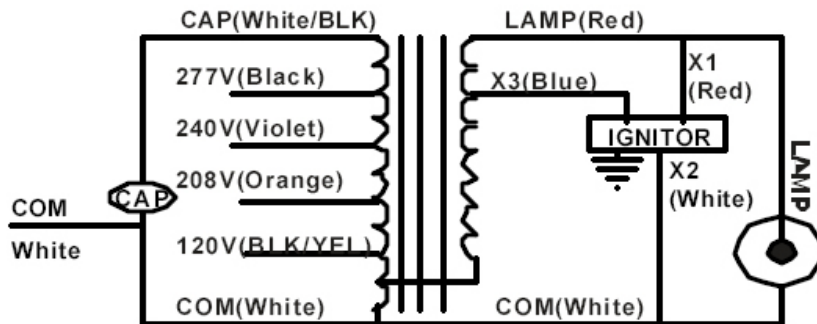
O.C.V. - 115V HIGH POWER FACTOR

CAP: 14mfd 280V

CLASS H, 180°C INSULATION SYSTEM-1029B

HX-HPF AUTO TRANSFORMER BALLAST

Install in accordance with National and Local Electrical Codes



Ground Ballast Core and Metallic Capacitor Case

### FIXTURE TEST DATA: INPUT CURRENT

VOLTAGE	OPEN CIRCUIT	SHORT CIRCUIT
120V	1.4-4.1A	0.8-2.5A
208V	0.8-2.3A	0.4-1.3A
240V	0.7-2.0A	0.4-1.1A
277V	0.6-1.7A	0.3-1.0A

OCV: 110-130V

SHORT CKT SEC.: 3.5-5.4A