

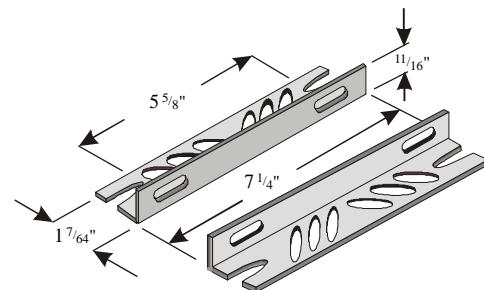
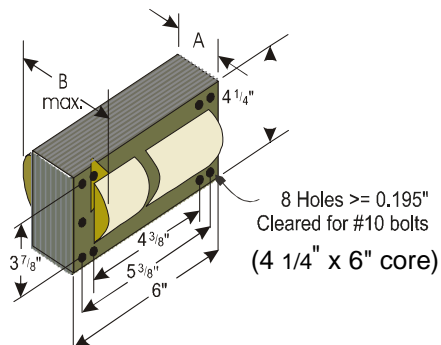


HID BALLAST KIT



Model No:	1XUE6	Capacitance	24 μ F \pm 3%	
Input Voltage	120/208/240/277/480V	Minimum Volts	480V	
Frequency	60Hz			
Circuit Type	CWA			
Input Power	1070W	Oil	A	1.77"
Power Factor	\geq 90%		B	2.80"
Operating Current	9.3/5.5/4.7/4.2/2.5 A		Height	3.94"
Open Circuit Voltage	430	Case Max. Temperature	90°C	
Short Circuit Current (Sec.)	4.80 - 6.80 A	Ignitor	-	
Recommended Fuse	25/15/15/10/6A			
Insulation System	Class H, 180°C	Min. Starting Temp.	-20°F / -30°C	
A	2.83"	Weight	21 lbs.	
B	4.90"	Leads	12"-Cross Link Polyolefin	
UL 1029 Bench Top Rise Code	D/D/B/B/B	Regulation	\pm 5% Input Volts ~ \pm 5% Nom. Lamp Watts	
Ballast Type	Metal Halide / Mercury	Circuit Type	CWA	
Watts	1000W	Power Factor	\geq 90%	

Dimensions





HID BALLAST KIT



1XUE6
5MH/MV1000SC



1 1XUE6

mg. for Granger International Inc.
Lake Forest, IL 60045
Made in China

Metal Halide-Mercury Vapor 1000W

5Tap: - 60Hz. 120V/208V/240V/277V/480V

Current Ratings: 9.3A/5.4A/4.7A/4.1A/2.4A

For: 1-1000Watt M-47MHLamp or H-36MVLamp

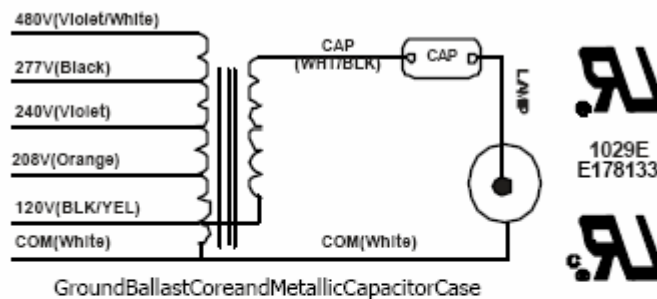
O.C.V.-457V HIGH POWER FACTOR

CAP: 24mfd 480V RDIS: max 2.10 megohms

CLASSH, 180°C INSULATION SYSTEM-1029E

CONSTANT WATTAGE AUTOTRANSFORMER

Install in Accordance with National and Local
Electrical Codes



FIXTURE TEST DATA: INPUT CURRENT

<u>VOLTAGE</u>	<u>OPEN CIRCUIT</u>	<u>SHORT CIRCUIT</u>
120V	2.6-7.9A	3.2-9.5A
208V	1.6-4.9A	1.9-5.6A
240V	1.5-4.4A	1.6-4.8A
277V	1.3-3.9A	1.4-4.2A
480V	0.8-2.4A	0.8-2.5A

OCV: 340-510V

SHORT CKT SEC.: 4.2-6.5A